



NORTH WEST NOORDWES

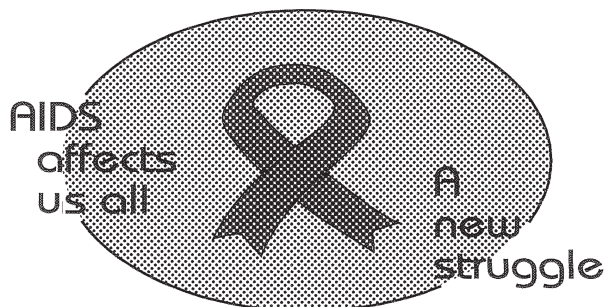
PROVINCIAL GAZETTE PROVINSIALE KOERANT

Vol: 266

MAHIKENG
12 September 2023
12 September 2023

No: 8576

We all have the power to prevent AIDS



**AIDS
HELPLINE**

0800 012 322

DEPARTMENT OF HEALTH

Prevention is the cure

N.B. The Government Printing Works will not be held responsible for the quality of "Hard Copies" or "Electronic Files" submitted for publication purposes

ISSN 1682-4539



9 771682 453002

0 8 5 7 6



IMPORTANT NOTICE:

THE GOVERNMENT PRINTING WORKS WILL NOT BE HELD RESPONSIBLE FOR ANY ERRORS THAT MIGHT OCCUR DUE TO THE SUBMISSION OF INCOMPLETE / INCORRECT / ILLEGIBLE COPY.

No FUTURE QUERIES WILL BE HANDLED IN CONNECTION WITH THE ABOVE.

Contents

<i>No.</i>		<i>Gazette No.</i>	<i>Page No.</i>
GENERAL NOTICES • ALGEMENE KENNISGEWINGS			
292	Rustenburg Local Municipality Spatial Planning and Land Use Management By-Law, 2018: Portion 18 of Erf 1174, Cashan Extension 12	8576	6
292	Rustenburg Plaaslike Munisipaliteit Ruimtelike Beplanning en Grondgebruikbestuur Verordening, 2018: Gedeelte 18 van Erf 1174, Cashan Uitbreiding 12	8576	7
293	City of Matlosana Spatial Planning and Land Use Management By-Law, 2016: Remaining Extent of the Farm Vogelstruisfontein 273 IP	8576	8
293	Stad Matlosana Plaaslike Munisipaliteit Ruimtelike Beplanning en Grondgebruikbestuur Verordening, 2016: Resterende Gedeelte van die Plaas Vogelstruisfontein 273 IP	8576	8
294	Madibeng Spatial Planning and Land Use Management By-Law, 2016: Erf 114, Meerhof	8576	9
294	Madibeng Ruimtelike Beplanning en Grondgebruiksbestuurs-Verordening, 2016: Erf 114, Meerhof	8576	9
PROVINCIAL NOTICES • PROVINSIALE KENNISGEWINGS			
642	Spatial Planning and Land Use Management Act ("SPLUMA") (16/2023): Erf 556, La Hoff Township	8576	10
642	Wet op Ruimtelike Beplanning en Grondgebruikbestuur ("SPLUMA") (16/2023): Erf 556, La Hoff Dorp	8576	10
643	Rustenburg Spatial Planning and Land Use Management By-Law, 2018: Remainder of Erf 862, Rustenburg	8576	11
643	Rustenburg Ruimtelike Beplanning en Grondgebruikbestuur Verordening, 2018: Restant van Erf 862, Rustenburg	8576	11
644	Rustenburg Local Municipality Spatial Planning and Land Use Management By-Law, 2018: Remaining Extent of Erf 298, Waterval East Extension 7	8576	12
644	Rustenburg Plaaslike Munisipaliteit Ruimtelike Beplanning en Grondgebruikbestuur Verordening, 2018: Erf 298, Waterval East Uitbreiding 7	8576	12
645	City of Matlosana Spatial Planning and Land Use Management By-law on Spatial Planning and Land Use Management, 2016: Remainder of Erf 141 and Erf 131, Uraniaville	8576	13
645	"City of Matlosana Spatial Planning and Land Use Management By-law on Spatial Planning and Land Use Management, 2016:" Restant van Erf 141 en Erf 131, Uraniaville	8576	14
649	Spatial Planning and Land Use Management Act ("SPLUMA"), 2013 (Act 16 of 2013): Erf 918, Wilkoppies X18 Township	8576	15
649	Wet op Ruimtelike Beplanning en Grondgebruikbestuur ("SPLUMA"), 2013 (Wet 16 van 2013): Erf 918, Wilkoppies X 18 Dorp	8576	15
650	Spatial Planning and Land Use Management Act ("SPLUMA"), 2013 (Act 16 of 2013): Portion 256 (a Portion of Portion 59) of the farm Elandsheuvel 402, Registration Division I.P., North-West Province	8576	16
650	Wet op Ruimtelike Beplanning en Grondgebruikbestuur ("SPLUMA"), 2013 (Wet 16 van 2013): Gedeelte 256 ("n Gedeelte van Gedeelte 59) van die plaas Elandsheuvel 402, Registrasie Afdeling I.P., Noord-Wes Provinsie	8576	16
651	Rustenburg Local Municipality Spatial Planning and Land Use Management By-Law, 2018: Portion 2 of Erf 1336 Rustenburg Township	8576	17
651	Rustenburg Plaaslike Munisipaliteit Ruimtelike Beplanning en Grondgebruikbestuur Verordening, 2018: Gedeelte 2 van Erf 1336, Rustenburg	8576	17
652	Rustenburg Local Municipality Spatial Planning and Land Use Management By-Law, 2018: Portion 4 of Erf 1125, Rustenburg	8576	18
652	Rustenburg Ruimtelike Beplanning en Grondgebruikbestuur volgens wet 2018: Gedeelte 4 van Erf 1125, Rustenburg	8576	18
LOCAL AUTHORITY NOTICES • PLAASLIKE OWERHEIDS KENNISGEWINGS			
402	Madibeng Local Municipality Spatial Planning and Land Use Management By-Law, 2016: Erf 5394, Brits Extension 156	8576	19
402	Madibeng Local Municipality Spatial Planning and Land Use Management By-Law, 2016: Erf 5394, Brits Uitbreiding 156	8576	19
404	Tlokwe City Council Spatial Planning and Land Use Management By-Law (2015): Remainder of Portion 7 of the Farm Droogespruit No. 416, I.P. Division	8576	20
404	Tlokwe Stadsraad Ruimtelike Beplanning en Grondgebruikbestuur By Wet (2015): Restant van Gedeelte 7 van die Plaas Droogespruit No. 416, I.P. Afdeling	8576	20
405	Town-planning and Townships Ordinance, 1986 (Ordinance 15 of 1986): Portions 1 to 3 of Erf 3256, Portions 1 to 370 of Erf 3257, Portions 1 to 155 of Erf,3258 and Portions 1 to 379 of Erf3259, Bokamoso Extension 1		

	township	8576	21
405	Ordonnansie op Dorpsbeplanning en Dorpe (Ordonnansie 15 van 1986): Gedeeltes 1 tot 3 van Erf 3256, Gedeeltes 1 tot 370 van Erf 3257, 1 tot 156 van Erf 3258 en Gedeeltes 1 tot 379 van Erf 3259, dorp Bokamoso Uitbreiding 1	8576	21
406	Tlokwe City Council Spatial Planning and Land Use Management By-Law, 2015: Rezoning of Portion 1 of Erf 1109, Potchefstroom	8576	22
406	Tlokwe Stadsraad Ruimtelike Beplanning en Grondgebruikbestuurskema Verordening 2015: Hersonerings van Gedeelte 1 van Erf 1109, Potchefstroom	8576	22
407	Tlokwe City Council Spatial Planning and Land Use Management By-Law, 2015: Rezoning of Portion 1 of Erf 1095, Potchefstroom	8576	23
407	Tlokwe Stadsraad Ruimtelike Beplanning en Grondgebruikbestuurskema Verordening 2015: Hersonerings van Gedeelte 1 van Erf 1095, Potchefstroom	8576	23
408	Tlokwe City Council Spatial Planning and Land Use Management By-Law, 2015: Rezoning of Portion 2 of Erf 1771, Potchefstroom Extension 8.....	8576	24
408	Tlokwe Stadsraad Ruimtelike Beplanning en Grondgebruikbestuurskema Verordening 2015: Hersonerings van Gedeelte 2 van Erf 1771, Potchefstroom Uitbreiding 8	8576	24
409	Local Government Municipal Systems Act, 2000, as amended: City of Matlosana By-Laws relating to the building control matters in the Municipal Area.....	8576	25
410	Town-Planning and Townships Ordinance, 1986: Rezoning of Erf 652, Flamwood Extension 2.....	8576	67
410	Ordonnansie op Dorpsbeplanning en Dorpe, 1986: Hersonerings van Erf 652, Flamwood Uitbreiding 2	8576	67
411	Town-Planning and Townships Ordinance 15 of 1986: Rezoning of Erf 843, Ellaton	8576	68
411	Ordonnansie op Dorpsbeplanning en Dorpe 15 van 1986: Hersonerings van Erf 843, Ellaton	8576	68
412	Town-Planning and Townships Ordinance, 1986: Rezoning of Portion 1 of Erf 246, Uraniaville; and Portion 1 and Portion 2 of Erf 392, Uraniaville (Erf 191 and Erf 192, Uraniaville).....	8576	69
412	Ordonnansie op Dorpsbeplanning en Dorpe, 1986: Hersonerings van Gedeelte 1 van Erf 246, Uraniaville; en Gedeelte 1 en Gedeelte 2 van Erf 392, Uraniaville (Erf 191 en Erf 192, Uraniaville).....	8576	69
413	Town-Planning and Townships Ordinance, 1986: Rezoning of the Remainder of Portion 15 (a Portion of Portion 1), the Remainder of Portion 19 (a Portion of Portion 15), a Portion of Portion 45 (a Portion of Portion 19) and a Portion of Portion 46 (a Portion of Portion 18) of the Goedgenoeg 433IP	8576	70
413	Ordonnansie op Dorpsbeplanning en Dorpe, 1986: Hersonerings van die Restant van Gedeelte 15 ('n Gedeelte van Gedeelte 1), die Restant van Gedeelte 19 ('n Gedeelte van Gedeelte 15), 'n Gedeelte van Gedeelte 45 ('n Gedeelte van Gedeelte 19) en 'n Gedeelte van Gedeelte 46 ('n Gedeelte van Gedeelte 18) van die Plaas Goedgenoeg 433IP	8576	70
414	Town-Planning and Townships Ordinance, 1986: Rezoning of Portion 1 of Erf 217, Flamwood	8576	71
414	Ordonnansie op Dorpsbeplanning en Dorpe, 1986: Hersonerings van Gedeelte 1 van Erf 217, Flamwood	8576	71
415	Town-Planning and Townships Ordinance, 1986: Rezoning of the Remainder of Holding 49, Wilkoppies Agricultural Holdings	8576	72
415	Ordonnansie op Dorpsbeplanning en Dorpe, 1986: Hersonerings van die Restant van Hoewe 49, Wilkoppies Landbouhoewes	8576	72
416	Town-Planning and Townships Ordinance, 1986: Rezoning of a Portion of the Remainder of Portion 1 of the Farm Townlands 424IP	8576	73
416	Ordonnansie op Dorpsbeplanning en Dorpe, 1986: Hersonerings van 'n Gedeelte van die Restant van Gedeelte 1 van die Plaas Townlands 424IP.....	8576	73
417	Town-Planning and Townships Ordinance, 1986: Rezoning of Erf 11268, Jouberton, Extension 6	8576	74
417	Ordonnansie op Dorpsbeplanning en Dorpe, 1986: Hersonerings van Erf 11268, Jouberton, Uitbreiding 6	8576	74
418	Town-Planning and Townships Ordinance, 1986: Rezoning of Erf 217, Declercqville	8576	75
418	Ordonnansie op Dorpsbeplanning en Dorpe, 1986: Hersonerings van Erf 217, Declercqville	8576	75
419	Town-Planning and Townships Ordinance, 1986: Rezoning of Portion 1 of Erf 779, Flamwood	8576	76
419	Ordonnansie op Dorpsbeplanning en Dorpe, 1986: Hersonerings van Gedeelte 1 van Erf 779, Flamwood.....	8576	76
420	Town-Planning and Townships Ordinance, 1986: Rezoning of Portion 606 (Portion of Portion 1) of the Farm Townlands 424IP	8576	77
420	Ordonnansie op Dorpsbeplanning en Dorpe, 1986: Hersonerings van Gedeelte 606 (Gedeelte van Gedeelte 1) van die Plaas Townlands 424IP	8576	77
421	Town-Planning and Townships Ordinance, 1986: Rezoning of Erf 900, Stilfontein, Extension 2	8576	78
421	Ordonnansie op Dorpsbeplanning en Dorpe, 1986: Hersonerings van Erf 900, Stilfontein, Uitbreiding 2	8576	78
422	Town-Planning and Townships Ordinance, 1986: Rezoning of Portion 589 and Portion 592 of the Farm Elandsheuvel 402IP	8576	79
422	Ordonnansie op Dorpsbeplanning en Dorpe, 1986: Hersonerings van Gedeelte 589 and Gedeelte 592 van die Plaas Elandsheuvel 402IP	8576	79
423	Town-Planning and Townships Ordinance 15 of 1986: Erf 938, Erf 943 and Erf 944, Boetrand	8576	80
423	Ordonnansie op Dorpsbeplanning en Dorpe 15 van 1986: Erf 938, Erf 943 en Erf 944, Boetrand	8576	80
424	Town-Planning and Townships Ordinance 15 of 1986: Portions 1 to 15 of Erf 616, Portion 18 of Erf 616 and Portion 19 of Erf 616, Ellaton	8576	81
424	Ordonnansie op Dorpsbeplanning en Dorpe 15 van 1986: Gedeeltes 1 tot 15 van Erf 616, Gedeelte 18 van Erf 616 en Gedeelte 19 van Erf 616, Ellaton	8576	81
425	Town-Planning and Townships Ordinance, 1986: Rezoning of Erf 302, Flamwood; and Erf 1251, Flamwood, Extension 7	8576	82
425	Ordonnansie op Dorpsbeplanning en Dorpe, 1986: Hersonerings van Erf 302, Flamwood; en Erf 1251, Flamwood, Extension 7	8576	82
426	Town-Planning and Townships Ordinance, 1986: Rezoning of Portions 1 to 8 of Erf 564, Flimieda; and Portion 9 of Erf 564, Flimieda	8576	83
426	Ordonnansie op Dorpsbeplanning en Dorpe, 1986: Hersonerings van Gedeeltes 1 tot 8 van Erf 564, Flimieda; en Gedeelte 9 van Erf 564, Flimieda	8576	83
427	Town-Planning and Townships Ordinance, 1986: Rezoning of the Remainder of Erf 412, Freemanville	8576	84

427	Ordonnansie op Dorpsbeplanning en Dorpe, 1986: Hersonerings van die Restant van Erf 412, Freemanville ..	8576	84
428	Town-Planning and Townships Ordinance, 1986: Rezoning of Portion 1 of Erf 6142, Jouberton, Extension 10; Portions 2 to 45 of Erf 6142, Jouberton, Extension 10; and Portions 47 to 49 of Erf 6142, Jouberton, Extension 10	8576	85
428	Ordonnansie op Dorpsbeplanning en Dorpe, 1986: Hersonerings van Gedeelte 1 van Erf 6142, Jouberton, Uitbreiding 10; Gedeeltes 2 tot 45 van Erf 6142, Jouberton, Uitbreiding 10; en Gedeeltes 47 tot 49 van Erf 6142, Jouberton, Uitbreiding 10	8576	85
429	Town-Planning and Townships Ordinance, 1986: Rezoning of Erf 11349, Erf 11351, Erf 11354 and Erf 11355 Kanana, Extension 10; and Erf 11350 and Erf 11353, Kanana, Extension 10	8576	86
429	Ordonnansie op Dorpsbeplanning en Dorpe, 1986: Hersonerings van Erf 11349, Erf 11351, Erf 11354 en Erf 11355 Kanana, Uitbreiding 10; Erf 11350 en Erf 11353, Kanana, Uitbreiding 10	8576	86
430	Town-Planning and Townships Ordinance, 1986: Rezoning of Portion 1 and Portion 2 of Erf 1251, La Hoff; Portion 3 of Erf 1251, La Hoff; Portions 1 to 15 of Erf 1253, La Hoff; and Portion 16 of Erf 1253, La Hoff	8576	87
430	Ordonnansie op Dorpsbeplanning en Dorpe, 1986: Hersonerings van Gedeelte 1 en Gedeelte 2 van Erf 1251, La Hoff; Gedeelte 3 van Erf 1251, La Hoff; Gedeeltes 1 tot 15 van Erf 1253, La Hoff; en Gedeelte 16 van Erf 1253, La Hoff	8576	87
431	Town-Planning and Townships Ordinance, 1986: Rezoning of Erf 473, Wilkoppies, Extension 4	8576	88
431	Ordonnansie op Dorpsbeplanning en Dorpe, 1986: Hersonerings van 'n Erf 473, Wilkoppies, Uitbreiding 4	8576	88
432	Town-Planning and Townships Ordinance, 1986: Rezoning of a Portion of Erf 28510, Jouberton, Extension 24	8576	89
432	Ordonnansie op Dorpsbeplanning en Dorpe, 1986: Hersonerings van 'n Gedeelte van Erf 28510, Jouberton, Uitbreiding 24	8576	89
433	Town-Planning and Townships Ordinance, 1986: Rezoning of Erf 1611, Klerksdorp, Extension 8	8576	90
433	Ordonnansie op Dorpsbeplanning en Dorpe, 1986: Hersonerings van Erf 1161, Klerksdorp, Uitbreiding 8	8576	90
434	Town-Planning and Townships Ordinance, 1986: Rezoning of Erf 678, Flamwood, Extension 2	8576	91
434	Ordonnansie op Dorpsbeplanning en Dorpe, 1986: Hersonerings van Erf 678, Flamwood, Uitbreiding 2	8576	91
435	Town-Planning and Townships Ordinance, 1986: Rezoning of Erf 121, Flamwood	8576	92
435	Ordonnansie op Dorpsbeplanning en Dorpe, 1986: Hersonerings van Erf 121, Flamwood	8576	92
436	Town-Planning and Townships Ordinance, 1986: Rezoning of a Portion of the Remainder of Portion 1 of the Farm Townlands 424IP	8576	93
436	Ordonnansie op Dorpsbeplanning en Dorpe, 1986: Hersonerings van 'n Gedeelte van die Restant van Gedeelte 1 van die Plaas Townlands 424IP	8576	93
437	Town-Planning and Townships Ordinance, 1986: Rezoning of Erf 382, Meiringspark	8576	94
437	Ordonnansie op Dorpsbeplanning en Dorpe, 1986: Hersonerings van Erf 382, Meiringspark	8576	94
438	Town-Planning and Townships Ordinance, 1986: Rezoning of Erf 194, Elandia, Extension 4	8576	95
438	Ordonnansie op Dorpsbeplanning en Dorpe, 1986: Hersonerings van Erf 194, Elandia, Uitbreiding 4	8576	95
439	Town-Planning and Townships Ordinance, 1986: Rezoning of Erf 382, Flamwood, Extension 1	8576	96
439	Ordonnansie op Dorpsbeplanning en Dorpe, 1986: Hersonerings van Erf 382, Flamwood, Uitbreiding 1	8576	96
440	Town-Planning and Townships Ordinance, 1986: Rezoning of Erf 20 and Erf 21, Stilfontein	8576	97
440	Ordonnansie op Dorpsbeplanning en Dorpe, 1986: Hersonerings van Erf 20 and Erf 21, Stilfontein	8576	97
441	Town-Planning and Townships Ordinance, 1986: Rezoning of a Portion of the Remainder of Portion 15 of the Farm Wildebeestpan 442IP	8576	98
441	Ordonnansie op Dorpsbeplanning en Dorpe, 1986: Hersonerings van 'n Gedeelte van die Restant van Gedeelte 15 van die Plaas Wildebeestpan 442IP	8576	98
442	Town-Planning and Townships Ordinance, 1986: Rezoning of Erf 45, Flamwood	8576	99
442	Ordonnansie op Dorpsbeplanning en Dorpe, 1986: Hersonerings van Erf 45, Flamwood	8576	99

Closing times for **ORDINARY WEEKLY** **2023** **NORTHWEST PROVINCIAL GAZETTE**

The closing time is **15:00** sharp on the following days:

- **23 December 2022**, Friday for the issue of Tuesday **03 January 2023**
- **03 January**, Tuesday for the issue of Tuesday **10 January 2023**
- **10 January**, Tuesday for the issue of Tuesday **17 January 2023**
- **17 January**, Tuesday for the issue of Tuesday **24 January 2023**
- **24 January**, Tuesday for the issue of Tuesday **31 January 2023**
- **31 January**, Tuesday for the issue of Tuesday **07 February 2023**
- **07 February**, Tuesday for the issue of Tuesday **14 February 2023**
- **14 February**, Tuesday for the issue of Tuesday **21 February 2023**
- **21 February**, Tuesday for the issue of Tuesday **28 February 2023**
- **28 February**, Tuesday for the issue of Tuesday **07 March 2023**
- **07 March**, Tuesday for the issue of Tuesday **14 March 2023**
- **14 March**, Tuesday for the issue of Tuesday **21 March 2023**
- **20 March**, Monday for the issue of Tuesday **28 March 2023**
- **28 March**, Tuesday for the issue of Tuesday **04 April 2023**
- **31 March**, Friday for the issue of Tuesday **11 April 2023**
- **11 April**, Tuesday for the issue of Tuesday **18 April 2023**
- **18 April**, Tuesday for the issue of Tuesday **25 April 2023**
- **21 April**, Friday for the issue of Tuesday **02 May 2023**
- **02 May**, Tuesday for the issue of Tuesday **09 May 2023**
- **09 May**, Tuesday for the issue of Tuesday **16 May 2023**
- **16 May**, Tuesday for the issue of Tuesday **23 May 2023**
- **23 May**, Tuesday for the issue of Tuesday **30 May 2023**
- **30 May**, Tuesday for the issue of Tuesday **06 June 2023**
- **06 June**, Tuesday for the issue of Tuesday **13 June 2023**
- **12 June**, Monday for the issue of Tuesday **20 June 2023**
- **20 June**, Tuesday for the issue of Tuesday **27 June 2023**
- **27 June**, Tuesday for the issue of Tuesday **04 July 2023**
- **04 July**, Tuesday for the issue of Tuesday **11 July 2023**
- **11 July**, Tuesday for the issue of Tuesday **18 July 2023**
- **18 July**, Tuesday for the issue Tuesday **25 July 2023**
- **25 July**, Tuesday for the issue Tuesday **01 August 2023**
- **01 August**, Tuesday for the issue of Tuesday **08 August 2023**
- **07 August**, Monday for the issue of Tuesday **15 August 2023**
- **15 August**, Tuesday for the issue of Tuesday **22 August 2023**
- **22 August**, Tuesday for the issue of Tuesday **29 August 2023**
- **29 August**, Tuesday for the issue of Tuesday **05 September 2023**
- **05 September**, Tuesday for the issue of Tuesday **12 September 2023**
- **12 September**, Tuesday for the issue of Tuesday **19 September 2023**
- **18 September**, Monday for the issue of Tuesday **26 September 2023**
- **26 September**, Tuesday for the issue of Tuesday **03 October 2023**
- **03 October**, Tuesday for the issue of Tuesday **10 October 2023**
- **10 October**, Tuesday for the issue of Tuesday **17 October 2023**
- **17 October**, Tuesday for the issue of Tuesday **24 October 2023**
- **24 October**, Tuesday for the issue of Tuesday **31 October 2023**
- **31 October**, Tuesday for the issue of Tuesday **07 November 2023**
- **07 November**, Tuesday for the issue of Tuesday **14 November 2023**
- **14 November**, Tuesday for the issue of Tuesday **21 November 2023**
- **21 November**, Tuesday for the issue of Tuesday **28 November 2023**
- **28 November**, Tuesday for the issue of Tuesday **05 December 2023**
- **05 December**, Tuesday for the issue of Tuesday **12 December 2023**
- **12 December**, Tuesday for the issue of Tuesday **19 December 2023**
- **18 December**, Monday for the issue of Tuesday **26 December 2023**

GENERAL NOTICES • ALGEMENE KENNISGEWINGS**GENERAL NOTICE 292 OF 2023****NOTICE IN TERMS OF SECTION 17(1) OF THE RUSTENBURG LOCAL MUNICIPALITY SPATIAL PLANNING AND LAND USE MANAGEMENT BY-LAW, 2018 FOR A CHANGE OF LAND USE RIGHTS KNOWN AS A REZONING**

We, Origin Town and Regional Planning (Pty) Ltd, being the applicant of Portion 18 of Erf 1174 Cashan Extension 12 hereby give notice in terms of Section 17(1)(d) of the Rustenburg Local Municipality Spatial Planning and Land Use Management By-Law, 2018, that we have applied to the Rustenburg Local Municipality for amendment of land use rights, also known as rezoning of the property described above, situated on the corner of Gareth Roberts Avenue and Augrabies Avenue, Cashan, Rustenburg, from "Special" to "Special".

This application contains the following proposals:

- (a) The proposed rezoning of the above-mentioned property is from "Special" for the purposes of shops, public garages (fuelling of vehicles excluded), place of refreshment, hotel/motel, offices, show rooms (Retail and display areas of merchandises) and nursery to "Special" for purposes of shops, public garages (fuelling of vehicles excluded), place of refreshment, hotel/motel, offices, show rooms (Retail and display areas of merchandises), nursery and liquor enterprise (*only addition*) as described in Annexure 3255, which accompanies the application.
- (b) Adjacent Portions 1, Remainder of Portion 4, 5, 6, 9, 10, 13, 14 and 15 of Erf 1174, Cashan Extension 12 could possibly be affected by the proposed rezoning of the above-mentioned property.
- (c) The rezoning entails obtaining the necessary land use rights to accommodate various land uses as mentioned above with a height, floor area ratio and coverage specified by a Site Development Plan.

Any objection or comments, with the grounds therefore and contact details, shall be lodged within a period of 28 days from the first date on which the notice appeared, with or made in writing to the Municipality at: Room 319, Missionary Mpheni House, corner of Nelson Mandela- and Beyers Naude Drive, Rustenburg or P.O. Box 16, Rustenburg, 0300.

Full particulars and plans (if any) may be inspected during normal office hours at the above-mentioned offices, for a period of 28 days from the date of first publication of the advertisement in the Provincial Gazette, Beeld and The Star Newspapers and/or Site Notice.

Closing date for any objections: 3 October 2023.

Address of applicant: 306 Melk Street, Nieuw Muckleneuk, 0181, Pretoria, P.O. Box 2162, Brooklyn Square, 0075.

Telephone No: 012 346 3735 or Fax 012 346 4217. E-mail: plan@origintrp.co.za

Dates on which notice will be published: 5 September 2023 and 12 September 2023.

Amendment Scheme and Annexure Number: 3255

5-12

ALGEMENE KENNISGEWING 292 VAN 2023**KENNISGEWING INGEVOLGE ARTIKEL 17(1) VAN DIE RUSTENBURG PLAASLIKE MUNISIPALITEIT
RUIMTELIKE BEPLANNING EN GRONDGEBRUIK BESTUUR BY-WET, 2018 VIR 'N VERANDERING VAN
GRONDGEBRUIKSREGTE BEKEND AS 'N HERSONERING**

Ons, Origin Stads en Streeksbeplanning (Edms) Bpk, synde die applikant van Gedeelte 18 van Erf 1174, Cashan Uitbreiding 12 gee hiermee ingevolge artikel 18(1)(d) van die Rustenburg Plaaslike Munisipaliteit Ruimtelike Beplanning en Grond Gebruik Bestuur By-Wet, 2018, kennis dat ons aansoek gedoen het by die Rustenburg Plaaslike Munisipaliteit vir wysiging van grondgebruiksregte ook bekend as hersonering van die eiendom hierbo beskryf, geleë op die hoek van Gareth Roberts Laan en Augrabies Laan, Cashan, Rustenburg, vanaf "Spesiaal" na "Spesiaal".

Hierdie aansoek bevat die volgende voorstelle:

- (a) Die voorgestelde hersonering van die bogeëomde eiendom vanaf "Spesiaal" vir die doeleindes van winkels, openbare motorhawe (voorsiening van brandstof vir voertuie uitgesluit), verversingsplek, hotel/motel, kantore vertoonlokale (kleinhandel en vertoon areas van goedere) en kwekery na "Spesiaal" vir die doeleindes van winkels, openbare motorhawe (voorsiening van brandstof vir voertuie uitgesluit), verversingsplek, hotel/motel, kantore vertoonlokale (kleinhandel en vertoon areas van goedere), kwekery en drankonderneming (enigste byvoeging) soos omskryf in Bylaag 3255, wat die aansoek vergesel.
- (b) Aangrensende Gedeeltes 1, Restant van Gedeelte 4, 5, 6, 9, 10, 13, 14 en 15 van Erf 1174 Cashan Uitbreiding 12 mag moontlik geraak word deur die voorgestelde hersonering van die bogeëomde eiendom.
- (c) Die hersonering behels die verkryging van die grondgebruiksregte om verskeie gebruike te akkommodeer soos hierbo genoem met 'n hoogte, vloer ruimte verhouding en dekking wat op 'n terreinontwikkelingsplan gespesifiseer word.

Enige besware of kommentaar, met die gronde daarvoor en kontakbesonderhede, moet binne 'n tydperk van 28 dae vanaf die eerste datum waarop die kennisgewing verskyn, skriftelik by die Munisipaliteit ingedien word te Kamer 319, Missionary Mpheni Huis, hoek van Nelson Mandela - en Beyers Naude Rylaan, Rustenburg of gestuur word aan Posbus 16, Rustenburg, 0300.

Volledige besonderhede en planne (as daar is) kan gedurende gewone kantoorure by die bogeëomde kantoor besigtig word vir 'n tydperk van 28 dae vanaf die datum van eerste publikasie van die advertensie in die Provinsiale Koerant, Beeld en The Star Koerante en/of terreinkennisgewing.

Sluitingsdatum vir enige besware: 3 Oktober 2023.

Adres van Applikant: 306 Melk straat, Nieuw Muckleneuk, 0181, Pretoria, Posbus 2162, Brooklyn Square, 0075.

Telefoon nr: 012 346 3735 of faks 012 346 4217. E-pos: plan@origintrp.co.za

Datums waarop kennisgewing gepubliseer sal word: 5 September 2023 en 12 September 2023

Wysigingskema and Bylaag Nommer: 3255

5-12

GENERAL NOTICE 293 OF 2023**NOTICE OF AN APPLICATION FOR A TOWNSHIP ESTABLISHMENT IN TERMS OF SECTION 94(2) OF THE CITY OF MATLOSANA LOCAL MUNICIPALITY SPATIAL PLANNING AND LAND USE MANAGEMENT BY-LAWS, 2016**

We Pfukani-Kusile Consulting being the authorized agent of the owner of **Remaining Extent of the Farm Vogelstruisfontein 273 IP** hereby give notice in terms of Section 94(2) of the City of Matlosana Local Municipality Spatial Planning and Land Use Management By-Law, 2016 read with the provision of the Spatial Planning and Land Use Management Act, 2013, that we have made an application to the City of Matlosana Local Municipality in terms of Section 56(1) of the City of Matlosana Local Municipality Spatial Planning and Land Use Management By-Laws, 2016 for a township establishment on a portion of the Remaining Extent of the farm Vogelstruisfontein 273 IP for the establishment of a mixed development of 2000 sites. The proposed site can be accessed from the unnamed road connecting to the R503 road from Hartebeesfontein.

Plans and/or particulars relating to the application may be inspected during normal office hours at Mr Tsunduka Shibiti/Mohammed Dambha office at the Department of Planning and Human Settlements, Cnr OR Tambo and Bram Fisher Street, Klerksdorp, 2571 for a period of 30 days from 05th September 2023. Objections to or representations in respect of the application may be lodged with or made in writing to the Department of Planning and Human Settlements at the above-mentioned address or email trshibiti@klerksdorp.org/mdambha@klerksdorp.org, within a period of 30 days from 05th September 2023. Any person who cannot write may during office hours attend at the above address where Mr Tsunduka Shibiti/Mohammed Dambha of the Municipality will assist to transcribe objections or comments.

Address of applicant: 128 Seventh Rd, Carlswald Close Office Park C3, Midrand, 1685

Telephone No: 010 010 9106

Dates on which notice will be published: 05 September 2023 & 12 September 2023

Closing date for any objections: 05 October 2023

5-12

ALGEMENE KENNISGEWING 293 VAN 2023**KENNISGEWING VAN 'N AANSOEK OM 'N DORPSESTIGING INGEVOLGE ARTIKEL 94(2) VAN DIE STAD MATLOSANA PLAASLIKE MUNISIPALITEIT RUIMTELIKE BEPLANNING EN GRONDGEBRUIKBESTUUR VERORDENINGE, 2016**

Ons Pfukani-Kusile Consulting, synde die gemagtigde agent van die eienaar van **Resterende Gedeelte van die Plaas Vogelstruisfontein 273 IP** gee hiermee kennis ingevolge Artikel 94(2) van die Stad Matlosana Plaaslike Munisipaliteit Ruimtelike Beplanning en Grondgebruikbestuur Verordening, 2016 gelees met die bepaling van die Wet op Ruimtelike Beplanning en Grondgebruikbestuur, 2013, dat ons 'n aansoek by die Stad Matlosana Plaaslike Munisipaliteit gerig het ingevolge Artikel 56(1) van die Stad Matlosana Plaaslike Munisipaliteit Ruimtelike Beplanning en Grondgebruikbestuur Verordeninge, 2016 vir 'n dorpstigting op 'n gedeelte van die Resterende Gedeelte van die plaas Vogelstruisfontein 273 IP vir die vestiging van 'n gemengde ontwikkeling van 2000 persele. Die voorgestelde terrein kan verkry word vanaf die naamlose pad wat vanaf Hartebeesfontein met die R503-pad verbind.

Planne en/of besonderhede met betrekking tot die aansoek kan gedurende gewone kantoorure by mnr Tsunduka Shibiti/Mohammed Dambha kantoor by die Departement van Beplanning en Menslike Nedersettings, Hv OR Tambo en Bram Fisherstraat, Klerksdorp, 2571 vir 'n tydperk van 30 dae besigtig word. vanaf 05 September 2023. Besware teen of verhoë ten opsigte van die aansoek kan binne 'n tydperk van 30 by die Departement van Beplanning en Menslike Nedersettings ingedien of skriftelik by die bogenoemde adres of e-pos aan trshibiti@klerksdorp.org/mdambha@klerksdorp.org gerig word. dae vanaf 05 September 2023. Enige persoon wat nie kan skryf nie, kan gedurende kantoor ure die bogenoemde adres bywoon waar mnr Tsunduka Shibiti/Mohammed Dambha van die Munisipaliteit sal help om besware of kommentaar te transkribeer.

Adres van aansoeker: 128 Seventh Rd, Carlswald Close Office Park C3, Midrand, 1685

Telefoonnommer: 010 010 9106

Datums waarop kennisgewing gepubliseer sal word: 05 September 2023 & 12 September 2023

Sluitingsdatum vir enige besware: 05 Oktober 2023

5-12

GENERAL NOTICE 294 OF 2023**NOTICE IN TERMS OF CLAUSE 57(3), 56 AND 86 OF THE MADIBENG SPATIAL PLANNING AND LAND USE MANAGEMENT BY-LAW, 2016, FOR APPLICATIONS SUBMITTED TO THE MADIBENG LOCAL MUNICIPALITY**

I, Jeff de Klerk, being the authorised agent of the owners of Erf 114, Meerhof, situated at 7 Findlay Road, Meerhof, hereby give notice that the following Applications have been submitted to the Madibeng Local Municipality:

- Application in terms of Clause 57(2) of the Madibeng Spatial Planning and Land Use Management By-law, 2016, for the removal of Condition (h) in Title Deed T014701/2022; and
- Application in terms of Clause 56 of the Madibeng Spatial Planning and Land Use Management By-law, 2016, for a change of land use rights also known as rezoning (amendment of the Hartbeespoort Town Planning Scheme, 1993, in operation) of the property described above, from "Residential 1" to "Special" for a Guest House, subject to height of 2 storeys, coverage of 60% and FAR of 1,2, subject to certain conditions, as detailed in the self-explanatory memorandum and proposed development controls form MLM:F/13.

Any objection or comments, with the grounds therefore and contact details, shall be lodged within a period of 32 days from 12 September 2023, with or made in writing to: The Municipal Manager at: Room 223, Second Floor, Municipal Offices, 53 Van Velden Street, Brits, or at PO Box 106, Brits, 0250.

Full particulars and plans (if any) may be inspected during normal office hours at the above-mentioned offices, for a period of 32 days from 12 September 2023.

Closing date for any objections and/or representations: 14 October 2023

Address of authorised agent: Jeff de Klerk, P O Box 105, Ifafi, 0260.

Telephone Number: 082 229 1151, jeffdeklerk01@gmail.com

Dates on which notice will be published: 12 September 2023 and 19 September 2023 (North West Provincial Gazette), and 14 September 2023 and 21 September 2023 (Kormorant).

12-19

ALGEMENE KENNISGEWING 294 VAN 2023**KENNISGEWING INGEVOLGE KLOUSULES 57(3), 56 EN 86 VAN DIE MADIBENG RUIMTELIKE BEPLANNING EN GRONDGEBRUIKSBESTUURS-VERORDENING, 2016, VIR AANSOEKE INGEDIEN BY DIE MADIBENG PLAASLIKE MUNISIPALITEIT**

Ek, Jeff de Klerk, synde die gemagtigde agent van die eienaars van Erf 114, Meerhof, geleë te Findlayweg 7, Meerhof, gee hiermee kennis dat die volgende Aansoeke by die Madibeng Plaaslike Munisipaliteit ingedien is:

- Aansoek ingevolge Klousule 57(2) van die Madibeng Ruimtelike Beplanning en Grondgebruiksbestuurs-verordening, 2016, vir die opheffing van Voorwaarde (h) in Titelakte T014701/2022: en
- Aansoek ingevolge Klousule 56 van die Madibeng Ruimtelike Beplanning en Grondgebruiksbestuurs-verordening, 2016, om die verandering van grondgebruiksreg ook bekend as hersonering (wysiging van die Hartbeespoort Dorpsbeplanningskema, 1993, in werking) van die eiendom hierbo beskryf, vanaf "Residensieel 1" na "Spesiaal" vir 'n Gastehuis, onderworpe aan hoogte van 2 verdiepings, dekking van 60% en VRV van 1,2, onderworpe aan sekere voorwaardes, soos uiteengesit in die selfverduidelikende memorandum en voorgestelde ontwikkelingsbeheermaatreels vorm MLM:F/13.

Besware of verhoë ten opsigte van die aansoek met die redes daarvoor tesame met kontakbesonderhede, moet binne 'n tydperk van 32 dae vanaf 12 September 2023 skriftelik ingedien word by of tot: Die Munisipale Bestuurder by: Kamer 223, Tweedevloer, Munisipale Kantore, Van Veldenstraat 53, Brits, of by Posbus 106, Brits, 0250.

Volle besonderhede van die aansoek lê ter insae gedurende gewone kantoorure by bogenoemde kantore, vir 'n tydperk van 32 dae vanaf 12 September 2023.

Sluitingsdatum vir enige besware en/of verhoë: 14 Oktober 2023

Adres van gemagtigde agent: Jeff de Klerk, Posbus 105, Ifafi, 0260, Telefoonnommer 082 229 1151, jeffdeklerk01@gmail.com

Publikasiedatums van kennisgewing: 12 September 2023 en 19 September 2023 (Noordwes Provinsiale Koerant), en, 14 September 2023 en 21 September 2023 (Kormorant).

12-19

PROVINCIAL NOTICES • PROVINSIALE KENNISGEWINGS

PROVINCIAL NOTICE 642 OF 2023

NOTICE TO ADJACENT OWNERS AND AFFECTED PARTIES RELATING TO A LAND DEVELOPMENT APPLICATION TO THE MATLOSANA LOCAL MUNICIPALITY FOR THE SIMULTANEOUS CHANGE OF LAND USE RIGHTS (ALSO REZONING) AND THE REMOVAL, AMENDMENT OR SUSPENSION OF RESTRICTIVE TITLE CONDITIONS IN THE TITLE DEED, I.R.O. ERF 556, LA HOFF TOWNSHIP, REGISTRATION DIVISION I.P., NORTH-WEST PROVINCE, SITUATED AT 14 BOSHOFF STREET (AMENDMENT SCHEME 1417, WITH SCHEDULE H). I, Alexander Edward van Breda, ID 620501 5073 08 2, being the authorized Agent of the Owner of Erf 556, La Hoff Township, Registration Division I.P., North-West Province ("the Property"), hereby give notice in terms of Sections 41(1)(a),(b) and 41(2)(d),(e) of the Spatial Planning and Land Use Management Act ("SPLUMA"), 2013, Act 16 of 2013, read with Sections 62(1), 63(2), 94(1)(a), 95(1), 96 and 97(1)(a) of the City of Matlosana Spatial Planning and Land Use Management By-law, 2016 ("SPLUMA By-law") and Sections 56(1)(b)(i) and 56(1)(b)(ii) of the Transvaal Town Planning and Township Ordinance, 1986 (Ordinance 15 of 1986), that I have applied to the City of Matlosana Local Municipality for the simultaneous amendment of the Klerksdorp Land Use Management Scheme ("the LUMS"), for a change of land use rights ("also rezoning") of the Property as well as for the removal, amendment, or suspension of restrictive title conditions, contained in the Title Deed pertaining to the Property. The intention of the application, as defined in Schedule H contains the following proposal: (A)The rezoning of the Property from "Residential 1" to "Residential 2": density of seven dwelling units; (B)The removal, amendment or suspension of conditions (k); (m)(i-ii) and (n) on pages 3 to 4 in Title Deed T78459/2005; (C)The following adjacent properties: Erven 553, 554, 555, 557, 558, 851, 854 and 855, La Hoff Township, as well as others in the vicinity of the Property could possibly be affected hereby; (D)The following development parameters will apply: density of seven (7) dwelling units, 70% coverage and two-story height restriction. Any objection or comments including the grounds pertaining thereto and contact detail, must be lodged within a period of 30 days from the date of first publication of the notice in the Provincial Gazette, Beeld and Citizen Newspapers, in writing during normal office hours to the Matlosana Local Municipality: Municipal offices, Records Section, Basement Floor, Klerksdorp, c/o Bram Fischer Street and OR Tambo Street, Klerksdorp Civic Centre or at the office of the Municipal Manager, PO Box 99, Klerksdorp, 2570. Any person who cannot write may during office hours attend at the address mentioned above where a named staff member of the Matlosana Local Municipality (Mr. Danny Selemoseng, 018 487 8365), will assist that person to transcribe that person's objections or comments. Full particulars of the Application and plans (if any) may be inspected and viewed during normal office hours at the above-mentioned offices, for a period of 30 days from the date of first publication of the notice in the Provincial Gazette, Beeld and Citizen Newspapers. Closing date for objections: 06 October 2023. Address of Applicant: A.E. van Breda, P.O. Box 3183, Freemanville, Klerksdorp, 2573, Telephone: 072 249 5400, vanbreda@lantic.net Publication dates of notice: 05 and 12 September 2023.

5-12

PROVINSIALE KENNISGEWING 642 VAN 2023

KENNISGEWING AAN AANLIGGENDE EIENAARS EN GEAFFEKTEERDE PARTYE RAKENDE 'N GRONDONTWIKKELINGSAANSOEK NA DIE MATLOSANA PLAASLIKE MUNISIPALITEIT VIR DIE GELYKTYDIGE VERANDERING VAN GRONDGEBRUIKSREGTE (OOK HERSONERING) EN OPHEFFING, WYSIGING OF OPSKORTING VAN BEPERKENDE TITELVOORWAARDES IN DIE TITELAKTE T.O.V. ERF 556, LA HOFF DORP, REGISTRASIE AFDELING I.P., PROVINSIE NOORD-WES, GELEE TE BOSHOFFSTRAAT 14 (WYSIGINGSKEMA 1417, MET SKEDULE H). Ek, Alexander Edward van Breda, ID 620501 5073 08 2, synde die gemagtigde Agent van die Eienaar van Erf 556, La Hoff Dorp, Registrasie Afdeling I.P., Noord-Wes Provinsie ("die Eiendom"), gee hiermee ingevolge die bepalings van Artikels 41(1)(a),(b) en 41(2)(d),(e) van die Wet op Ruimtelike Beplanning en Grondgebruikbestuur ("SPLUMA"), 2013 (Wet 16 van 2013), en Artikels 62(1), 63(2), 94(1)(a), 95(1), 96 en 97(1)(a) van die Stad van Matlosana Plaaslike Munisipaliteit se Ruimtelike Beplannings en Grondgebruikbestuurverordening, 2016 ("SPLUMA By-wet") en Artikels 56(1)(b)(i) en (ii) van die Transvaal Ordonansie op Dorpsbeplanning en Dorpe, 1986 (Ordonansie 15 van 1986), kennis dat ek by die Matlosana Plaaslike Munisipaliteit aansoek gedoen het vir die verandering van die grondgebruiksregte ("ook hersonering") van die Eiendom asook vir die opheffing, wysiging of opskorting van beperkende titelvoorwaardes soos vervat in die Titelakte van die Eiendom. Die voorneme en intensie van die aansoek, soos omskryf in Skedule H tot die Skema behels die volgende; (A)Hersonering die Eiendom vanaf "Residensieel 1" na "Residensieel 2" vir digtheid van sewe wooneenhede; (B)Die opheffing, wysiging of opskorting van beperkende titelvoorwaardes (k); (m)(i-ii) en (n) op bladsye 3 tot 4 in Titelakte T78459/2005; (C)Die volgende aangrensende eiendomme: Erwe 553, 554, 555, 557, 558, 851, 854 en 855, La Hoff Dorp asook eiendomme in die onmiddellike omgewing van die eiendom kan moontlik hierdeur geraak word; (D)Die volgende ontwikkelingsparameters sal geld: digtheid van sewe wooneenhede, 70% dekking en twee vloer hoogtebeperking. Enige besware teen of kommentaar, met gronde daarvoor asook kontakbesonderhede, moet skriftelik ingedien word binne n tydperk van 30 dae vanaf die datum van eerste publikasie van die kennisgewing in die Provinsiale Gazette, Beeld en Citizen Nuusblaai na die Matlosana Munisipaliteit: Die kantoor van die Munisipale Bestuurder, Rekordsafdeling, Kelderverdieping kantore, h/v Bram Fischerstraat en OR Tambostraat, en/of Posbus 99, Klerksdorp, 2570. Enige persoon wat nie kan skryf nie, mag tydens kantoorure bogenoemde adres besoek waartydens 'n aangewese amptenaar van die Matlosana Plaaslike Munisipaliteit (Mnr Danny Selemoseng: 018 487 8365) daardie persoon behulpsaam sal wees ten einde hul besware, kommentare of vertoe te transkribeer. Besonderhede van die Aansoek en planne (indien enige) is beskikbaar vir inspeksie en insae gedurende gewone kantoorure by die bovermelde kantore, vir n tydperk van 30 dae van die datum van eerste publikasie van die kennisgewing in die Provinsiale Gazette, Beeld en Citizen Nuusblaai. Sluitingsdatum vir besware: 06 Oktober 2023. Address van Applikant: A.E. van Breda, Posbus 3183, Freemanville, Klerksdorp, 2573, Telefoon: 072 249 5400, vanbreda@lantic.net. Publikasie datums van kennisgewing: 05 en 12 September 2023.

5-12

PROVINCIAL NOTICE 643 OF 2023**NOTICE OF APPLICATION FOR AMENDMENT SCHEME IN TERMS OF SECTION 17(1) OF THE RUSTENBURG SPATIAL PLANNING AND LAND USE MANAGEMENT BY LAW 2018 RUSTENBURG****AMENDMENT SCHEME 3259**

I, Sajiid Mahomed as the owner of **Remainder of Erf 862 Rustenburg**, Registration Division J.Q North West Province hereby give notice in terms of **Section 17(1)(d) of the Rustenburg Spatial Planning and Land Use Management By Law 2018**, that I have applied to the Rustenburg Local Municipality for the amendment of the Town Planning Scheme known as the Rustenburg Land Use Scheme 2018 by way of Rezoning the property described above from **“Residential 1” to “Special” for purposes of a Residential Building, Vehicle Sales Lot and Service Enterprise. defined in Annexure 3259 to the Scheme. This application contains the following proposals: A. The property shall be used entirely for the proposed. B. The adjacent properties and others in the area will be affected.C. The proposed rezoning has the following development parameters: Property size: 1428m², Maximum Height: 2 Storeys, Maximum Coverage: 50% Maximum FAR: 1.0 Parking: In terms of the Rustenburg Land Use Scheme 2022.**

Particulars of the application will lie for inspection during normal working hours at the office of the Municipal Manager Room 319 Missionary Mpheni House, Cnr of Nelson Mandela and Beyers Naude Streets Rustenburg for a period of 28 days from **05 September 2023**. Objections Municipal Manager at the abovementioned address or at P.O.BOX 16 Rustenburg 0300 within the specified date. The notice will be placed on the Subject property for a period of 28 days from the date of the first publication on the Provincial Gazette, Beeld and Citizen Newspapers. Publication dates: **5 and 12 September 2023**. Closing date for Objections: **2 October 2023**. Contact Address: 63 Thabo Mbeki street Rustenburg 0299,072 658 7038.

5-12

PROVINSIALE KENNISGEWING 643 VAN 2023**KENNISGEWING VAN AANSOEK OM WYSIGINGSKEMA INGEVOLGE ARTIKEL 17(1) VAN DIE RUSTENBURG RUIMTELIKE BEPLANNING EN GRONDGEBRUIKBESTUUR DEUR WET 2018 RUSTENBURG WYSIGINGSKEMA 3259**

Ek, Sajiid Mahomed as die eienaar van **Restant van Erf 862 Rustenburg**, Registrasie-afdeling J.Q Noordwes Provinsie gee hiermee kennis ingevolge Artikel 17(1)(d) van die Rustenburg Ruimtelike Beplanning en Grondgebruikbestuur deur Wet 2018, dat ek het het by die Rustenburg Plaaslike Munisipaliteit aansoek gedoen vir die wysiging van die Dorpsbeplanningskema bekend as die Rustenburg Grondgebruikskema 2018 deur die hersonering van die eiendom hierbo beskryf van **“Residensiële 1” na “Spesiaal” vir doeleindes van 'n Residensiële Gebou, Voertuigverkoopperseel en Diensonderneming, omskryf in Bylae 3259 tot die Skema. Hierdie aansoek bevat die volgende voorstelle: A. Die eiendom sal geheel en al vir die voorgestelde gebruik word. B. Die aangrensende eiendomme en ander in die area sal geraak word.C. Die voorgestelde hersonering het die volgende ontwikkelingsparameters: Eiendoms grootte: 1428m², Maksimum Hoogte: 2 Verdiepings, Maksimum Dekking: 50% Maksimum VER: 1.0 Parkering: Ingevolge die Rustenburg Grondgebruikskema 2022.**

Besonderhede van die aansoek le ter insae gedurende gewone werksure by die kantoor van die Munisipale Bestuurder Kamer 319 Sending Mpheni House, Hv Nelson Mandela- en Beyers Naudestraat Rustenburg vir 'n tydperk van 28 dae vanaf **05 September 2023**. Besware Munisipale Bestuurder by die bogenoemde adres of by Posbus 16 Rustenburg 0300 binne die gespesifiseerde datum. Die kennisgewing sal op die Onderwerpse eiendom geplaas word vir 'n tydperk van 28 dae vanaf die datum van die eerste publikasie op die Provinsiale Koerant, Beeld en Citizen Newspapers. Publikasiedatums: **5 en 12 September 2023**. Sluitingsdatum vir Besware: **2 Oktober 2023**. Kontakadres: Thabo Mbekistraat 63 Rustenburg 0299,072 658 7038.

5-12

PROVINCIAL NOTICE 644 OF 2023**NOTICE IN TERMS OF SECTION 17(1) OF THE RUSTENBURG LOCAL MUNICIPALITY SPATIAL PLANNING AND LAND USE MANAGEMENT BY-LAW, 2018 FOR A CHANGE OF LAND USE RIGHTS KNOWN AS A REZONING. RUSTENBURG AMENDMENT SCHEME 3261**

I Jan-Nolte Ekkerd of the firm NE Town Planning CC, being the authorised agent of the owner of Remaining Extent of Erf 298, Waterval East Extension 7, Registration Division J.Q., North West Province hereby give notice in terms of Section 17(1)(d) of the Rustenburg Local Municipality Spatial Planning and Land Use Management By-Law, 2018 that I have applied to the Rustenburg Local Municipality for a change of land use rights also known as rezoning of the properties described above, situated on Wall Street Waterval East Ext. 7 from "Special" for a motor dealership with certain ancillary rights to "Business 1" including vehicle workshops and distribution centres as defined in Annexure 3261 to the Scheme. This application contains the following proposals: A) that the property may be used for all land uses in terms of the "Business 1" zoning as well as vehicle workshops and distribution centres. B) The adjacent properties as well as others in the area, could possibly be affected by the rezoning. C) The rezoning from "Special" for a motor dealership with certain ancillary rights to "Business 1" including vehicle workshops and distribution centres entails that new buildings will be built and used for the above mentioned purposes. Annexure 3261 contains the following development parameters: Max Coverage: 80%, Max Height: 6 storeys, and Max F.A.R: 0.5. Any objection or comments, with the grounds therefore and contact details, shall be lodged within a period of 28 days from the first date on which the notice appeared, with or made in writing to: Municipality at: Room 319, Missionary Mpheni House, cnr. Nelson Mandela and Beyers Naude Drives, Rustenburg, or to PO Box 16, Rustenburg 0300. Full particulars and plans (if any) may be inspected during normal office hours at the above-mentioned offices, for a period of 28 days from the date of first publication of the advertisement in the Provincial Gazette, Beeld and Citizen and/or Site Notice. Closing date for any objections: 3 October 2023. Address of applicant: NE Town Planning CC, 155 Kock Street, Suite 203, De Dak, Rustenburg 0299 or P.O. Box 21139, PROTEA PARK, 0305; Telephone No: 014 592 2777. Dates on which notice will be published: 5 and 12 September 2023.

5-12

PROVINSIALE KENNISGEWING 644 VAN 2023**KENNISGEWING INGEVOLGE ARTIKEL 17(1) VAN DIE RUSTENBURG PLAASLIKE MUNISIPALITEIT RUIMTELIKE BEPLANNING EN GRONDGEBRUIKBESTUURS VERORDENING, 2018 VIR 'N VERANDERING VAN DIE GRONDGEBRUIKSREGTE BEKEND AS 'N HERSONERING. RUSTENBURG WYSIGINGSKEMA 3261**

Ek Jan-Nolte Ekkerf van die firma NE Town Planning BK synde die gemagtigde agent van die eienaar van Erf 298 Waterval East Uitbreiding 7, Registrasie Afdeling J.Q., Noord-Wes Provinsie, gee hiermee ingevolge, Artikel 17(1)(d) van die Rustenburg Plaaslike Munisipaliteit Ruimtelike Beplanning en Grondgebruikbestuur Verordening, 2018 kennis dat ek by Rustenburg Plaaslike Munisipaliteit aansoek gedoen het vir die verandering van die grondgebruikregte, ook bekend as die hersonering van die eiendom hierbo beskryf, geleë te Wallstraat Waterval Oos Uitbr. 7 vanaf "Spesiaal" vir 'n motorhandelaar met sekere verwante regte na "Besigheid 1" insluitend motor werksinkels en distribusiesentrums soos omskryf in Bylae 3261 tot die Skema. Hierdie aansoek behels A) dat die eiendom gebruik mag word vir alle gebruike in terme van die "Besigheid 1" sonering insluitend motor werksinkels en distribusiesentrums. B) Al die aangrensende eiendomme, asook ander in die omgewing kan moontlik hierdeur geraak word. C) Die hersonering vanaf "Spesiaal" vir 'n motorhandelaar met sekere verwante regte na "Besigheid 1" insluitend motor werksinkels en distribusiesentrums behels dat nuwe geboue opgerig en gebruik sal word vir die doeleindes soos hierbo genoem. Bylae 3261 bevat die volgende ontwikkelingsparameters: Max dekking: 80%, Maks Hogte: 6 verdieping en Maks VOV: 0,5. Enige besware of kommentaar, met gronde daarvoor asook kontakbesonderhede, kan gebring word binne 'n tydperk van 28 dae vanaf die eerste datum waarop die kennisgewing verskyn het na die Munisipaliteit: Kamer 319, Missionary Mpheni House, h.v. Nelson Mandela en Beyers Naude Rylane, Rustenburg, of na Posbus 16, Rustenburg 0300. Besonderhede en planne (indien enige) is beskikbaar vir inspeksie gedurende gewone kantoorure by die bovermelde kantore, vir 'n tydperk van 28 dae van die datum van eerste publikasie van die kennisgewing in die Provinsiale Gazette, Beeld en Citizen en/of terrein kennisgewing. Sluitingsdatum vir enige besware: 3 Oktober 2023. Adres van applikant: 155 Kockstraat, Suite 204, De Dak, Rustenburg 0299 of NE Stadsbeplanners BK, Posbus 21139, PROTEA PARK, 0305; Telefoon nr: 014 592 2777. Datums waarop kennisgewings gepubliseer word: 5 en 12 September 2023

5-12

PROVINCIAL NOTICE 645 OF 2023**NOTICE OF SIMULTANEOUS SUBDIVISION AND CONSOLIDATION APPLICATION: REMAINDER OF ERF 141 AND ERF 131, URANIAVILLE IN TERMS OF SECTION 94(1)(a) OF THE CITY OF MATLOSANA SPATIAL PLANNING AND LAND USE MANAGEMENT BY-LAW ON SPATIAL PLANNING AND LAND USE MANAGEMENT, 2016, READ TOGETHER WITH SPLUMA, 2013 (ACT 16 OF 2013), CITY OF MATLOSANA**

I, Pieter Francis Ernst (ID: 840328 5059 08 3), of the firm Malepa Planning & Projects (Pty) Ltd (2007/015316/07) being the authorised agent of the owners of Remainder of Erf 141 and Erf 131, Uraniaville, Registration Division IP, North West Province hereby gives notice in terms of Section 94(1)(a) of the City of Matlosana Spatial Planning and Land Use Management By-Law on Spatial Planning and Land Use Management, 2016, read together with the Spatial Planning and Land Use Management Act, 2013 (Act No.16 of 2013) that we have applied in terms of;

Section 92(1)(a) of the Town-planning and Townships Ordinance 1986, (Ordinance 15 of 1986) and Section 67 of the City of Matlosana Draft Spatial Planning and Land Use Management by-Law, 2016, read together with SPLUMA, 2013 (Act 16 of 2013), for the subdivision of Remainder of Erf 141, Uraniaville, Registration Division IP, North West Province, situated adjacent to 08, 10, 12 and 14 Electron Road, Uraniaville, Klerksdorp, North West Province and also 11, 13, 15a, 15b, 15c, 17 and 19 Radium Road, Uraniaville, Klerksdorp, North West Province, into two portions;

- Section 92(1)(b) of the Town-planning and Townships Ordinance 1986, (Ordinance 15 of 1986) and Section 73 of the City of Matlosana Draft Spatial Planning and Land Use Management by-Law, 2016, read together with SPLUMA, 2013 (Act 16 of 2013), for the consolidation of Portion A of Remainder Erf 141, Uraniaville, North West Province with Erf 131, Uraniaville, Registration Division IP, North West Province, situated at 19 Radium Road, Uraniaville, Klerksdorp, North West Province.

Particulars of the application will lie for inspection during normal office hours at the City of Matlosana, Records Section, Basement Floor, Klerksdorp Civic Centre, c/o Bram Fisher and OR Tambo Street, Klerksdorp, for a period of 30 days from 05 September 2023.

Objections or representations in respect of the application, together with the reasons therefore, must be lodged with or made in writing or verbally, if the objector is unable to write, to the authorized agent and the Municipal Manager at the above address or posted to P.O. Box 99, Klerksdorp, 2570, within a period of 30 days from 05 September 2023.

Any person who cannot write, may during office hours visit the City of Matlosana (Mr Danny Selemoseng: 018 487 8300) to assist those person/s by transcribing their comments, objections or representations within this period.

The closing date for submission of comments, objections or representation is 05 October 2023.

Address of authorised agent: Malepa Planning and Projects (PTY) Ltd., 12 Fanny Avenue, Flamwood, Klerksdorp, 2571, P.O. Box 451, Klerksdorp, 2570, Email: info@malepa.com, Tel No: (018) 462 4465

5-12

PROVINSIALE KENNISGEWING 645 VAN 2023**KENNISGEWING VAN AANSOEK GELYKWEGENDE ONDERVERDELING EN KONSOLIDASIE: RESTANT VAN ERF 141 EN ERF 131, URANIIVILLE IN TERME VAN ARTIKEL 94(1)(a) VAN DIE "CITY OF MATLOSANA SPATIAL PLANNING AND LAND USE MANAGEMENT BY-LAW ON SPATIAL PLANNING AND LAND USE MANAGEMENT, 2016", SAAMGELEES MET "SPLUMA, 2013 (ACT NO. 16 OF 2013)", STAD VAN MATLOSANA**

Ek, Pieter Francis Ernst (ID: 840328 5059 08 3), van die firma Malepa Planning & Projects (Edms) Bpk, (2007/015316/07) synde die gemagtigde agent van die eienaars van Restant van Erf 141 en Erf 131 Uraniaville, Registrasie Afdeling IP, Noord Wes Provinsie gee hiermee kennis ingevolge Artikel 94(1)(a) van die "City of Matlosana Spatial Planning and Land Use Management By-Law on Spatial Planning and Land Use Management, 2016", saamgelees met die "Spatial Planning and Land Use Management Act, 2013 (Act No. 16 of 2013) dat ons aansoek gedoen het ingevolge;

Artikel 92(1)(a) van die Ordonnansie op Dorpsbeplanning en Dorpe, 1986 (Ordonnansie 15 van 1986), en Artikel 67 van die "City of Matlosana Spatial Planning and Land Use Management By-Law on Spatial Planning and Land Use Management, 2016", saamgelees met SPLUMA, 2013 (Wet 16 van 2013) vir die onderverdeling van Restant van Erf 141, Uraniaville, Registrasie Afdeling IP, Noordwes Provinsie, geleë langs 08, 10, 12 en 14 Elektronweg, Uraniaville, Klerksdorp, Noordwes Provinsie en ook 11, 13, 15a, 15b, 15c, 17 en 19 Radiumweg, Uraniaville, Klerksdorp, Noordwes Provinsie, in twee gedeeltes;

- Artikel 92(1)(b) van die Ordonnansie op Dorpsbeplanning en Dorpe, 1986 (Ordonnansie 15 van 1986) en Artikel 75 van die "City of Matlosana Spatial Planning and Land Use Management By-Law on Spatial Planning and Land Use Management, 2016", saamgelees met "SPLUMA, 2013 (Act No. 16 Of 2013) vir die konsolidasie van Gedeelte A van Restant van Erf 141, Uraniaville, Noordwes Provinsie met Erf 131, Uraniaville, Registrasie Afdeling IP, Noordwes Provinsie, geleë te Radiumweg 19, Uraniaville, Klerksdorp, Noordwes Provinsie.

Besonderhede van die aansoek lê ter insae gedurende gewone kantoorure by die Stad van Matlosana, Rekords Afdeling, Kelder Verdieping, Burgersentrum, h/v Bram Fisherstraat en OR Tambo Straat, Klerksdorp, vir 'n tydperk van 30 dae vanaf 05 September 2023.

Besware teen, of verhoë ten opsigte van die aansoek, tesame met die redes daarvoor, moet skriftelik of mondelings by die Stad van Matlosana ingedien word of gerig word aan die gemagtigde agent en die munisipale bestuurder by bogenoemde adres of aan Posbus 99, Klerksdorp, 2570 binne 'n tydperk van 30 dae vanaf 05 September 2023.

Enige persoon wat nie kan skryf nie, mag gedurende kantoorure die Stad van Matlosana besoek waar 'n aangewese amptenaar van die Stad van Matlosana (Mnr Danny Selemoseng: 018 487 8300) daardie persone sal assisteer deur die kommentaar, beswaar of verhoë te transkribeer.

Die sluitingsdatum vir die indiening van kommentaar, besware of verhoë is 05 Oktober 2023.

Adres van gemagtigde agent: Malepa Planning & Projects (PTY) Ltd., Fanny Laan 12, Flamwood, Klerksdorp, 2571, Posbus 451, Klerksdorp, 2570. Tel Nr: (018) 462 4465, e-pos: info@malepa.com

PROVINCIAL NOTICE 649 OF 2023

NOTICE TO ADJACENT OWNERS AND AFFECTED PARTIES RELATING TO A LAND DEVELOPMENT APPLICATION TO MATLOSANA LOCAL MUNICIPALITY, FOR THE CHANGE OF LAND USE RIGHTS (ALSO REZONING), IN RESPECT OF ERF 918, WILKOPPIES X 18 TOWNSHIP, REGISTRATION DIVISION I.P. NORTH-WEST PROVINCE, SITUATED AT 31 AMETIS STREET (AMENDMENT SCHEME 1510, WITH ANNEXURE 1352). I, Alexander Edward van Breda, ID 620501 5073 08 2, being the authorized Agent of the Owner of Erf 918, Wilkoppies x 18 Township, Registration Division I.P, North-West Province ("the Property"), hereby give notice in terms of Sections 41(1)(a) and 41(2)(d) of the Spatial Planning and Land Use Management Act ("SPLUMA"), 2013, Act 16 of 2013, and Sections 62(1), 94(1)(a), 95(1), 96 and 97(1)(a) of the City of Matlosana Spatial Planning and Land Use Management By-law, 2016 ("SPLUMA By-law"), and Sections 56(1)(b)(i) and (ii) of the Transvaal Town Planning and Township Ordinance, 1986 (Ordinance 15 of 1986), that I have applied to the City of Matlosana Local Municipality, for the amendment of the Klerksdorp Land Use Management Scheme ("the LUMS"), for a change of land use rights ("also rezoning") of the Property. The intention of the application contains the following proposal: (A)Rezoning of the Property from "Residential 1" to "Special" for purposes of professional offices, and medical consulting rooms (Annexure 1352); (B)No restrictive title condition is present in Title Deed T77778/2022; (C)The following adjacent properties: Erven 904-906, 917, and 919, Wilkoppies x 18 Township; Erven 819 and 820, Wilkoppies x 16 Township, as well as others in the vicinity of the Property could possibly be affected hereby; (D)The following development parameters will apply: maximum coverage of 65% and two story height restriction. Any objection or comments including the grounds pertaining thereto and contact detail, must be lodged within a period of 30 days from the date of first publication of the notices in the Provincial Gazette, Beeld and Citizen Newspapers in writing during normal office hours to the Matlosana Local Municipality: Municipal offices, Records Section, Basement Floor, Klerksdorp, c/o Bram Fischer Street and OR Tambo Street, Klerksdorp Civic Centre or at the office of the Municipal Manager, PO Box 99, Klerksdorp, 2570. Any person who cannot write may during office hours attend at the address mentioned above where a named staff member of the Matlosana Local Municipality (Mr. Danny Selemoseng: 018 487 8365), will assist that person to transcribe that person's objections or comments. Full particulars of the Application and plans (if any) may be inspected and viewed during normal office hours at the above-mentioned offices, for a period of 30 days from the date of first publication of the notices in the Provincial Gazette, Beeld and Citizen Newspapers. Closing date for any objections: 13 October 2023. Address of Applicant: A.E. van Breda, PO Box 3183, Freemanville, Klerksdorp, 2573, telephone: 072 249 5400, vanbreda@lantic.net. Publication dates of notice: 12 and 19 September 2023.

12-19

PROVINSIALE KENNISGEWING 649 VAN 2023

KENNISGEWING: AANLIGGENDE EIENAARS EN GEAFFEKTEERDE PARTYE RAKENDE 'N GRONDONTWIKKELINGSAANSOEK NA MATLOSANA PLAASLIKE MUNISIPALITEIT. VIR DIE VERANDERING VAN GRONDGEBRUIKSREGTE (OOK HERSONERING). T.O.V. ERF 918, WILKOPPIES X 18 DORP, REGISTRASIE AFDELING I.P. PROVINSIE NOORD-WES, GELEE TE AMETISSTRAAT 31 (WYSIGINGSKEMA 1510, MET BYLAAG 1352). Ek, Alexander Edward van Breda, ID 620501 5073 08 2, synde die gemagtigde Agent van die Eienaar van Erf 918, Wilkoppies x 18 Dorp, Registrasie Afdeling I.P, Noord-Wes Provinsie ("die Eiendom"), gee hiermee ingevolge Artikels 41(1)(a) en 41(2)(d) van die Wet op Ruimtelike Beplanning en Grondgebruikbestuur ("SPLUMA"), 2013 (Wet 16 van 2013), en Artikels 62(1), 94(1)(a), 95(1), 96 en 97(1)(a) van die Stad van Matlosana Plaaslike Munisipaliteit se Ruimtelike Beplannings en Grondgebruikbestuurverordening, 2016 ("SPLUMA By-wet"), en Artikels 56(1)(b)(i) en (ii) van die Transvaal Ordonansie op Dorps beplanning en Dorpe, 1986 (Ordonansie 15 van 1986), kennis dat ek by die Matlosana Plaaslike Munisipaliteit aansoek gedoen het vir die wysiging van die Klerksdorp Grondgebruikbestuurskema vir die verandering van grondgebruiksregte ("ook hersonerig") van die Eiendom. Die voorneme en intensie van die aansoek behels die volgende: (A)Hersonering van die Eiendom vanaf "Residensieel 1" na "Spesiaal" vir die doeleindes professionele kantore, en mediese spreekamers (Bylaag 1352); (B)Geen beperkende titelvoorwaardes kom in Titelakte T77778/2022, voor nie; (C)Die volgende aangrensende eiendomme: Erve 904-906, 917 en 919, Wilkoppies x 18 Dorp; Erve 819 en 820, Wilkoppies x 16 Dorp, asook eiendomme in die onmiddellike omgewing van die eiendom kan moontlik hierdeur geraak word; (D)Die volgende ontwikkelingsparameters sal geld: maksimum dekking van 65% en twee vloer hoogtebeperking. Enige besware teen of kommentaar, met gronde daarvoor asook kontakbesonderhede, moet skriftelik ingedien word binne n tydperk van 30 dae vanaf die datum van eerste publikasie van die kennisgewings in die Provinsiale Gazette, Beeld en Citizen Nuusblaai na die Matlosana Munisipaliteit: Die kantoor van die Munisipale Bestuurder, Rekordsafdeling, Kelderverdieping kantore, h/v Bram Fischerstraat en OR Tambostraat, en/of Posbus 99, Klerksdorp, 2570. Enige persoon wat nie kan skryf nie, mag tydens kantooreure bogenoemde adres besoek waartydens 'n aangewese amptenaar van die Matlosana Plaaslike Munisipaliteit (Mnr Danny Selemoseng: 018 487 8365) daardie persoon behulpsaam sal wees ten einde hul besware, kommentare of vertoe te transkribeer. Besonderhede van die Aansoek en planne (indien enige) is beskikbaar vir inspeksie en insae gedurende gewone kantooreure by die bovermelde kantore, vir n tydperk van 30 dae van die datum van eerste publikasie van die kennisgewings in die Provinsiale Gazette, Beeld en Citizen Nuusblaai. Sluitingsdatum vir besware: 13 Oktober 2023. Adres van Applikant: A.E. van Breda, Posbus 3183, Freemanville, Klerksdorp, 2573, Telefoon:072 249 5400, vanbreda@lantic.net. Publikasiedatums van kennisgewing: 12 en 19 September 2023.

12-19

PROVINCIAL NOTICE 650 OF 2023

NOTICE TO ADJACENT OWNERS AND AFFECTED PARTIES RELATING TO A LAND DEVELOPMENT APPLICATION TO MATLOSANA LOCAL MUNICIPALITY, FOR THE CHANGE OF LAND USE RIGHTS (ALSO REZONING), IN RESPECT OF PORTION 256 (PORTION OF PORTION 59) OF THE FARM ELANDSHEUVEL 402, REGISTRATION DIVISION I.P. NORTH-WEST PROVINCE, SITUATED AT 38 LATHAM ROAD (AMENDMENT SCHEME 1514). I, Alexander Edward van Breda, ID 620501 5073 08 2, being the authorized Agent of the Owner of Portion 256 (a Portion of Portion 59) of the farm Elandsheuvel 402, Registration Division I.P, North-West Province ("the Property"), hereby give notice in terms of Sections 41(1)(a) and 41(2)(d) of the Spatial Planning and Land Use Management Act ("SPLUMA"), 2013, Act 16 of 2013, and Sections 62(1), 94(1)(a), 95(1), 96 and 97(1)(a) of the City of Matlosana Spatial Planning and Land Use Management By-law, 2016 ("SPLUMA By-law"), and Sections 56(1)(b)(i) and (ii) of the Transvaal Town Planning and Township Ordinance, 1986 (Ordinance 15 of 1986), that I have applied to the City of Matlosana Local Municipality, for the amendment of the Klerksdorp Land Use Management Scheme ("the LUMS"), for a change of land use rights ("also rezoning") of the Property. The intention of the application contains the following proposal: (A)Rezoning of the Property from "Special" for the purposes of an accommodation enterprise and guesthouse facility to "Agricultural"; (B)No restrictive title conditions are present in Title Deed T33016/2009; (C)The following adjacent properties: Portions 255 and 257 farm Elandsheuvel 402 IP; Erven 294-296, Flamwood Township; Erwe 1757-1759, Klerksdorp x 18 Township; as well as others in the vicinity of the Property could possibly be affected hereby; (D)The following development parameters will apply: maximum coverage of 50% and two story height restriction. Any objection or comments including the grounds pertaining thereto and contact detail, must be lodged within a period of 30 days from the date of first publication of the notices in the Provincial Gazette, Beeld and Citizen Newspapers in writing during normal office hours to the Matlosana Local Municipality: Municipal offices, Records Section, Basement Floor, Klerksdorp, c/o Bram Fischer Street and OR Tambo Street, Klerksdorp Civic Centre or at the office of the Municipal Manager, PO Box 99, Klerksdorp, 2570. Any person who cannot write may during office hours attend at the address mentioned above where a named staff member of the Matlosana Local Municipality (Mr. Danny Selemoseng: 018 487 8365), will assist that person to transcribe that person's objections or comments. Full particulars of the Application and plans (if any) may be inspected and viewed during normal office hours at the above-mentioned offices, for a period of 30 days from the date of first publication of the notices in the Provincial Gazette, Beeld and Citizen Newspapers. Closing date for any objections: **13 October 2023**. Address of Applicant: A.E. van Breda, PO Box 3183, Freemanville, Klerksdorp, 2573, telephone:072 249 5400, vanbreda@lantic.net. Publication dates of notices: **12 and 19 September 2023**.

12-19

PROVINSIALE KENNISGEWING 650 VAN 2023

KENNISGEWING: AANLIGGENDE EIENAARS EN GEAFFEKTEERDE PARTYE RAKENDE 'N GRONDONTWIKKELINGS AANSOEK NA MATLOSANA PLAASLIKE MUNISIPALITEIT, VIR DIE VERANDERING VAN GRONDGEBRUIKSREGTE (OOK HERSONERING), T.O.V. GEDEELTE 256 (GEDEELTE VAN GEDEELTE 59) VAN DIE PLAAS ELANDSHEUVEL 402, REGISTRASIE AFDELING I.P. PROVINSIE NOORD-WES, GELEE TE LATHAMWEG 38 (WYSIGINGSKEMA 1514). Ek, Alexander Edward van Breda, ID 620501 5073 08 2, synde die gemagtigde Agent van die Eienaar van Gedeelte 256 ('n Gedeelte van Gedeelte 59) van die plaas Elandsheuvel 402, Registrasie Afdeling I.P, Noord-Wes Provinsie ("die Eiendom"), gee hiermee ingevolge Artikels 41(1)(a) en 41(2)(d) van die Wet op Ruimtelike Beplanning en Grondgebruikbestuur ("SPLUMA"), 2013 (Wet 16 van 2013), en Artikels 62(1), 94(1)(a), 95(1), 96 en 97(1)(a) van die Stad van Matlosana Plaaslike Munisipaliteit se Ruimtelike Beplannings en Grondgebruikbestuur verordening, 2016 ("SPLUMA By-wet"), en Artikels 56(1)(b)(i) en (ii) van die Transvaal Ordonansie op Dorpsbeplanning en Dorpe, 1986 (Ordonansie 15 van 1986), kennis dat ek by die Matlosana Plaaslike Munisipaliteit aansoek gedoen het vir die wysiging van die Klerksdorp Grondgebruikbestuurskema vir die verandering van grondgebruiksregte ("ook hersonering") van die Eiendom. Die voorneme en intensie van die aansoek behels die volgende: (A)Hersonering van die Eiendom vanaf "Spesiaal" vir die doeleindes van 'n akkommodasiebedryf en gastehuis fasiliteit na "Landbou"; (B)Geen beperkende titelvoorwaardes kom in Titelakte T33016/2009, voor nie; (C)Die volgende aangrensende eiendomme: Gedeeltes 255 en 257 plaas Elandsheuvel 402 IP; Erwe 294-296, Flamwood Dorp; Erwe 1757-1759, Klerksdorp x 18 Dorp; asook eiendomme in die onmiddellike omgewing van die eiendom kan moontlik hierdeur geraak word; (D)Die volgende ontwikkelingsparameters sal geld: maksimum dekking van 50% en twee vloer hoogtebeperking. Enige besware teen of kommentaar, met gronde daarvoor asook kontakbesonderhede, moet skriftelik ingedien word binne n tydperk van 30 dae vanaf die datum van eerste publikasie van die kennisgewings in die Provinsiale Gazette, Beeld en Citizen Nuusblaie na die Matlosana Munisipaliteit: Die kantoor van die Munisipale Bestuurder, Rekordsafdeling, Kelderverdieping kantore, h/v Bram Fischerstraat en OR Tambostraat, en/of Posbus 99, Klerksdorp, 2570. Enige persoon wat nie kan skryf nie, mag tydens kantoorure bogenoemde adres besoek waartydens 'n aangewese amptenaar van die Matlosana Plaaslike Munisipaliteit (Mnr Danny Selemoseng: 018 487 8365) daardie persoon behulpsaam sal wees ten einde hul besware, kommentare of vertoe te transkribeer. Besonderhede van die Aansoek en planne (indien enige) is beskikbaar vir inspeksie en insae gedurende gewone kantoorure by die bovermelde kantore, vir n tydperk van 30 dae van die datum van eerste publikasie van die kennisgewings in die Provinsiale Gazette, Beeld en Citizen Nuusblaie. Sluitingsdatum vir besware: **13 Oktober 2023**. Adres van Applikant: A.E. van Breda, Posbus 3183, Freemanville, Klerksdorp, 2573, Telefoon:072 249 5400, vanbreda@lantic.net. Publikasiedatums van kennisgewings: **12 en 19 September 2023**.

12-19

PROVINCIAL NOTICE 651 OF 2023

NOTICE IN TERMS OF SECTION 17(1) OF THE RUSTENBURG LOCAL MUNICIPALITY SPATIAL PLANNING AND LAND USE MANAGEMENT BY-LAW, 2018 FOR A CHANGE OF LAND USE RIGHTS KNOWN AS A REZONING. RUSTENBURG AMENDMENT SCHEME 3266

I Jan-Nolte Ekkerd of The firm NE Town Planning CC, being the authorised agent of the owner of **Portion 2 of Erf 1336 Rustenburg Township, Registration Division J.Q., North West Province** hereby give notice in terms of Section 17(1)(d) of the Rustenburg Local Municipality Spatial Planning and Land Use Management By-Law, 2018 that I have applied to the Rustenburg Local Municipality for a change of land use rights also known as rezoning of Portion 2 of Erf 1336, Rustenburg from "Residential 1" to "Business 3" including a place of refreshment as defined in Annexure 3266 to the Scheme. The property is situated at 180 Kock Street, Rustenburg. This application contains the following proposals: A) that the property may be used for any land use contained in the "Business 3" zoning as well as for purposes of a place of refreshment. B) The adjacent properties as well as others in the area, could possibly be affected by the rezoning. C) The rezoning from "Residential 1" to "Business 3" including a place of refreshment entails that the existing and/or new buildings will be built and used for the purposes mentioned above. Annexure 3266 contains the following development parameters: Max Height: 2 Storeys, Max Coverage: 80%, and Max F.A.R: 0.4. Any objection or comments, with the grounds therefore and contact details shall be lodged within a period of 28 days from the first date on which the notice appeared, with or made in writing to Municipality at: **Room 319, Missionary Mpheni House, cnr. Nelson Mandela and Beyers Naude Drives, Rustenburg, or to PO Box 16, Rustenburg 0300**. Full particulars and plans (if any) may be inspected during normal office hours at the above-mentioned offices, for a period of 28 days from the date of first publication of the advertisement in the Provincial Gazette, Beeld, and Citizen and/or Site Notice. Closing date for any objections: **10 October 2023**. Address of applicant: NE Town Planning CC, **155 Kock Street, Suite 203, De Dak, Rustenburg 0299 or P.O. Box 21139, Protea Park, 0305**; Telephone No: 014 592 2777. Dates on which notice will be published: **12 and 19 September 2023**

12-19

PROVINSIALE KENNISGEWING 651 VAN 2023

KENNISGEWING INGEVOLGE ARTIKEL 17(1) VAN DIE RUSTENBURG PLAASLIKE MUNISIPALITEIT RUIMTELIKE BEPLANNING EN GRONDGEBRUIKBESTUURS VERORDENING, 2018 VIR 'N VERANDERING VAN DIE GRONDGEBRUIKSREGTE BEKEND AS 'N HERSONERING. RUSTENBURG WYSIGINGSKEMA 3266

Ek Jan-Nolte Ekkerd van die firma NE Town Planning BK, synde die gemagtigde agent van die eienaar van die **Gedeelte 2 van Erf 1336, Rustenburg, Registrasie Afdeling J.Q., Noord-Wes Provinsie**, gee hiermee ingevolge, Artikel 17(1)(d) van die Rustenburg Plaaslike Munisipaliteit Ruimtelike Beplanning en Grondgebruikbestuur Verordening, 2018 kennis dat ek by Rustenburg Plaaslike Munisipaliteit aansoek gedoen het vir die verandering van die grondgebruikregte, ook bekend as die hersonering van Gedeelte 2 van Erf 1336 geleë te Kockstraat 180 vanaf "Residensieël 1" na "Besigheid 3" insluitend 'n plek van verversing soos omskryf in Bylae 3266 tot die Skema. Hierdie aansoek behels A) dat die eiendom gebruik sal word vir die oorig en gebruik van die eiendom vir enige gebruike ingesluit in "Besigheid 3" sonering asook 'n plek van verversing. B) Al die aangrensende eiendomme asook ander in die omgewing kan moontlik deur die hersonering geraak word. C) Die hersonering vanaf "Residensieël 1" na "Besigheid 3" insluitend 'n plek van verversing behels dat die bestaande en/of nuwe geboue opgerig en/of gebruik mag word vir doeleindes soos hierbo genoem. Bylae 3266 bevat die volgende ontwikkelingsparameters, Maks Hoogte: 2 Verdiepings, Maks dekking: 80% en Maks VOV: 0.4. Enige besware of kommentaar, met gronde daarvoor asook kontakbesonderhede, kan gebring word binne 'n tydperk van 28 dae vanaf die eerste datum waarop die kennisgewing verskyn het na die **Munisipaliteit: Kamer 319, Missionary Mpheni House, h.v. Nelson Mandela en Beyers Naude Rylane, Rustenburg, of na Posbus 16, Rustenburg 0300**. Besonderhede en planne (indien enige) is beskikbaar vir inspeksie gedurende gewone kantoorure by die bovermelde kantore, vir 'n tydperk van 28 dae van die datum van eerste publikasie van die kennisgewing in die Provinsiale Gazette, Beeld en Citizen en/of terrein kennisgewing. Sluitingsdatum vir enige besware: **10 Oktober 2023**. Adres van applikant: **155 Kockstraat, Suite 203, De Dak, Rustenburg 0299 of NE Stadsbeplanners BK, Posbus 21139, Protea Park, 0305; Telefoon nr: 014 592 2777**. Datums waarop kennisgewings gepubliseer word: **12 en 19 September 2023**.

12-19

PROVINCIAL NOTICE 652 OF 2023

NOTICE OF APPLICATION FOR AMENDMENT SCHEME IN TERMS OF SECTION 17(1) OF THE RUSTENBURG SPATIAL PLANNING AND LAND USE MANAGEMENT BY LAW 2018 RUSTENBURG

AMENDMENT SCHEME 3263

I, Mr Boipuso Frans Mathusse as given power of attorney by the owner/s of **Portion 4 of Erf 1125 Rustenburg, Registration Division J.Q North West Province** hereby give notice in terms of **Section 17(1)(d)** of the **Rustenburg Spatial Planning and Land Use Management By Law 2018**, that I have applied to the Rustenburg Local Municipality for the amendment of the Town Planning Scheme known as the Rustenburg Land Use Scheme 2018 by way of Rezoning the property described above from **“Residential 1” to “Business1”** defined in Annexure 3263 to the Scheme. This application contains the following proposals: **A. The property shall be used entirely for the proposed. B. The adjacent properties and others in the area will be affected. C. The proposed rezoning has the following development parameters: Property size: 1308m², Maximum Height: 2 Storeys, Maximum Coverage: 55% Maximum FAR: 0.6. Parking: In terms of the Rustenburg Land Use Scheme 2022.** Particulars of the application will lie for inspection during normal working hours at the office of the Municipal Manager Room 319 Missionary Mpheni House, Cnr of Nelson Mandela and Beyers Naude Streets Rustenburg for a period of 28 days from **12 September 2023**. Any objections should be directed to the Municipal Manager at the above-mentioned address or at P.O.BOX 16 Rustenburg 0300 within the specified date. The notice will be placed on the Subject property for a period of 28 days from the date of the first publication on the Provincial Gazette, Beeld and Citizen Newspapers. Publication dates: **12 and 19 September 2023**. Closing date for Objections: **9 October 2023**. Contact Address: 159 Bethlehem street Rustenburg 0299- 067 161 2797- mathussefrans@gmail.com

12–19

PROVINSIALE KENNISGEWING 652 VAN 2023

KENNISGEWING VAN AANSOEK OM WYSIGINGSKEMA INGEVOLGE ARTIKEL 17(1) VAN DIE RUSTENBURG RUIMTELIKE BEPLANNING EN GRONDGEBRUIKBESTUUR DEUR WET 2018 RUSTENBURG WYSIGINGSKEMA 3263

Ek, Mnr Boipuso Frans Mathusse, soos gegee volmag deur die eienaar/s van **Gedeelte 4 van Erf 1125 Rustenburg, Registrasie Afdeling J.Q Noordwes Provinsie** gee hiermee kennis ingevolge **Artikel 17(1)(d) van die Rustenburg Ruimtelike Beplanning en Grondgebruikbestuur volgens wet 2018**, dat ek by die Rustenburg Plaaslike Munisipaliteit aansoek gedoen het vir die wysiging van die Dorpsbeplanningskema bekend as die Rustenburg Grondgebruikskema 2018 by wyse van die hersonering van die eiendom hierbo beskryf vanaf **“Residensieel 1” na “Besigheid1”** omskryf in Bylae **3263** by die Skema. Hierdie aansoek bevat die volgende voorstelle: **A. Die eiendom sal geheel en al vir die voorgestelde gebruik word. B. Die aangrensende eiendomme en ander in die area sal geraak word. C. Die voorgestelde hersonering het die volgende ontwikkelingsparameters: Eiendoms grootte: 1308m², Maksimum Hoogte: 2 Verdiepings, Maksimum Dekking: 55% Maksimum VERV: 0.6. Parkering: Ingevolge die Rustenburg Grondgebruikskema 2022.** Besonderhede van die aansoek le ter insae gedurende gewone werksure by die kantoor van die Munisipale Bestuurder Kamer 319 Missionary Mpheni House, Hv Nelson Mandela- en Beyers Naudestraat Rustenburg vir 'n tydperk van 28 dae vanaf **12 September 2023**. Enige besware moet binne die gespesifiseerde datum aan die Munisipale Bestuurder by bogenoemde adres of by Posbus 16 Rustenburg 0300 gerig word. Die kennisgewing sal op die Onderwerpse eiendom geplaas word vir 'n tydperk van 28 dae vanaf die datum van die eerste publikasie op die Provinsiale Koerant, Beeld en Citizen Newspapers. Publikasiedatums: 12 en **19 September 2023**. Sluitingsdatum vir Besware: **9 Oktober 2023**. Kontakadres: Bethlehem straat 159 Rustenburg 0299- 067 161 2797- mathussefrans@gmail.com

12–19

LOCAL AUTHORITY NOTICES • PLAASLIKE OWERHEIDS KENNISGEWINGS**LOCAL AUTHORITY NOTICE 402 OF 2023****NOTICE IN TERMS OF SECTIONS 56 AND 86 OF THE MADIBENG LOCAL MUNICIPALITY SPATIAL PLANNING AND LAND USE MANAGEMENT BY-LAW, 2016 FOR A CHANGE OF LAND USE RIGHTS, 2016: ERF 5394, BRITS EXTENSION 156**

I, **SONJA MEISSNER-ROLOFF of SMR Town & Environmental Planning** (full name), being the *owner/ Applicant of **Erf 5394, Brits Extension 156** (complete description of property as set out in title deed) hereby give notice in terms of Sections 56 of the Madibeng Local Municipality Spatial Planning and Land Use Management By-Law, 2016 that I have applied to the Local Municipality of Madibeng for a change of land use rights also known as the rezoning of the property described above, situated between Firethorn and Sneezewood Streets, Ngwenya River Estate from "Special Residential" with a density of "One dwelling per erf" to "Special" for private open space purposes.

Any objection or comments, with the grounds therefore and contact details, shall be lodged within a period of 30 days from the first date on which the notice appeared, with or made in writing to: The Municipal Manager, Room 223, Second floor, Municipal Offices, Van Velden Street, Brits or at P O Box 106, Brits, 0250.

Full particulars and plans (if any) may be inspected during normal office hours at the above-mentioned offices, for a period of 30 days from the date of first publication of the advertisement in the Provincial Gazette, Die Beeld and The Citizen.

Dates on which notices will be published: 5 September 2023 and 12 September 2023
Closing date for any objections: 4 October 2023

Address of *owner/ applicant:
SMR Town & Environmental Planning, P O Box 7194, Centurion, 0046
Highveld Office Park, 9 Charles de Gaulle Crescent, Highveld, 0157
Telephone number: 012 665 2330
Email: smeissner@icon.co.za

5-12

PLAASLIKE OWERHEID KENNISGEWING 402 VAN 2023**KENNISGEWING INGEVOLGDE ARTIKELS 56 EN 86 VAN DIE MADIBENG LOCAL MUNICIPALITY SPATIAL PLANNING AND LAND USE MANAGEMENT BY-LAW, 2016 VIR DIE VERANDERING IN GRONDGEBRUIKSREGTE: ERF 5394, BRITS UITBREIDING 156**

Ek, **SONJA MEISSNER-ROLOFF van SMR Town & Environmental Planning** (volle name), synde die eienaar / Applikant van **Erf 5394, Brits Uitbreiding 156** (volledige beskrywing van die eiendom soos uiteengesit in die titelakte, gee hiermee kennis in terme van Artikels 56 en 86 van die Madibeng Local Municipality Spatial Planning and Land Use Management By-Law, 2016 dat ek aansoek gedoen het by die Plaaslike Munisipaliteit van Madibeng vir die wysiging van die grondgebruiksregte wat ook bekend staan as 'n hersonering van die eiendom hierbo beskryf, geleë tussen Firethorn en Sneezewood Strate, Ngwenya River Estate van "Spesiale Woon" met 'n digtheid van "Een Woonhuis per erf" na "Spesiaal" vir doeleindes van 'n privaat oop ruimte.

Enige besware of vertoë, met die gronde daarvoor en kontakbesonderhede, sal ingedien word binne 'n periode van 30 dae van die datum van eerste datum waarop die kennisgewing verskyn het, by of op skrif aan: Die Munisipale Bestuurder, Kamer 223, Tweede Vloer, Munisipale kantore, Van Veldenstraat, Brits of by Posbus 106, Brits, 1050.

Volle besonderhede en planne (indien enige) kan besigtig word gedurende kantoorure by die bogemelde kantore vir 'n periode van 30 dae van die datum van eerste kennisgewing van die advertensie in die Provinsiale Koerant, Die Beeld en The Citizen.

Datums waarop kennisgewings gepubliseer gaan word: 5 September 2023 en 12 September 2023
Sluitingsdatum vir besware: 4 Oktober 2023

Adres van eienaar / Applikant (asook fisiese adres)
SMR Town & Environmental Planning, Posbus 7194, Centurion, 0046
Highveld Office Park, 9 Charles de Gaullesingel, Highveld, 0157
Telefoonnummer: 012 665 2330
Epos: smeissner@icon.co.za

5-12

LOCAL AUTHORITY NOTICE 404 OF 2023**JB MARKS LOCAL MUNICIPALITY
SPECIAL CONSENT****APPLICATION FOR SPECIAL CONSENT FOR SPECIAL USE : RENEWABLE ENERGY INFRASTRUCTURE AND SPECIAL CONSENT FOR A RESTAURANT ON A PORTION OF THE REMAINDER OF PORTION 7 OF THE FARM DROOGESPRUIT NO. 416, I.P. DIVISION DIVISION**

Notice is hereby given in terms of **Section 92 of the Tlokwe City Council Spatial Planning and Land Use Management By-Law (2015)** that the under-mentioned application has been received by the JB Marks Local Municipality and is open for inspection during normal office hours at the Office of the Director Technical Services: Land Development and Property Rights, JB Marks Local Municipality, Office 210, Second floor, Dan Tloome Complex, Corner of Wolmarans Street and Sol Plaatjie Avenue, Potchefstroom.

Any objections/representations must be lodged with or made in writing, or verbally if unable to write, to the Municipal Manager, at the above-mentioned address or posted to PO Box 113, Potchefstroom, 2520 or mailed to Peter Moretsi, 018 299 5789, email: pmoretsi@jbmarks.gov.za on or before the closing date for the submission of objections/representations, quoting the above-mentioned heading, the objector's interest in the matter, the ground(s) of the objection/representation, the objector's erf and phone numbers and address.

CLOSURE DATE FOR SUBMISSION OF OBJECTIONS: 30 days from publication date

NATURE OF APPLICATION :

An application has been submitted, in terms of Clause 22 of the Tlokwe Town Planning Scheme (2015) and Section 76 of the Tlokwe SPLUMA By-Laws (2015) for the following on a portion of the Remainder of Portion 7 of the Farm Droogespruit No. 416, I.P. Division, situated ±18km south-west of Potchefstroom along the N12 :

- Special Consent for Special Use : Renewable Energy Infrastructure, and
- Special Consent for a Restaurant

The proposed development of 9268m² will consist of the Solar Energy Generating Area (8 500m²), Charging Station (52m²), Battery Storage (36m²), Small-scale Restaurant (100m²) and Parking (580m²).

OWNER : Johannes Groenewald
APPLICANT : Mirinda de Beer Town & Regional Planner
ADDRESS : 117 Cape Road, Mill Park, Port Elizabeth, 6001
TEL. NO. : 082 896 2686

PLAASLIKE OWERHEID KENNISGEWING 404 VAN 2023**JB MARKS PLAASLIKE MUNISIPALITEIT
SPESIALE TOESTEMMING****AANSOEK VIR SPESIALE TOESTEMMING VIR SPESIALE GERBUIK : HERNUBARE ENERGIE-INFRASTRUKTUUR EN SPESIALE TOESTEMMING VIR 'N RESTAURANT OP 'N GEDEELDE VAN DIE RESTANT VAN GEDEELTE 7 VAN DIE PLAAS DROOGESPRUIT NO. 416, I.P. AFDELING**

Kennis geskied hiermee in terme van **Artikel 92 van die Tlokwe Stadsraad Ruimtelike Beplanning en Grondgebruikbestuur By Wet (2015)** dat ondergemelde aansoek deur die JB Plaaslike Munisipaliteit ontvang is en ter insae beskikbaar is gedurende gewone kantoorure te die kantoor van die Departement Tegniese Dienste: Grondontwikkeling en Eiendomsregte, JB Plaaslike Munisipaliteit, Kantoor 210, Tweede Vloer, Dan Tloome Kompleks, op die hoek van Wolmaransstraat en Sol Plaatjelaan, Potchefstroom.

Enige beswaar/vertoë moet skriftelik, of mondelings indien nie kan skryf nie, by of tot die Munisipale Bestuurder voor die sluitingsdatum vir die indiening van besware/vertoë by bovermelde adres of na Posbus 113, Potchefstroom, 2520 of na Peter Moretsi, 018 299 5789, e-pos: pmoretsi@jbmarks.gov.za ingedien of gerig word, met vermelding van bogenoemde opskrif, die beswaarmaker se belang in die saak, die grond(e) van die beswaar/vertoë, die beswaarmaker se erf en telefoonnommers en adres.

SLUITINGSDATUM VIR DIE INDIENING VAN BESWARE/VERTOË: 30 dae van publikasie datum

AARD VAN AANSOEK:

'n Aansoek is ingedien, in terme van Klousule 22 van die Tlokwe Dorpsbeplanningskema, 2015 en Artikel 76 van die Tlokwe Stadsraad se verordening op Ruimtelike Beplanning en Grondgebruikbeheer, 2015 vir die volgende op 'n gedeelte van die Restant van Gedeelte 7 van die Plaas Droogespruit No. 416, I.P. Afdeling, Geleë ±18km suid-wes van Potchefstroom langs die N12:

- Spesiale Toestemming vir Spesiale Gebruik : Hernubare Energie-Infrastruktuur, en
- Spesiale Toestemming vir 'n Restaurant

Die voorgestelde ontwikkeling van 9268m² sal bestaan uit die volgende: sonpanele (8500m²), herlaaistaties vir elektriese voertuie (52m²), battery stoor (36m²), kleinskaal restaurant (100m²) en parkeerarea (580m²).

EIENAAR : Johannes Groenewald
APPLIKANT : Mirinda de Beer Stads- & Streeksbeplanners
ADRES : 117 Kaap Weg, Mill Park, Port Elizabeth, 6001
TEL. NO. : 082 698 2686

Kennisgewingnummer / Notice Number : 49/2023
BESTUURDER

MUNISIPALE

LOCAL AUTHORITY NOTICE 405 OF 2023**RUSTENBURG LAND USE SCHEME, 2021: AMENDMENT SCHEME 3187**

Notice is hereby given in terms of Section 57 (1) (a) of the Town-planning and Townships Ordinance, 1986 (Ordinance 15 of 1986) read with Section 17(1) of the Rustenburg Local Municipality Spatial Planning and Land Use Management By-Law 2018 as amended, that the Rustenburg Local Municipality has adopted an amendment of the Rustenburg Land Use Management Scheme, 2005, read with the Rustenburg Land Use Scheme 2021 relating to Portions 1 to 3 of Erf 3256, Portions 1 to 370 of Erf 3257, Portions 1 to 155 of Erf,3258 and Portions 1 to 379 of Erf3259, Bokamoso Extension 1 township, as more fully set out in the scheme documents.

The scheme documents are filed with the Municipal Manager, 3rd Floor, Missionary Mpheni House, c/o Nelson Mandela Drive and Beyers Naudé Avenue, Rustenburg, and is open for inspection during normal office hours.

This amendment is known as Rustenburg Amendment Scheme 3187, and shall come into operation on the date of publication of this notice.

MUNICIPAL MANAGER

PLAASLIKE OWERHEID KENNISGEWING 405 VAN 2023**RUSTENBURG GRONDGEBRUIK SKEMA,2021: WYSIGINGSKEMA 3187**

Kennis geskied hiermee ingevolge Artikel 57 (1)(a) van die Ordonnansie op Dorpsbeplanning en Dorpe (Ordonnansie 15 van 1986), gelees met die Artike 17(1) van die Rustenburg Plaaslike Munisipaliteit Ruimtelike Beplanning en Grondgebruiksbestuurs Verordening 2018 soos deur die Rustenburg Munisipaliteit gewysig vanaf die Rustenburg Grondgebruikbeheerskema, 2005, gelees met Rustenburg Grondgebruik Skema 2021 wat betrekking het op Gedeeltes 1 tot 3 van Erf 3256, Gedeeltes 1 tot 370 van Erf 3257, 1 tot 156 van Erf 3258 en Gedeeltes 1 tot 379 van Erf 3259, dorp Bokamoso Uitbreiding1, soos meer volledig uiteengesit in die skemadokumente.

Die skemadokumente word in bewaring gehou deur die Munisipale Bestuurder, 3de Vloer, Missionary Mpheni House, h/v Nelson Mandelaweg en ie Naudélaan, Rustenburg, en is gedurende gewone kantoorure beskikbaar vir inspeksie.

Hierdie wysiging staan bekend as Rustenburg Wysigingskema 3187 en tree in werking op datum van publikasie van hierdie kennisgewing.

MUNISIPALE BESTUURDER

LOCAL AUTHORITY NOTICE 406 OF 2023**APPLICATION FOR REZONING OF PORTION 1 OF ERF 1109, POTCHEFSTROOM, REGISTRATION DIVISION: IQ, NORTH WEST PROVINCE [AMENDMENT SCHEME 2455]**

Notice is hereby given in terms of Section 92 of Chapter 6 of the Tlokwe City Council Spatial Planning and Land Use Management By-Law, 2015, that the under-mentioned application has been received by the JB Marks Local Municipality and is open for inspection during normal office hours at the Office of the Department Human Settlements and Planning, JB Marks Local Municipality, Office 210, Second floor, Dan Tloome Complex, Corner of Wolmarans Street and Sol Plaatjie Avenue, Potchefstroom (email: mariusl@jbmarks.gov.za) or at the imminent address of the authorised agent below.

Any objections/representations must be lodged with or made in writing, or verbally if unable to write, to the Municipal Manager, at the abovementioned addresses or posted to P.O. Box 113, Potchefstroom, 2520 on or before the closing date for the submission of objections/representations, quoting the above-mentioned heading, the objector's interest in the matter, the ground(s) of the objection/representation, the objector's erf and phone numbers and address.

CLOSING DATE FOR SUBMISSION OF OBJECTIONS/REPRESENTATIONS: 12 October 2023

NATURE OF APPLICATION

I, L.J. Botha of H & W Town Planners CC [Reg Nr. 2006/148547/23], being the authorised agent of the owner, intends to apply to the JB Marks Local Municipality for the Amendment of the Tlokwe Town Planning Scheme, 2015, in terms of Section 62 of Chapter 5 of the Tlokwe City Council Spatial Planning and Land Use Management By-law, 2015 through the rezoning of Portion 1 of Erf 1109, Potchefstroom [situated at 31 Dwars Street], from "**Residential 1**" to "**Residential 4**". It is the intention of the owner to rezone the application site to provide higher density dwelling units in order to accommodate student accommodation.

Owner: Johannes Benjamin Volschenk (ID: 830101 5050 08 5)

Address of authorised agent: H & W TOWN PLANNERS CC (2006/148547/23), 246 MC ROODE DRIVE, POTCHEFSTROOM, 2531, P.O. BOX 1635, POTCHEFSTROOM, 2520, TEL: 076 051 8979, e-mail: louis@hwtp.co.za.

Acting Municipal Manager: S. Tyatya

12-19

PLAASLIKE OWERHEID KENNISGEWING 406 VAN 2023**AANSOEKE VIR HERSONERING VAN GEDEELTE 1 VAN ERF 1109, POTCHEFSTROOM, REGISTRASIE AFDELING: IQ, NOORDWES PROVINSIE [WYSIGINGSKEMA 2455]**

Kennis geskied hiermee in terme van Artikel 92 van Hoofstuk 6 van die Tlokwe Stadsraad Ruimtelike Beplanning en Grondgebruikbestuurskema Verordening 2015, dat ondergemelde aansoek deur die JB Marks Plaaslike Munisipaliteit ontvang is en ter insae beskikbaar is gedurende gewone kantoorure te die kantoor van die Departement Menslike Nedersettings en Beplanning, JB Marks Plaaslike Munisipaliteit, Kantoor 210, Tweede Vloer, Dan Tloome Kompleks, op die hoek van Wolmaransstraat en Sol Plaatjelaan, Potchefstroom (epos: mariusl@jbmarks.gov.za) of by die hieropvolgende adres van die gemagtigde agent soos onderaan genoem.

Enige beswaar/vertoë moet skriftelik, of mondelings indien nie kan skryf nie, by of tot die Munisipale Bestuurder voor die sluitingsdatum vir die indiening van besware/vertoë by genoemde adresse of na Posbus 113, Potchefstroom, 2520 ingedien of gerig word, met vermelding van bogenoemde opskrif, die beswaarmaker se belang in die saak, die grond(e) van die beswaar/vertoë, die beswaarmaker se erf, telefoonnummers en adres.

SLUITINGSDATUM VIR DIE INDIENING VAN BESWARE/VERTOË: 12 Oktober 2023

AARD VAN AANSOEK:

Ek, L.J. Botha van H & W Town Planners BK [Reg No. 2006/148547/23], synde die gemagtigde agent van die eienaar, is van voorneme om by die JB Marks Plaaslike Munisipaliteit aansoek te doen vir die Wysiging van die Tlokwe dorpsbeplanningskema, 2015, in terme van Artikel 62 van Hoofstuk 5 van die Tlokwe Stadsraad Ruimtelike Beplanning Grondgebruikbestuur Verordening, 2015 deur die hersonering van Gedeelte 1 van Erf 1109, Potchefstroom [geleë te Dwarsstraat 31], vanaf "**Residensieel 1**" na "**Residensieel 4**". Dit is die voorneme van die eienaar om die aansoek perseel te hersoneer met die doel om hoër digtheid wooneenhede te verskaf vir die voorsiening van studenteversblyf.

Eienaar: Johannes Benjamin Volschenk (ID: 830101 5050 08 5)

Adres van gemagtigde agent: H & W TOWN PLANNERS CC (2006/148547/23), MC ROODE RYLAAN 246, POTCHEFSTROOM, 2531, POSBUS 1635, POTCHEFSTROOM, 2520, TEL: 076 051 8979, e-pos: louis@hwtp.co.za

Waarnemende Munisipale Bestuurder: S. Tyatya

12-19

LOCAL AUTHORITY NOTICE 407 OF 2023**APPLICATION FOR REZONING OF PORTION 1 OF ERF 1095, POTCHEFSTROOM, REGISTRATION DIVISION: IQ, NORTH WEST PROVINCE [AMENDMENT SCHEME 2433]**

Notice is hereby given in terms of Section 92 of Chapter 6 of the Tlokwe City Council Spatial Planning and Land Use Management By-Law, 2015, that the under-mentioned application has been received by the JB Marks Local Municipality and is open for inspection during normal office hours at the Office of the Department Human Settlements and Planning, JB Marks Local Municipality, Office 210, Second floor, Dan Tloome Complex, Corner of Wolmarans Street and Sol Plaatjie Avenue, Potchefstroom (email: mariusl@jbmarks.gov.za) or at the imminent address of the authorised agent below.

Any objections/representations must be lodged with or made in writing, or verbally if unable to write, to the Municipal Manager, at the abovementioned addresses or posted to P.O. Box 113, Potchefstroom, 2520 on or before the closing date for the submission of objections/representations, quoting the above-mentioned heading, the objector's interest in the matter, the ground(s) of the objection/representation, the objector's erf and phone numbers and address.

CLOSING DATE FOR SUBMISSION OF OBJECTIONS/REPRESENTATIONS: 12 October 2023

NATURE OF APPLICATION

I, L.J. Botha of H & W Town Planners CC [Reg Nr. 2006/148547/23], being the authorised agent of the owner, intends to apply to the JB Marks Local Municipality for the Amendment of the Tlokwe Town Planning Scheme, 2015, in terms of Section 62 of Chapter 5 of the Tlokwe City Council Spatial Planning and Land Use Management By-law, 2015 through the rezoning of Portion 1 of Erf 1095, Potchefstroom [situated at 19 Coetzee Street], from **"Residential 1"** to **"Residential 4"**. It is the intention of the owner to rezone the application site to provide higher density dwelling units in order to accommodate student accommodation.

Owner: Johannes Benjamin Volschenk (ID: 830101 5050 08 5)

Address of authorised agent: H & W TOWN PLANNERS CC (2006/148547/23), 246 MC ROODE DRIVE, POTCHEFSTROOM, 2531, P.O. BOX 1635, POTCHEFSTROOM, 2520, TEL: 076 051 8979, e-mail: louis@hwtp.co.za.

Acting Municipal Manager: S. Tyatya

12-19

PLAASLIKE OWERHEID KENNISGEWING 407 VAN 2023**AANSOEK VIR HERSONERING VAN GEDEELTE 1 VAN ERF 1095, POTCHEFSTROOM, REGISTRASIE AFDELING: IQ, NOORDWES PROVINSIE [WYSIGINGSKEMA 2433]**

Kennis geskied hiermee in terme van Artikel 92 van Hoofstuk 6 van die Tlokwe Stadsraad Ruimtelike Beplanning en Grondgebruikbestuurskema Verordening 2015, dat ondergemelde aansoek deur die JB Marks Plaaslike Munisipaliteit ontvang is en ter insae beskikbaar is gedurende gewone kantoorure te die kantoor van die Departement Menslike Nedersettings en Beplanning, JB Marks Plaaslike Munisipaliteit, Kantoor 210, Tweede Vloer, Dan Tloome Kompleks, op die hoek van Wolmaransstraat en Sol Plaatjielaan, Potchefstroom (epos: mariusl@jbmarks.gov.za) of by die hieropvolgende adres van die gemagtigde agent soos onderaan genoem.

Enige beswaar/vertoë moet skriftelik, of mondelings indien nie kan skryf nie, by of tot die Munisipale Bestuurder voor die sluitingsdatum vir die indiening van besware/vertoë by genoemde adresse of na Posbus 113, Potchefstroom, 2520 ingedien of gerig word, met vermelding van bogenoemde opskrif, die beswaarmaker se belang in die saak, die grond(e) van die beswaar/vertoë, die beswaarmaker se erf, telefoonnummers en adres.

SLUITINGSDATUM VIR DIE INDIENING VAN BESWARE/VERTOË: 12 Oktober 2023

AARD VAN AANSOEK:

Ek, L.J. Botha van H & W Town Planners BK [Reg No. 2006/148547/23], synde die gemagtigde agent van die eienaar, is van voorneme om by die JB Marks Plaaslike Munisipaliteit aansoek te doen vir die Wysiging van die Tlokwe dorpsbeplanningskema, 2015, in terme van Artikel 62 van Hoofstuk 5 van die Tlokwe Stadsraad Ruimtelike Beplanning Grondgebruikbestuur Verordening, 2015 deur die hersonering van Gedeelte 1 van Erf 1095, Potchefstroom [geleë te Coetzeestraat 19], vanaf **"Residensieel 1"** na **"Residensieel 4"**. Dit is die voorneme van die eienaar om die aansoek perseel te hersoneer met die doel om hoër digtheid wooneenhede te verskaf vir die voorsiening van studenteversblyf.

Eienaar: Johannes Benjamin Volschenk (ID: 830101 5050 08 5)

Adres van gemagtigde agent: H & W TOWN PLANNERS CC (2006/148547/23), MC ROODE RYLAAN 246, POTCHEFSTROOM, 2531, POSBUS 1635, POTCHEFSTROOM, 2520, TEL: 076 051 8979, e-pos: louis@hwtp.co.za

Waarnemende Munisipale Bestuurder: S. Tyatya

12-19

LOCAL AUTHORITY NOTICE 408 OF 2023**APPLICATIONS FOR REZONING OF PORTION 2 OF ERF 1771, POTCHEFSTROOM EXTENSION 8, REGISTRATION DIVISION: IQ, NORTH WEST PROVINCE [AMENDMENT SCHEME 2456] AS WELL AS THE REMOVAL OF RESTRICTIVE TITLE CONDITIONS [TITLE DEED NO. T8538/2023]**

Notice is hereby given in terms of Section 92 of Chapter 6 of the Tlokwe City Council Spatial Planning and Land Use Management By-Law, 2015, that the under-mentioned application has been received by the JB Marks Local Municipality and is open for inspection during normal office hours at the Office of the Department Human Settlements and Planning, JB Marks Local Municipality, Office 210, Second floor, Dan Tloome Complex, Corner of Wolmarans Street and Sol Plaatjie Avenue, Potchefstroom (email: mariusl@jbmmarks.gov.za) or at the imminent address of the authorised agent below.

Any objections/representations must be lodged with or made in writing, or verbally if unable to write, to the Municipal Manager, at the abovementioned addresses or posted to P.O. Box 113, Potchefstroom, 2520 on or before the closing date for the submission of objections/representations, quoting the above-mentioned heading, the objector's interest in the matter, the ground(s) of the objection/representation, the objector's erf and phone numbers and address.

CLOSING DATE FOR SUBMISSION OF OBJECTIONS/REPRESENTATIONS: 12 October 2023

NATURE OF APPLICATION

I, L.J. Botha of H & W Town Planners CC [Reg Nr. 2006/148547/23], being the authorised agent of the owner, intends to apply to the JB Marks Local Municipality for the Amendment of the Tlokwe Town Planning Scheme, 2015, in terms of Section 62 of Chapter 5 of the Tlokwe City Council Spatial Planning and Land Use Management By-law, 2015 through the rezoning of Portion 2 of Erf 1771, Potchefstroom Extension 8 [situated at 36 Silwer Street], from "Residential 1" to "Residential 4". Also, application is made for the Removal of Restrictive Title Conditions A and B on pages 2 to 5 in Deed of Transfer T8538/2023 in terms of Section 63 of Chapter 5 of the Tlokwe City Council Spatial Planning and Land Use Management By Law 2015. It is the intention of the owner to rezone the application site to provide higher density dwelling units in order to accommodate student accommodation.

Owner: Johannes Benjamin Volschenk (ID: 830101 5050 08 5)

Address of authorised agent: H & W TOWN PLANNERS CC (2006/148547/23), 246 MC ROODE DRIVE, POTCHEFSTROOM, 2531, P.O. BOX 1635, POTCHEFSTROOM, 2520, TEL: 076 051 8979, e-mail: louis@hwtp.co.za.

Acting Municipal Manager: S. Tyatya

12-19

PLAASLIKE OWERHEID KENNISGEWING 408 VAN 2023**AANSOEKE VIR HERSONERING VAN GEDEELTE 2 VAN ERF 1771, POTCHEFSTROOM UITBREIDING 8, REGISTRASIE AFDELING: IQ, NOORDWES PROVINSIE [WYSIGINGSKEMA 2456] ASOOK DIE OPHEFFING VAN BEPERKENDE TITELVOORWAARDES [AKTE NO. T8538/2023]**

Kennis geskied hiermee in terme van Artikel 92 van Hoofstuk 6 van die Tlokwe Stadsraad Ruimtelike Beplanning en Grondgebruikbestuurskema Verordening 2015, dat ondergemelde aansoek deur die JB Marks Plaaslike Munisipaliteit ontvang is en ter insae beskikbaar is gedurende gewone kantoorure te die kantoor van die Departement Menslike Nedersettings en Beplanning, JB Marks Plaaslike Munisipaliteit, Kantoor 210, Tweede Vloer, Dan Tloome Kompleks, op die hoek van Wolmaransstraat en Sol Plaatjielaan, Potchefstroom (epos: mariusl@jbmmarks.gov.za) of by die hieropvolgende adres van die gemagtigde agent soos onderaan genoem.

Enige beswaar/vertoë moet skriftelik, of mondelings indien nie kan skryf nie, by of tot die Munisipale Bestuurder voor die sluitingsdatum vir die indiening van besware/vertoë by genoemde adresse of na Posbus 113, Potchefstroom, 2520 ingedien of gerig word, met vermelding van bogenoemde opskrif, die beswaarmaker se belang in die saak, die grond(e) van die beswaar/vertoë, die beswaarmaker se erf, telefoonnummers en adres.

SLUITINGSDATUM VIR DIE INDIENING VAN BESWARE/VERTOË: 12 Oktober 2023

AARD VAN AANSOEK:

Ek, L.J. Botha van H & W Town Planners BK [Reg No. 2006/148547/23], synde die gemagtigde agent van die eienaar, is van voorneme om by die JB Marks Plaaslike Munisipaliteit aansoek te doen vir die Wysiging van die Tlokwe dorpsbeplanningskema, 2015, in terme van Artikel 62 van Hoofstuk 5 van die Tlokwe Stadsraad Ruimtelike Beplanning Grondgebruikbestuur Verordening, 2015 deur die hersonering van Gedeelte 2 van Erf 1771, Potchefstroom Uitbreiding 8 [geleë te Silwerstraat 36], vanaf "Residensieel 1" na "Residensieel 4". Addisioneel word daar aansoek gedoen vir die Opheffing van Beperkende Titel Voorwaardes A en B op bladsye 2 tot 5 in Transportakte T8538/2023 in terme van Artikel 63 van Hoofstuk 5 van die Tlokwe Stadsraad Ruimtelike Beplanning Grondgebruikbestuur Verordening, 2015. Dit is die voorneme van die eienaar om die aansoek perseel te hersoneer met die doel om hoër digtheid wooneenhede te verskaf vir die voorsiening van studenteversblyf.

Eienaar: Johannes Benjamin Volschenk (ID: 830101 5050 08 5)

Adres van gemagtigde agent: H & W TOWN PLANNERS CC (2006/148547/23), MC ROODE RYLAAN 246, POTCHEFSTROOM, 2531, POSBUS 1635, POTCHEFSTROOM, 2520, TEL: 076 051 8979, e-pos: louis@hwtp.co.za

Waarnemende Munisipale Bestuurder: S. Tyatya

12-19

LOCAL AUTHORITY NOTICE 409 OF 2023**CITY OF MATLOSANA****BY-LAWS RELATING TO THE BUILDING CONTROL MATTERS IN THE MUNICIPAL AREA**

Notice is hereby given in terms of the provisions of section 12(3) (b) of the Local Government Municipal Systems Act, 2000, as amended, that it is the intention of the City of Matlosana to introduce the By-Laws Relating to the Building Control Matters in the City of Matlosana.

Copies of the proposed By-Laws Relating to the Building Control Matters in the City of Matlosana will lie for inspection at the following places:

- Room 109, Civic Centre, Klerksdorp
- All Libraries in the KOSH area

During office hours (07h45 – 13h00 and 13h45 – 16h30).

Any person who wishes to comment on the proposed By-Laws Relating to the Building Control Matters in the City of Matlosana must submit it in writing with the undersigned within a period of thirty (30) days from the date of publication of this notice in the press.

Any person who cannot write may come during office hours, where the Assistant Director: Town Planning & Building Survey, Mr. D Selemoseng, in Room 206, Civic Centre, Klerksdorp will assist to transcribe comments or representations.

The proposed By-Laws Relating to the Building Control Matters in the City of Matlosana will become effective in terms of Section 13 (a) and (b) of the Local Government: Municipal Systems Act, 2000, as amended on the date of promulgation in the Provincial Gazette, after Council considered inputs from the above process.

PO Box 99
Civic Centre
KLERKSDORP

L SEAMETSO
MUNICIPAL MANAGER

Notice: 41/2023

CITY OF MATLOSANA LOCAL MUNICIPALITY**BY-LAWS RELATING TO THE BUILDING CONTROL MATTERS IN THE MUNICIPAL AREA**

To provide a regulatory framework for the construction of buildings in formal areas and traditional settlement/ farm areas within the City of Matlosana Local Municipality municipal jurisdiction, to promote uniformity with formal areas and traditional settlement/ farm areas in terms of building structures that are sustainable, structurally sound and comply with the energy efficiency requirements, to bridge a gap between the stringent National Building Regulations and Standards Act, 1977 (Act No. 103 of 1977), to establish a building standard and regulate the installation of structures, to provide guidelines for property owners regarding problem buildings within the City of Matlosana Local Municipality and the regulation thereof, to regulate structures that are referred to as minor building works in the National Building Regulation and Building Standards Act, 1977 (Act No. 103 of 1977); to enforce the building standard related thereto and provide for offences and penalties.

PREAMBLE

WHEREAS Section 24 of the Constitution of the Republic of South Africa (Act No. 108 of 1996) states that everyone has the right to an environment that is not harmful to their health or well-being; and to have that environment protected, for the benefit of present and future generations;

WHEREAS Section 32 of the Constitution states that everyone has the right to any information held by the state; and any information that is held by another person and that is required for the exercise or protection of any rights;

WHEREAS Section 156(1) of the Constitution confers on municipalities the right to administer local government matters listed in Part B of the schedule 4 and 5;

WHEREAS Section 156(2) and (5) of the Constitution provides that a municipality may establish and administer Bylaws for the effective administration of the matters which it has a right to administer and exercise any power concerning a matter reasonably necessary for, incidental to, the effective performance of its functions;

WHEREAS Section 11(3)(m) of the Municipal Systems Act, 2000 (Act No. 32 of 2000) grants municipalities the right to adopt Bylaws;

WHEREAS Section 4 of the National Building Regulations and Standards Act, 1977 (Act No. 103 of 1977) empowers the Council to provide approval for applications in respect of erection of buildings;

WHEREAS Section 7 of the National Building Regulations and Standards Act, 1977 (Act No. 103 of 1977) empowers the Council to control the design and the construction of the buildings;

WHEREAS the Construction Regulations of 2014 under Section 43 of the Occupational Health and Safety Act, 1993 (Act No. 85 of 1993) describe the requirements and obligations that must be complied with when embarking on construction work to ensure that all construction work is performed in a safe manner.

CHAPTER 1
DEFINITIONS, APPLICATION OF THE BY-LAW, PRINCIPLES, NORMS AND STANDARDS AND POLICIES

1. Definitions
2. Application of By-law
3. Principles, norms and standards and policies

CHAPTER 2
BUILDING CONTROL BYLAW

4. Purpose of the Building Control Bylaw
5. Contents of Building Control Bylaw
6. Legal effect of Building Control Bylaw

CHAPTER 3
APPROVAL AUTHORITY
Establishment, Functions and Powers of the Building Control

7. Building Control Officer
8. Building Control Building and Drainage Inspector
9. Building Control Admin Clerk

CHAPTER 4
KEEPING OF RECORDS AND ACCESS TO INFORMATION

10. Record of the building control bylaw
11. Record of applications for building plan approval
12. Access to information held by Municipal Manager
13. Lodging of public complaint

CHAPTER 5
APPLICATIONS FOR BUILDING CONTROL APPROVAL
Categorisation of Building Plan Approval Applications

14. Submission of building Plans
15. Approval of building plans
16. Erection of structures which require building plan approval
17. Signage (Outdoor advertisement)
18. Erection of structures which do not require building plan approval
19. Minor Building Works
20. Temporary Structures
21. Illegal building work
22. Building rubble
23. Problem Buildings/ Dilapidated Buildings
24. Compliance notice on problem buildings
25. Swimming pool
26. Restriction on erection buildings
 - 26.1. Building activities that require approval from the municipality
 - 26.2. Building inspection requirements
 - 26.3. Certificate of occupancy
 - 26.4. Demolitions
 - 26.5. Relay of storm-water from high-lying erven to lower-lying erven
 - 26.6. Sewer layout under covered and/or enclosed areas
27. Exposure of boundary pegs
28. Enforcement of the national building regulations

- 29. Expiry period of an approved building plan
- 30. Boundary walls
- 31. Electric Fences
- 32. Roofs

**CHAPTER 6
FARM AREAS:**

Procedures relating to the management and control of structures erected within farm Areas

- 33. Building plan requirements
- 34. Structural requirements
- 35. Septic tank
- 36. Public safety

**CHAPTER 7
ENFORCEMENT**

- 37. Appointment of the Municipal Building Control Law Enforcement Officer
- 38. Powers and Functions of a Municipal Building Control Law Enforcement Officer
- 39. Offences and penalties
- 40. Additional penalties
- 41. Contravention penalty charge to prevent the continuation of an activity that constitutes an offence
- 42. Entry by Building Control Law Enforcement Officer
- 43. Observance of confidentiality pertaining to entry for enforcement purposes
- 44. Relationship between remedies provided in this By-law and other statutory and common law remedies

**CHAPTER 8
APPEALS**

- 45. Appeals

**CHAPTER 9
GENERAL PROVISIONS**

- 46. Legal indemnification
- 47. Calculation of number of days

CHAPTER 1

1. Definitions

In this Bylaw all words and phrases, except the words and phrases defined in this Bylaw, have the same meaning as in the National Building Regulations and Standards Act, 1977 (Act No. 103 of 1977), the National Building Regulations (NBR) made under the Act and the user's code of practice for the application of the NBR, namely SANS10400 and, unless the context otherwise indicates –

“Accounting officer” means the Municipal Manager (MM) appointed by the council in the terms of Section 56 of the Municipal Systems Act.

“Advertising sign” means any physical structure built to display advertising

“Agricultural Holding” means a holding established in accordance with the Agricultural Holdings (Transvaal) Registration Act, Act 22 of 1919.

“Applicant” means any person who makes an application.

“Application” means an application contemplated in section 4 of the NBR.

“Approval” means formal approval made by the City of Matlosana Local Municipality or any authorised official contemplated in Section 7(7)(b) of the NBR.

“Approved” means approved by the City of Matlosana Local Municipality.

“As Built” means a structure that was approved for construction by means of an approved building plan but has deviated from the approved building plan.

“Authorised official” means an employee of the City of Matlosana Local Municipality such as Building Control Officer, Building Inspectors, Town Planners, Plan Examiners and Clerks, authorized by the Municipal Manager to implement and enforce the provisions of this Bylaw.

“Block” means any masonry unit which has a length more than 300mm or a width of more than 130mm.

“Boundary wall” is a wall constructed on the cadastral boundary as per the surveyor general diagram between one or two owners.

“Brick” means any masonry unit which has a length of 220mm or a width of 110mm.

“Building” includes-

a) any structure, whether of a temporary or permanent nature irrespective of the materials used in the erection thereof, erected or used for or in connection with-

- i. the accommodation or convenience of human beings or animals;
- ii. the manufacture, processing, storage, display or sale of any goods;
- iii. the rendering of any services;
- iv. the destruction or treatment of refuse or waste materials;
- v. the cultivation or growing of plant or crop;

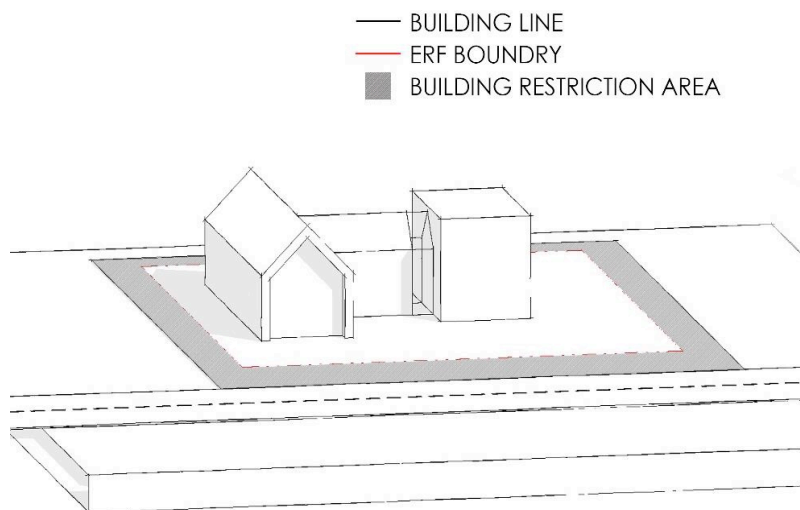
b) any wall, swimming bath, swimming pool, reservoir or bridge or any other structure connected therewith;

- c) any fuel pump or any tank used in connection therewith;
- d) any part of the building, including a building as defined in paragraph (a),(b) or (c);
- e) any facilities or system, or part or portion thereof, within or outside but incidental to a building, for the provision of water supply, drainage, sewer, and storm-water disposal, electricity supply or other similar services in respect of the building.

“Building control officer” means any person appointed or deemed to be appointed as a building control officer by the City of Matlosana Local Municipality in terms of section 5 of the NBR Act, (Act 103 of 1977).

“Building Lines” an imaginary line on a Property usually parallel to and at a specific distance from a Boundary and between which line and ‘Boundary’ no Building(s), except those permitted in the City of Matlosana Land Use Management Scheme, 2023 may be erected: Provided that where ‘Building Lines’ overlap on any Property the most restrictive Building Line will apply.

“Building Restriction Area” an area of a Property on which no Building(s) may be erected, save as allowed in the City of Matlosana Land Use Management Scheme, 2023, and which is bordered on one side by a Building Line and/or Road Boundary or any other Boundary, or which is subject to flooding as indicated by a flood water mark and designated by a Flood Line.



“Building rubble” means waste produced through the construction, alteration, repair or demolition of any structure both manmade and natural and includes rubble, earth, wood, rock, glass, plastic, metals, asphalt, bitumen and bitumen products, installation material, concrete, bricks, tiles, ceramics and gypsum based materials but exclude garden waste and asbestos.

“Canopy” means a structure in the nature of a roof projecting from the façade of a building and cantilevered from that building or anchored otherwise by columns or posts.

“Carport” means a building intended to provide a shelter for a motor vehicle, caravan or boat and having a roof but having walls on not more than two sides.

“Category 1 building” means building which,

- a. is designated as being of Class A3, A4, F2, G1, H2, H3, H4, Regulation A20 annexure A of the National Building Regulation
- b. has no basement
- c. has a maximum length of 6m between intersecting walls or members providing lateral support, and,
- d. has a floor area that does not exceed 80m²
- e. roof should have no hips and valleys.

“Cleaning eye” means access opening to the interior of a discharge pipe or trap provided for the purpose of internal cleaning, and which remains permanently accessible after completion of the drainage installation.

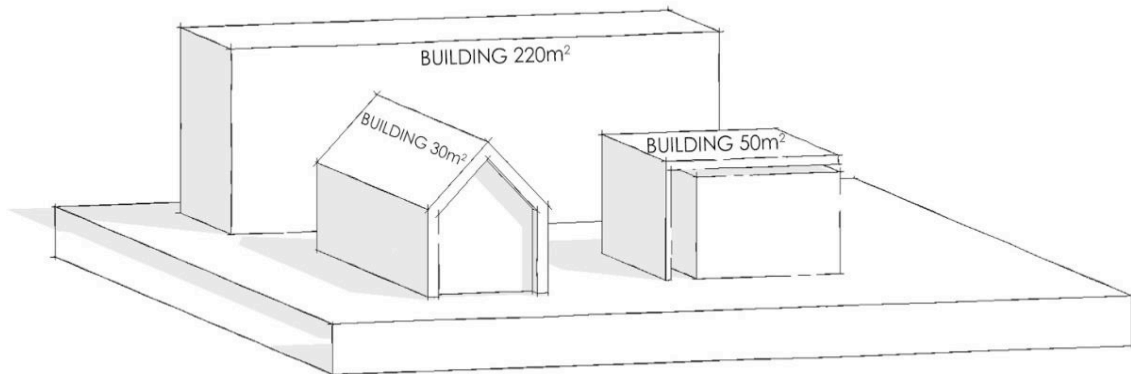
“Competent person” means a person who is qualified by virtue of his education, training, experience and contextual knowledge to make a determination regarding the performance of a building or part thereof.

“Conservancy tank” means a covered tank used for the reception and temporary retention of sewage, and which requires emptying at intervals.

“Coverage” means the total area of a Land unit that may be covered by Buildings, expressed as a percentage of the area of the Land unit, as seen vertically from the air measured from the outer face of exterior walls, and shall include all roofed areas; provided that the following portions of Buildings shall be disregarded in the calculation of Coverage:

- a) Unroofed Stoep, entrance steps and landing;
- b) Open balconies, retractable awnings;
- c) Cornices, chimneys, water pipes, drain pipes and minor decorative features not projecting more than 500mm from the Building wall;
- d) Eaves / a roof over-hang not projecting more than 1,0m from the wall of the Building;
- e) A Canopy erected on the road frontage of a Shop;
- f) Electrical high and low tension chambers;
- g) The area covered by open air swimming pool;
- h) Veranda / Balcony that is not screened.
- i) Veranda / Balcony screened by a Parapet not more than one (1) meter in Height or a wire gauge screen.

- j) Tennis courts, garden ornaments, access Structures (other than access passages and entrance halls), Boundary fences, garden walls, garden fences and pergolas.



Coverage = Area of buildings seen vertically from above
Total area of property × 1001
 $Coverage = \frac{220m^2 + 50m^2 + 30m^2}{900m^2} \times 1001$
 $Coverage = 33.3\%$

“Discharge pipe” means pipe which conveys the discharge from a sanitary fixture to a drain, and includes a soil pipe, a waste pipe, a discharge stack, a branch discharge pipe or a fixture discharge pipe

“Earthed” means connected to the general mass of earth in such a manner as to ensure at all times and immediate safe discharge of electrical energy

“Encroachment” means any projection from a building which encroaches under, into or over any street or public place, building line, boundary line and municipal servitude.

“Electric fence” means an electrified barrier erected on top of the boundary wall or attached to a boundary wall or fence. It may consist of one or more conductors erected against trespass of persons or animals.

“Flood lines” means lines on a map or drawing depicting water levels likely to be reached by a flood having a specified recurrence interval.

“Floor Area” FLOOR AREA– the total of the ‘Floor Area’ occupied by a ‘Building’ at the floor level of each ‘Storey’: Provided that in the calculation of the ‘Floor Area’ the following areas shall not be included:

- a) Any area, including a ‘Basement’, which is reserved solely for parking or loading of vehicles,
- b) External entrance steps and landings, any ‘Canopy’, any ‘Stoep’ and any area required for external fire escapes,
- c) A projection including a projection of ‘Eaves’, and a projection which acts as a sunscreen or an architectural feature, which projection does not exceed 1,0 m beyond the exterior wall or similar support,

- d) Any uncovered internal courtyard, lightwell or other uncovered shaft which has an area in excess of 10m²,
- e) Any covered paved area outside and immediately adjoining a 'Building' at or below the 'Ground Floor' level, where such paved area is part of a forecourt, yard, external courtyard, pedestrian walkway, parking area or vehicular access, and which is permanently open to the elements on at least the front or long side,
- f) Any covered 'Balcony', 'Verandah' or terrace which, apart from the protective railings, is permanently open to the elements on at least the front or long side, and which does not exceed 2,5 m in width,
- g) In the case of multi-level 'Buildings', any stairwells, liftwells, lightwells or other wells, and any 'Atrium', shall only be counted once; and provided further that:
- h) Floor space shall be measured from the outer face of the exterior walls or similar supports of such 'Building', and where the 'Building' consists of more than one level, the total floor space shall be the sum of the floor space of all the levels, including that of 'Basements'; and shall also include any stairs, stairwells and 'Atriums' that are covered by a roof in the case of single level 'Buildings'.

"French drain" means trench filled with suitable material which is used for the disposal of liquid effluent from a septic tank or waste water

"Foundation" means that part of the building which is in direct contact with and is intended to transmit loads to the ground.

"Free-standing wall" means a wall, not being a retaining wall, without lateral support.

"Height" The height of a building means a vertical dimension of the building from the natural ground level to the highest point of the building, measured in meters or number of storeys; provided that:

- a) height restrictions referring to number of storeys do not apply to roofs, domes, chimneys, flues, masts and antennae;
- b) and elevator motor rooms, satellite dishes, ventilation shafts, water tanks, air conditioning plant and equipment on top of a building, shall not be deemed to constitute a storey, unless enclosed within the roof or hidden behind parapet walls.

"Industrial effluent" means a liquid which might or might not contain matter in solution or suspension which is given off in the course of or as a result of any industrial, trade, manufacturing, mining or chemical process or any laboratory research.

"Inspection eye" means access opening to the interior of any pipe or pipe fitting in a drainage installation provided solely for the purposes of inspection and testing, and to which permanent access after completion of the drainage installation need not be provided.

"land use scheme" means the land use scheme as per Chapter 5 of the Spatial Planning and Land Use Management Act, 2013 (Act 16 of 2013), and includes amongst various others. In this instance the land use scheme is the City of Matlosana Land Use Management Scheme, 2023.

"Masonry wall" means an assembly of masonry units joined together with mortar or grout.

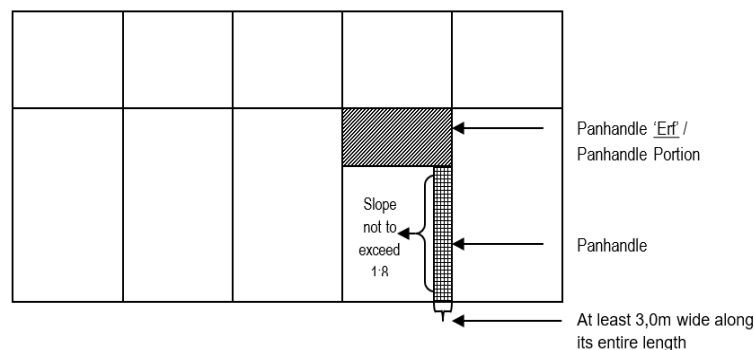
"Owner" in relation to a building means-

- a. the person in whose name land is registered in the Deeds Registry at Pretoria.

- b. the beneficial holder of a real right in land or a holder of a registered long term lease
- c. an Organ of State in whom land vests, or if it has been given notice of its intention to expropriate the land
- d. a person who is a beneficial occupier of land in accordance with customary law or practice or community rules adopted by community members in terms of the adopted constitution of land holding entity.

“panhandle” means the access section of a ‘Panhandle Erf or Panhandle Portion’, which section:

- a) shall exclusively provide access from a ‘Road’ to the panhandle portion;
- b) must be at least 3m wide along its entire length and not more than 8m wide;
- c) shall have a slope that does not exceed 1:8;
- d) shall provide access only to the ‘Erf’ of which it forms a part as well as the ‘Property’ in favour of which a servitude of right of way has been registered over the ‘Panhandle’;
- e) shall for the purpose of this ‘Scheme’ not be considered as a part of the ‘Erf’;
- f) no ‘Building’ or ‘Structures’ except screen walls or dense barriers erected along the boundaries of the ‘Panhandle’ to the extent and of the material, design, ‘Height’, position and maintenance as determined by the ‘Local Authority’ shall be erected in the ‘Panhandle’.



“Party boundary wall” means a wall that stands astride a boundary and the boundary will normally run along the centre line of the wall.

“Percolation rate & test” is the test to determine the water absorption rate of soil (that is, its capacity of percolation) in preparation for the building of the septic drain field (leach field) or infiltration drain.

“Prefabricated septic tank” means a single piece factory made unit, including inlet and outlet openings, which leaves the factory completed, controlled and ready for installation.

“Property” means any erf, erven, lot(s), plot(s) or stand(s), portion(s) or part(s) of farm portions or agricultural holdings, registered in the deeds registry as such.

“Problem building” includes any building or portion of a building-

- a) that appears to have been abandoned by the owner with or without the consequence that rates or other service charges are not paid;

- b) that is derelict in appearance, overcrowded or is showing signs of being unhealthy, unsanitary, unsightly or objectionable;
- c) that is the reason of written complaints in respect of criminal activities, including drug dealings and prostitution;
- d) that is illegally occupied;
- e) where refuse material is accumulated, dumped, stored or deposited with the exception of licence waste disposal facilities; or
- f) that is partially completed or structurally unstable and is a threat or danger to the safety of the general public.

“public road” means any ‘Road’ or thoroughfare shown on the General Plan of a ‘Township’, ‘Agricultural Holding’ or other division of ‘Land’ to which the public has acquired a right of way, whether for vehicles or pedestrians or public or urban squares, of which the ownership as such vests or will vest in the ‘Local Authority’ in terms of the Local Government Ordinance, Ordinance 17 of 1939.

“Septic tank” means a tank designed to receive sewage and to effect the adequate decomposition of the organic matter in the sewage.

“Sewer” means a pipe or conduit which is in the property which is used or intended to be used for the conveyance of sewage.

“Servitude” servitude registered against a title deed of land

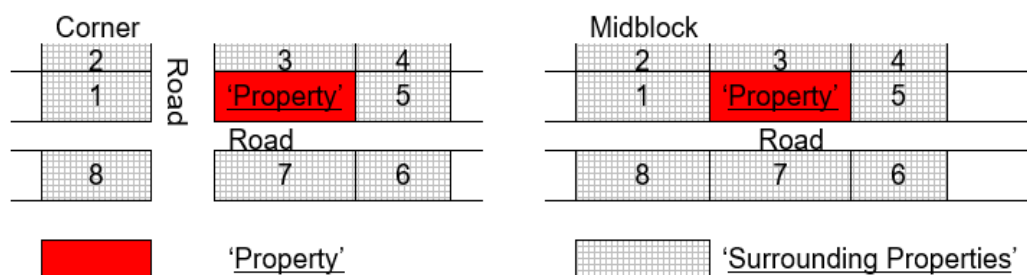
“Site Development Plan” a plan that shows the proposed development of a property and any salient natural features thereof in accordance with the guidelines contained in the City of Matlosana Land Use Management Scheme, 2023 as stipulated in clause XXXX :

“Storage tank” means tank, other than any tank used for storage of hot water or any cistern serving a toilet pan or a urinal, which forms part of a water installation and is used for the storage of water.

“Storm-water” means water resulting from natural precipitation or accumulation and includes rainwater, surface water, subsoil water or spring water.

“Storm-water drain” means a pipe, conduit or surface channel situated on a site, which is used to convey storm-water to a suitable point of discharge.

“surrounding owners” means the ‘Land’ which is contiguous to the ‘Land’ which forms the subject of the ‘Application’, even though it may be separated by a ‘Road’ or ‘Panhandle’, except if indicated differently by the ‘Local Authority’.



“Surveyor General Diagram” A Surveyor General Diagram is the fundamental registerable document prepared by the land surveyor. This document consists of very essential property and land information. This information includes the unique designation of the property; an illustration showing the property; the boundary description listing the corner beacons and the details of any curvilinear boundary; descriptions of the corner beacons; a table listing the numerical data of the boundaries and the size of the property.

“**Temporary structure**” means a ‘Building’ designated as such by the ‘Owner’ after consulting with the ‘Local Authority’ and which is ‘Used’, or will be ‘Used’, for a specified period for a specified purpose, but does not include a building shed.

“True North” True north is the direction that points directly towards the geographic North Pole.

“**Ventilation pipe**” means a vent pipe which leads to the open air at its highest point and which provides ventilation throughout a drainage installation for the purpose of preventing the destruction of water seals, but does not include discharge pipe.

“**Vent stack**” means a main vertical ventilation pipe of any part of a drainage installation.

“**Waste water**” means used water which is not contaminated by the soil water or industrial effluent and which does not include storm-water.

“**Water seal**” means water in a trap which acts as barrier against the flow of any foul air or gas.

2. Application of this Bylaw

(1) This Bylaw applies to all land which falls within the municipal area under City of Matlosana Local Municipality and binds all persons.

(2) When considering an apparent conflict between this Bylaw and another law, a court of law must prefer any reasonable interpretation that avoids a conflict over any alternative interpretation that results in a conflict.

(3) In the event of a conflict between the Building Control Bylaw and the NBR, the provisions of this By-law shall prevail to the extent that the provisions of this By-law give effect to “municipal building control” as an exclusive executive local government competence as contemplated in Part B of Schedule 4 of the Constitution.

(4) No person may erect a structure or develop land without approved building plans or approval granted in terms of this By-law.

3. Principles, norms and standards and policies

(1) Any development principles and any norms and standards applicable to building control made in terms of national or provincial legislation apply to the Municipality.

(2) The Municipal Council may adopt policies, procedures and guidelines, which are consistent with national legislation, provincial legislation or this Bylaw to guide applications or decisions made in terms of this By-law.

CHAPTER 2 BUILDING CONTROL BYLAW

4. Purpose of the Building Control Bylaw

This Bylaw is supplementary to the National Building Regulations and is applicable to every buildings and structures, to the operation and maintenance of any such installation in any new building or existing building with or without any alteration or additional to such an existing installation, whether or not required by the Council to be made or altered in terms of the National Building Regulations and this Bylaw.

5. Contents of Building Control Bylaw

The building control bylaw must comply with the National Building Regulations and-

- a. define the structure to which it applies;
- b. define the terminology used in the plan and clauses; and
- c. specify types of structures that are permitted and the conditions under which they are permitted; and
- d. specify structures that are not permitted;
- e. specify the extent to which structure is being used lawfully for a purpose that does not conform to the municipal bylaws may be continued to be used for that purpose and the extent to which buildings or structures on that land may be altered or extended.

6. Legal effect of Building Control Bylaw

(1) An adopted building control Bylaw-

- a. has the force of law and all land owners and users of land, within the municipal area are bound by the provisions of such a Bylaw;
- b. is an extension of the National Building Regulations within the municipal area to which it applies; and

(2) Structures may be erected only in the manner and for the purposes laid out in the approved building plans.

CHAPTER 3 MUNICIPAL BUILDING CONTROL APPROVAL AUTHORITY INSTITUTIONS *Establishment, Functions and Powers of the Building Control*

7. Building Control Officer (BCO)/ Chief Building Inspector

The Municipality must appoint a person as a Building Control Officer in order to exercise and perform the powers, duties or activities granted or assigned to a BCO by or under the NBR.

7.1. Functions and Powers of BCO

A Building Control Officer shall-

- a) make recommendations to the Municipality, regarding any plans, specifications, documents and information submitted to such local authority in accordance with Section 4 (3) of the NBR (National Building Regulations);
- b) ensure that any instruction given in terms of the NBR by the Municipality be carried out;
- c) inspect the erection of a building, and any activities or matters connected therewith, in respect of which approval referred to in Section 4 (1) of the NBR was granted;
- d) reports to the municipality, regarding non-compliance with any condition on which approval referred to in Section 4(1) of the NBR was granted.

8. Building Control- Building & Drainage Inspector

A Building Inspector is responsible for ensuring that the plans submitted to the municipality are in accordance with Regulation A2 (1) as stipulated in the NBR and Building Standards Act, 1977 (Act No.103 of 1977). The Building inspector reviews and assesses all plans and application documentation

submitted for compliance with all local municipal bylaws and SANS 10400 codes; and does related work as required.

A Building Inspector performs skilled/specialized inspection and building plan review work involving the interpretation and enforcement of Building Codes, Regulations for both building, health and safety issues and performs related work as required.

8.1. Functions and powers of a Building & Drainage Inspector

A Building Inspector –

- e) Check building plans and compare manufacturer details and specifications, circulate plans for comments by other departments.
- f) Check all other related forms, fees for correctness and approves / reject the application.
- g) Reviews building plan applications and materials for all significant structures/developments.
- h) Liaise with homeowners, developer, builders, architectural professional and engineers in order to obtain compliance on plans submitted.
- i) In order to ensure that laid down specifications, standards and statutory requirements controlling prescriptions and approval of building plans are observed, building plans processed and notification of referrals/approval on submissions are circulated within established timeframes.
- j) Referrals/ Approval of plans are returned to the clerks for further processing
- k) Reports directly to the Building Control Officer
- l) Is the authorized official who may enter any premises at any reasonable time with a view to investigate, monitor, inspect and regulate as outlined in SANS 10400 and in this Bylaw.
- m) Respond to inquiries and complaints from the public regarding codes and other issues with projects, both over the phone, at the public counter and on site.
- n) Issue notices for non-compliance as contemplated in subsection (l
- o)) of this Bylaw and NBR.
- p) Attends to public complaints regarding building encroachments and illegal construction.
- q) Recommend for occupancy and the authority to revoke occupancy.
- r) Scrutinize building plans in detail for compliance with the NBR and Building Standards Act 1977, (Act No.103 of 1977), municipal Bylaws, SANS codes and all other legislation.

9. The Building Control Admin Clerk

Renders an administrative support function to the Building Control Section

9.1. Functions of Building Control Admin Clerk

- a) Provide administrative support to Building Control such as-
 - i. managing the processing of building plan applications from submission time until the application has been approved or rejected;
 - ii. control record keeping for all application received;
 - iii. deals with inquiries/ complaints from public whether in person or telephonically and transfers calls to rightful intended;
 - iv. managing building plan archives and the movement of files thereof;
 - v. compile building control statistics for STATS SA
 - vi. helps the BCO in compiling a Service Delivery and Budget Implementation Plan. (SDBIP)

CHAPTER 4

KEEPING OF RECORDS AND ACCESS TO INFORMATION

10. Record of the building control bylaw

The Building Control Bylaw must be reviewed annually, unless otherwise specified by the NBR and City of Matlosana Local Municipality.

11. Record of applications for building plan approval

11.1. The Municipality must keep the register of all building plan applications submitted for approval.

11.2. The Municipality must keep the copies of approved building plan and application documents to which the public has a right to access. The following is required from the public to access municipal records:

- a) presentation of Rates Statement
- b) Identity Document of owner
- c) Power of attorney/ Proxy letter with proof of identity of authorised individual
- d) Authority letter signed by the owner, together with the copy of owner's Identity document, if the owner is not present.

12. Access to information held by Municipal Manager

The records that are held by the Municipal Manager must be regarded as records that are automatically available as contemplated in Section 15 of the Promotion of Access to Information Act 2 of 2000.

13. Lodging of public complaint

14.1. Complainant must submit a written complain letter with all the relevant details and contact numbers.

14.2. Building Control Officer to allocate building Inspector to investigate allegation.

14.3. Building Inspector must submit a report and Building control officer to make recommendations regarding the outcome.

14.4. Building Control Officer to make recommendations regarding the outcome.

CHAPTER 5**APPLICATIONS FOR BUILDING CONTROL APPROVAL: *Categorisation of Building Plan Approval Applications*****14. Submission of Building Plans****14.1 Documents required for submission**

- a) Registered Owner's ID Copy
- b) Proof of stand ownership i.e. Rates and taxes accounts and title deed/ purchase contract/ site permit
- c) SACAP application form filled in by a SACAP registered architect or draftsman
- d) Municipal building plans application forms.
- e) An Engineer Certificate appointment application form, where necessary
- f) Proof of Building plans payment.
- g) Permission letter from the body corporate, where necessary.
- h) 2 Copies of plans, 1 black & White copy and 1 Colour copy, dated and signed by the owner.
- i) Engineer drawings dated and signed by both the engineer and the owner, where necessary.

14.2 Building Plans Fees

Building plans fees are calculated as per the total square meters on the plans and as per the building plan fees schedule for each financial year.

If 2 or more units are being submitted in one erven, fees are charged as per each unit's total square meters or per each unit's square meter in a block of flats.

14.3 Additional Fee

When a plan is resubmitted from comments, additional fee is charged after a year of submission and as per that financial year's fees.

15. Approval of Building Plans

Building Control is responsible for circulation and approval of building plans. Building plans are circulated to different departments to give comment or approval as per the National Building regulations. Building plans circulate to: Building Inspector; Town Planner, Environmental health; Community Services; Electrical; Structural; Fire; Traffic; Roads; Sewer; Water and to the Chief Building Inspector. (Not every plan is circulated to all these departments, circulation depends on the structure of the plan)

Provided that the municipality shall grant or refuse, as the case may be, its approval in respect of any application where the architectural area of the building to which the application relates is less than 500 square meters, within a period of 30 days after the receipt of the application and where the architectural area of the building is more than 500 square meters, within a period of 60 days after the receipt of the application.

16. Erection of structures which require building plan approval

16.1. All structures as laid out in the NBR and in Section 13 listed below require building plan approval:

- a) carports;
- b) swimming pools, koi ponds and water feature exceeding 300mm depth;
- c) awnings;
- d) boundary walls or fences excluding diamond mesh;
- e) signage (outdoor advertisement);
- f) telecommunication towers;
- g) temporary structures;
- h) underground and aboveground fuel storage tanks;
- i) silos;
- j) wooden decks exceeding 900mm in height;
- k) change of roof design
- l) any internal alteration;
- m) reservoirs and bridges.
- n) braai areas

17. Signage

General Provision

17.1. Outdoor advertisement exceeding 9m², that is mounted on the building or roof top, or mounted on a free standing post or column constructed on a foundation require an approval by the Municipality in respect of submission of building plan prior to installation.

17.2. All Outdoor advertisement must comply with the provisions of the City of Matlosana Outdoor Advertising Policy, as well as the consent of the Section: Spatial Planning & Land Use Management Section (Town Planning).

18. Erection of structures which do not require building plan approval

18.1. Permeable roof structures are exempt from building plan approval. These structures include:

- a) shade cloth
- b) pergola

19. Minor Building Works

Any structural building work that is defined as a minor building work requires authorisation by the Municipality before the owner may commence with any work These minor works are as follows:

- a. braai area without any roof covering;
- b. wooden gazebo not exceeding 15m²;

- c. garden/tool shed/wendy house not exceeding 10m², should be used only for storage purposes and; must be built in such a way that it is not visible from the public street and is 2m away from the adjacent boundary;
- d. child's playhouse not exceeding 15m²;
- e. shrines or place of worship not exceeding 10m² provided it does not require any structural support;
- f. animal shelter not exceeding 10m²;
- g. replacement of windows or doors provided that the existing frames are not load bearing and that the openings are not enlarged, or that any openings needed for fire escapes are not removed;
- h. minor repairs to a house or shop- for example, replacement of the same or similar roofing or tile/sheeting;
- i. new appliances or new fitting- for example, installing new toilet, bath or geyser or changing the position of these, provided that the work does not require new or extended drainage or plumbing.

20. Temporary Structures

20.1 No person should install a temporary structure without a written permission from the Municipality.

19.1. The applicant may apply to install the structure for the duration of 12 months.

20.2. If the applicant requires extension of time, the following is required:

- a) a formal submission of building plan and submission fee;
- b) must specify on the application the purpose and the use of the structure; and
- c) must specify the period she or he intending to have the structure.

20.3. Temporary structure should be built or installed without foundations and concrete floor slabs.

20.4. These structures must not encroach on boundary line, building line, road reserve and municipal services.

20.5. Removal of temporary structure

The property owner is responsible to demolish/ remove the temporary structure within 14 days of the expiry date of the approval granted.

21. Illegal Building Works

No person shall without the prior approval in writing of the municipality, erect any building in respect of which plans and specifications are to be drawn and submitted to the municipality.

- a. Any person erecting and building in contravention of the provisions of this act shall be guilty of an offence and liable to a fine.
- b. The fine should be paid within 30 days of the date the fine was issued.
- c. Should the fine not be paid within the stipulated time, the fine amount will be added to the owner's property rates account
- d. Alternatively, may consult Electrical Department to switch off the electricity until the owner comply.
- e. Should the owner fail to comply, all notices issued, will be sent to legal department, for application for demolishing of the said structure.

22. Building Rubble

- a. Any person erecting or demolishing any building shall remove any surplus material and matter arising from such erection or demolition from the site and from any land or public street or place affected by such material or matter during or after the completion of such erection or demolition.
- b. No occupancy certificate or final approval shall be granted if the building rubble is not removed.
- c. A 14 days' Notice shall be issued to the owner according to regulation F8 and F9 of the National Building regulations, failing which a fine shall be issued to the owner.

- d. Failure to pay the fine, fine amount will be added to the property rates account.
- e. Municipality may remove the rubble and the owner will be liable of all costs endured.

23. Problem Buildings / Dilapidated Buildings

Notice of intention to declare the building as a problem building

In the event that the Municipality is of the opinion that the building should be declared a problem building as defined in Chapter 1 (Definitions) of this Bylaw, it must serve a written notice to the owner.

- a) informing the owner that the Municipality intends to declare the building to be a problem building;
- b) giving reasons why the Municipality intends to declare the building to be a problem building;

24. Compliance notice on problem buildings

24.1 The authorised official shall serve the notice on the owner, or occupant, or representative of the owner of any building which is dilapidated requiring such owner within a specified period according to section 12 of the National Building Regulations-

- a. repair, renovate, repaint, alter, close, demolish, secure, or remove all refuse from such problem building;
- b. complete the construction of such building or any structure;
- c. enclose, fence or barricade such building to the satisfaction of the Municipality;
- d. appoint and instruct, at the cost of such owner, an approved competent person, referred to "A19" of the NBR
- e. to examine a condition that gave rise to the declaration of such building and to report to the authorised official on the nature and extent of the steps to be taken, which in the opinion of such approved competent person needs to be taken in order to render such building safe;
- f. dispose of, destroy or remove any material or article accumulated, dumped, stored or deposited in any building, which is refuse or waste and which is showing signs of becoming unsightly, unsanitary, unhealthy or objectionable or is likely to constitute an obstruction; or
- g. comply with any provision of this Bylaw.

24.2 Failure to comply with subsection 24.1 a fine may be issued to the owner.

24.3 Failure to comply with the above, the council may, accordingly, without any further notice, apply for a demolishing order from the court and such buildings will be demolished. The owner will have to reimburse the municipality of all costs endured during the demolishing process.

24.4 Alternatively, council repossesses the stand to recover all the costs involved (Demolishing costs, legal costs and money owed to the municipality)

25. Swimming Pool

The owner of any site which contains a swimming pool, fish pond or any other body of water with a depth exceeding 300mm shall ensure that access to such swimming pool is controlled as stipulated in Part D4.4 of the NBR.

26. Restriction on erection of buildings:

26.1. Building activities that require approval from the municipality

- a. No structures must without express permission of the Municipality be erected as contemplated in section 4(1) of NBR or this Bylaw.
- b. The municipality should be consulted before the deviation to approved plan occurs during the construction in order to determine whether it would be considered for approval when amendment plan is submitted.

26.1.1 Building activity that requires approval of the Municipality includes the following:

- a. construction of new buildings whether residential, commercial and industrial; or
- b. other structures such as tool sheds or wendy house exceeding 10m², builder's sheds, temporary structures, containers, towers, solid fuel stores of any area, prefabricated buildings, open-sided carports or boatshed or caravan shelter of any area, poultry sheds or aviaries of any area, all boundary walls or fences excluding diamond mesh, driveways;
- c. awnings or canopies exceeding 900mm horizontal projection;
- d. private swimming pools, koi ponds or any other water feature exceeding depth of 0,3m;
- e. extension to existing building whether residential, commercial and industrial
- f. undertaking alteration to an existing building including structural alteration, alteration of internal walls, partitioning, changing the use of rooms within the building;
- g. demolition of building, engineering works or services, installing signage, communication mast and some fences

26.1.2. Requirements prior to construction

- a. Any proposed use or development on demarcation of the land within the City of Matlosana Local Municipality jurisdiction requires approval of the municipality in terms of submission of building plans. For the purpose of this requirement, the municipality reserves the authority to determine the position of building lines, municipal services such as water, sewer, electrical etc.
- b. Therefore, the municipality is responsible for the following in accordance to the Building Control Bylaw-
 - i. responsible for the processing and approving of building plans of residential, commercial, industrial
 - ii. inspect building construction from time to time and declare the building fit for the occupation upon its completion
 - iii. control illegal building construction, prepare reports, issue notices and initiate legal action
 - iv. issue temporary permits for temporary structures, placement of building materials
- c. Applications will not be accepted or assessed until all relevant plans, elevations and supporting documents are submitted and the appropriate application fee has been paid.
- d. The municipality has a right to cancel the approved building plan, should the authorized person notice some discrepancies.

26.2 Building inspection requirements

26.2.1 Early construction commencement can be granted by the Municipality, provided that the building plans are submitted for approval, and such plans meet the requirements.

26.2.2 The owner of any site intending to clear the site or commence the earthworks before the approval of his/ her building plan application may request in writing to the municipality for permission, stating the Erf of the particular site, street address and the date he or she intends to commence with the construction work.

26.2.3 Where approval of building plan has been granted by the Municipality, it is the responsibility of the owner to notify Municipality in writing when commencing the construction of buildings or structures

26.2.4 Compulsory inspection of buildings or structures is conducted as follows:

- a. excavation or trench inspection before casting concrete
- b. open inspection of sewer installation in accordance with approved building plan
- c. open roof inspection
- d. completion of the building work in accordance with the approved building plan

26.2.5 When the building work has been carried out and completed to the satisfaction of the municipality, the owner must apply for a Certificate of Occupancy.

26.2.6 Any owner or person who contravenes the requirements of this Bylaw shall be guilty of an offence.

26.3 Certificate of Occupancy

Before any building may be occupied a Certificate of Occupancy is required to be obtained from the Municipality. The certificate of occupancy may be issued by the Municipality when-

- a. Building work is completed and built according to the approved building plans. It is only issued by the Building Inspector certifying that all required inspections were conducted and the building is in order and can be occupied.
- b. building rubble material has been removed from site and disposed to a legal dumping site and the owner will be required to provide the Building Control Officer with proof of a weighbridge certificate indicating that the full mass of the building rubble has been disposed to a licenced waste disposal facility;
- c. excess building material is removed from the road reserve and stored within the property;

Required Documents

- a. COC – Electrical Certificate
- b. Fire Clearance Certificate
- c. Plumbing Certificate
- d. Engineer's letter certifying that the building work is in order
- e. Proof of payment, as per the financial year fees.

26.4 Demolitions

26.4.1 No owner or person is permitted to demolish any structure, whether it is the whole building or alteration of existing structure without prior written permission by the municipality.

26.4.2 The application to demolish should be submitted to the Municipality subject to 14 days' notice of such intention thereof.

26.4.3 The owner or person must ensure that before any demolition work is carried out, and in order to ascertain the method of demolition to be used, a detailed structural engineering survey of the structure to be demolished is carried out by a competent person and that a method statement on the procedure to be followed in demolishing the structure is developed by that person.

26.4.4 During demolition, the competent person appointed by the owner of the building must check the structural integrity of the structure at intervals determined in the method statement contemplated in sub-regulation 26.4.3, in order to avoid any structural collapses.

26.4.5 Permission to demolish or alter the building(s) shall be granted in terms of the provision of section 12 of the National Building Regulations and Building Standards Act, 1977 (103 of 1977), together with the Klerksdorp Land Use Management Scheme, 2005, the City of Matlosana Spatial Planning and Land Use Management By-laws, 2016, subject to the following conditions:

- I. All building material and rubble shall be removed from the premises to an approved dumping site within fourteen (14) days after completion of the demolition process, and proof payment slip from the dumping site be submitted.
- II. The proposed demolition shall be executed at your own risk and the City Council shall not be liable for any damages or losses which may arise as a result of the demolition.
- III. Building plans in respect of the proposed new building, complying with the provisions of the National Building Regulations and Building Standards Act, 1977 shall be submitted to the Director: Planning and Human Settlements for approval.
- IV. The existing water connection shall be closed off beforehand and the applicant must contact the Assistant Director: Water Section, Department Technical and Infrastructure for the necessary arrangements in this regard.
- V. The existing sewer on shall be disconnected from the sewer connection points and be sealed off properly and the office of the Sewerage Section, must be contacted in this regard.

- VI. The existing electrical connection shall be disconnected and the office of the Manager: Electrical Engineering must be contacted in this regard.

- 26.4.6 Where the demolition work involves the use of explosives, a method statement must be developed in accordance with the applicable explosives legislation, by an appointed person who is competent in the use of explosives for demolition work and all persons involved in the demolition works must adhere to demolition procedures issued by the appointed person.
- 26.4.7 Where there is presence of asbestos, the owner must ensure that all asbestos related work is conducted in accordance with the Asbestos Regulations, 2001, promulgated by Government Notice No. R. 155 of 10 February 2002.
- 26.4.8 Where there is presence of lead, the owner must ensure that all lead related work is conducted in accordance with the Lead Regulations, 2001, promulgated by Government Notice No. R.236 of 28 February 2002.
- 26.4.9 The owner of the site must make sure that all building waste and debris is removed and disposed of from site at a licenced waste disposal facility, providing the proof to the municipality of such facility.

26.5 Relay of storm-water from high-lying erven to lower-lying erven

- I. If, in the opinion of the municipality, it is impracticable for the storm-water to be drained from the high-lying Erf direct to a public street, the owner of the lower-lying Erf is obliged to accept and permit the passage of such storm-water over the lower-lying Erf, as contemplated in the City of Matlosana Land Use Management Scheme, 2023.
- 26.5.1. Storm-water drainage of premises
- I. The owner of any site on which a building has been or is erected shall take all steps necessary to ensure that the storm-water from every building or open space on the premises is controlled evenly and disposed without affecting the adjoining property's walls or buildings or affecting municipal services of manholes or inspection chambers near the boundary of the site, street or servitude in which these surface channels or storm-water drains are located.
- II. Submission of building plan is required prior to the storm-water to be conveyed either directly or along a servitude or natural stream or to install a soak-pit on site.
- III. Manhole or inspection chambers shall be situated within 1, 5 m from the boundary of the site or street or servitude as the case may be.
- IV. Buildings and open areas which are paved with brick and cement, concrete asphalt or other impervious material to dispose of storm-water thereon by applying for a storm-water connection point in by submitting building plans for exceeding 60 percent of the hardened area.
- V. The owner may employ systems of subsoil/ soak-away drains to drain away the storm-water, may do so provided it's more than 2m away from the buildings and or be designed by a registered competent person.

26.6. Sewer layout under covered and/or enclosed areas

- a. All sewer pipes that do not have a change in direction, positioned under floor slab or under walls must be protected with a minimum 150mm thick concrete encasement.
- b. Where there is a change in direction under the concrete of roofed open spaces, the rodding eye must be clearly visible.

27. Exposure of boundary pegs

- a. Boundary pegs must be exposed prior to the commencement of any construction work on site at the time of building plan submission. If pegs have been removed or cannot be

found a professional registered land surveyor must be appointed by the owner to expose and position new pegs.

- b. Expose the metal peg and use wood or plastic indicators to flag the position of the peg.

28. Enforcement of the National Building regulations

Routine inspections shall be conducted in order to ensure compliance; These include:

- a. Illegal Building Works
- b. Dilapidated Buildings
- c. Completed building works
- d. Building rubble

29. Expiry period of an approved building plan

Building plan application is valid for 12 months after being approved by the municipality. The owner or the person of the property must make sure that he/ she commences the construction work within the period of 12 months. After which the owner may apply for an extension not exceeding 90 days at least 30 days before expiry.

30. Boundary walls

30.1 Height restrictions

30.1.1. Brick and Block walls:

- a) The maximum height for walls constructed with bricks and blocks is 2 metres;
- b) The wall finish should be aesthetically pleasing.

30.1.2. Precast fencing, Palisade and Clear-vu, etc:

- a) The maximum height for the construction of precast concrete walls, palisade and clear-vu fencing is 1.8metres.

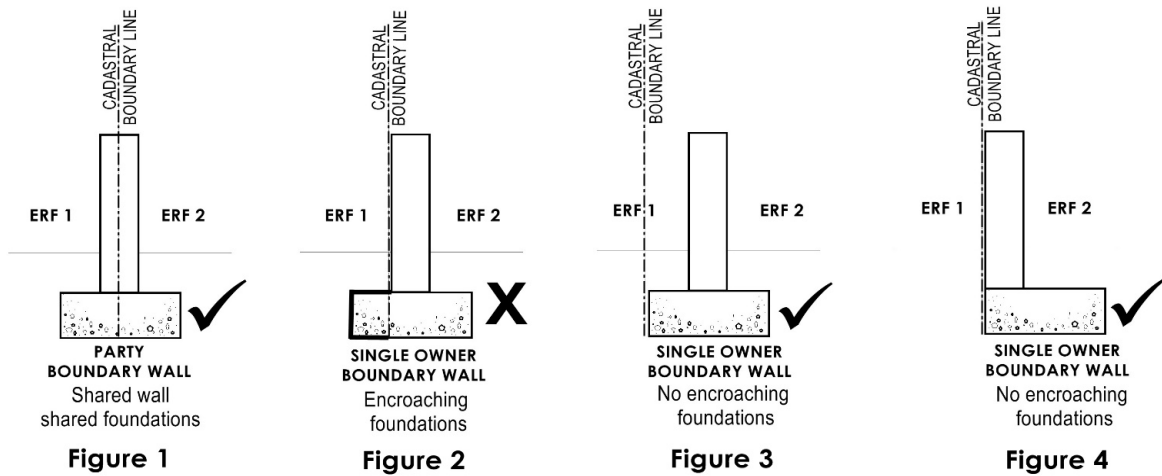
30.1.3. These height restrictions as stipulated in subsection 30.1.1 & 30.1.2 are applicable to front, sides and rear boundary wall. In the event where the applicant exceeds the maximum height prescribed by this Bylaw, the following will be required:

- a. a rational design by the competent person;
- b. signed consent letter(s) from adjacent properties affected.

30.2 Construction requirements on party boundary walls

- 1) Party boundary wall (as indicated in Figure 1 below) is a boundary wall standing on the land between two properties and forms a single boundary wall between them, with the centre of the wall and foundation being the dividing cadastral boundary;
- 2) The owner erecting the wall must:
 - a. notify the adjoining owner within 14 days before construction;
 - b. exercise reasonable care when carrying out works;
 - c. avoid causing unnecessary inconvenience or damage to an adjoining property during the construction;
 - d. commence the work within 12 months from the date of the approval and with due diligence.
 - e. carry out the works in accordance with the building plans, sections or particulars as per approved building plans.

TYPICAL SECTIONS THROUGH PARTY BOUNDARY WALLS AND SINGLE OWNER BOUNDARY WALLS



Maintenance

- a. Each property owner is responsible for maintaining his/ her side of the fence or party boundary wall regardless who built the fence or wall because it benefits both parties.
- b. Dispute:
 - i. Any party who causes the damage to the boundary wall, whether intentional or unintentional is liable for fixing the damage, however if the damage is caused by natural disaster both parties should share the cost as per whatever the agreement might be.

31. Electric Fences

Electric fences shall conform to the following specifications:

- 31.1. It must be at least 1, 8 m above the level of natural ground at any point and cannot be more than 450mm.
- 31.2. It may only be erected on top of walls and fences, or attached to them.
- 31.3. Barbwire or razor fence cannot be electrified by energy.
- 31.4. It may not encroach over site boundaries.
- 31.5. The fencing along public road and pathway must have clear warning signs at least 100mm X 200mm in size with a background colour of yellow and all writing in black. The size of the writing must be at least 25mm and the signs need to be identical on both sides. There must be a warning sign at each gate, at each access point and along the fence with a spacing of not more than 10 metres between signs.
- 31.6. All fencing should be accompanied by either an electric fence system certificate of compliance (EFC) or a certificate of compliance (COC) from a competent person.

32. Roofs

- a. Sheet metal which is used for roofs and is visible from the street or surrounding erven must be properly painted within 6 months after construction thereof if the Municipality so requires.
- b. No roof surface may have a luminous finish.

CHAPTER 6 FARM AREAS:

Procedures relating to the management and control of structures erected within FARM Areas

33. Building Plan Requirements

Procedures relating to the management and control of structures erected within Farm Areas. To ensure that the constitutional rights to a safe living environment, of all residents in the City of Matlosana Local Municipality municipal jurisdiction, is being upheld and that building plans and relevant inspections are submitted and completed for all structures.

33.1. Submission requirements

33.1.1. Submission Documents:

- a. Registered Owner's ID Copy
- b. Proof of stand ownership i.e. Rates and taxes accounts and title deed/ purchase contract/ site permit
- c. SACAP application form filled in by a SACAP registered architect or draftsman
- d. Municipal building plans application forms.
- e. An Engineer Certificate appointment application form, where necessary
- f. Proof of Building plans payment.
- g. Permission letter from the body corporate, where necessary.
- h. 2 Copies of plans, 1 black & White copy and 1 Colour copy, dated and signed by the owner.
- i. Engineer drawings dated and signed by both the engineer and the owner, where necessary.

33.1.2. Submission Fees:

- a) Minimum submission fees for free standing residential dwellings 45m² or less.
- b) All other submissions require submission fees as per the municipal tariff of fees.

33.1.3. Inspections:

- a) All inspections are to be carried out as per municipal requirements, namely: -
 - i. pre-plan inspection
 - ii. foundation inspection
 - iii. drainage Inspection
 - iv. open roof inspection
 - v. final Inspection
- b) Inspections are to be booked timeously (i.e. a minimum of 24 hours before it is required).

34. Structural Requirements

In accordance with SANS 10400 2010 Part A Section 3.3a and as outlined in the definitions, all "buildings" require building plans before construction.

35. Septic Tanks

35.1. Construction methods before installation of conservancy tanks/ septic tanks

- a) Excavations shall be deepened locally, where necessary, to remove soft spots;
- b) Hard spots, wherever practicable, shall be removed;
- c) Excessive excavations shall be avoided and be shored by timber/steel to prevent collapse of adjacent soils;
- d) Excavations shall be kept free of surface water
- e) Where the bottom of the excavation has dried out excessively due to exposure or it has softened due to rain or ground water, the excavation shall be re-bottomed(levelled) before concreting;

- f) Backfill soil(sand) shall be maintained before compaction, so that a small quantity squeezed in the hand is firm, but does not show signs of moisture;
- g) Fill(soil/sand/G5) shall be placed in un-compacted layers that do not exceed 100 mm in respect of hand compaction, and 150 mm in respect of compaction by mechanical means; and each un-compacted layer shall be well compacted at before additional fill (soil/sand/G5) material is added.

35.2. Guideline and specifications to construct and install septic tanks

- a) A masonry/concrete conservancy tank/septic tanks to be used on a site for the reception of sewage shall have a minimum concrete strength of 20mpa (Mix ratio 2 bags cement, 2 wheelbarrows sand, 2 wheelbarrows stone) and all internal sides be plastered to a smooth finish.
- b) The use of Crusher sand mix is prohibited in concrete construction for septic tanks
 - i. Prefabricated septic tanks shall have a stamp indicating SABS approved and testing by means of regulation 0400 which shall clearly visible.
- c) Masonry/concrete/prefabricated conservancy tanks/septic tanks shall be designed and constructed in such a way;
 - i. that it will be impervious (leak free) to liquid;
 - ii. that there will be a ready means of access for the clearing of such tank;
 - iii. be so designed and sited that it is not likely to become a source of nuisance or a danger to health; or
 - iv. the structural integrity of adjacent buildings;
- d) A conservancy tank or septic tank may not be installed less than 2, 0 m from the property boundary, or another structure. (Refer to 29.7 figure 1 below for guideline drawing)
- e) Generally, tanks should be located near driveways to facilitate cleaning by a vacuum tanker located at the front or closest access to property, to allow for easy cleaning and disposal by waste removal service providers and there should be a ready means of access for the clearing of such tank
- f) Be vented at the building of toilet, the vents should extend above the eaves level of the building.
- g) No industrial effluent shall be allowed to flow into a septic tank.
(Refer to 29.7 figures 2 & 3 below for guideline drawing)

35.3. Requirements to prevent leaks and contamination.

- a) Septic tanks should be tested for water tightness.
- b) It should be filled with water before use and tested over a period of 24 hours for water tightness.
- c) No chemical additives are needed to assist the digestion process in a septic tank and normal amounts of domestic bleach, caustic materials, soaps, detergents and drain cleaners do not impede the process.
- d) Only bio degradable cleaning liquids should be used in cleaning of toilets
- e) Materials such as sanitary towels, facial tissue, coffee grounds, cooking oil and cigarette butts should not be flushed into the tank because they do not biodegrade and will clog the system.

35.4. French drains

French Drains which is to receive effluent shall:

- 1) Be so constructed and located as not to cause the pollution of any spring, stream, well or other source of water which is used or is likely to be used, for drinking, domestic use or kitchen purposes;
- 2) Be so positioned that the foundations of adjacent buildings are not adversely affected by its discharge;
- 3) Be not less than 3 m from any building or boundary of the site on which it is situated;
- 4) French drains should, where possible, be located downhill of a water source such as a borehole or spring. Where location downhill of such water source is not possible, French drains should be located at least 50 m from the water source/river and streams;
- 5) Pipes discharging into French drains shall be open-jointed or perforated.

- 6) The impermeable covering is required to prevent ingress of rain or surface water.
 - 7) An inspection pipe shall be installed in all French drains
 - 8) French drains shall not be deeper than 1,8 m. Surfaces shall be protected by means of 30 mm to 100 mm thick layer of fine gravel or coarse sand.
 - 9) A topsoil layer of between 100 mm and 150 mm shall be placed on top of the drain over an impermeable covering. (Refer to 29.7 Figure 4)
- (Refer to 29.7, Figure 5 for cross section detail on French drains)

35.5. Prohibited Installation

No conservancy tank/septic tanks may be constructed where:

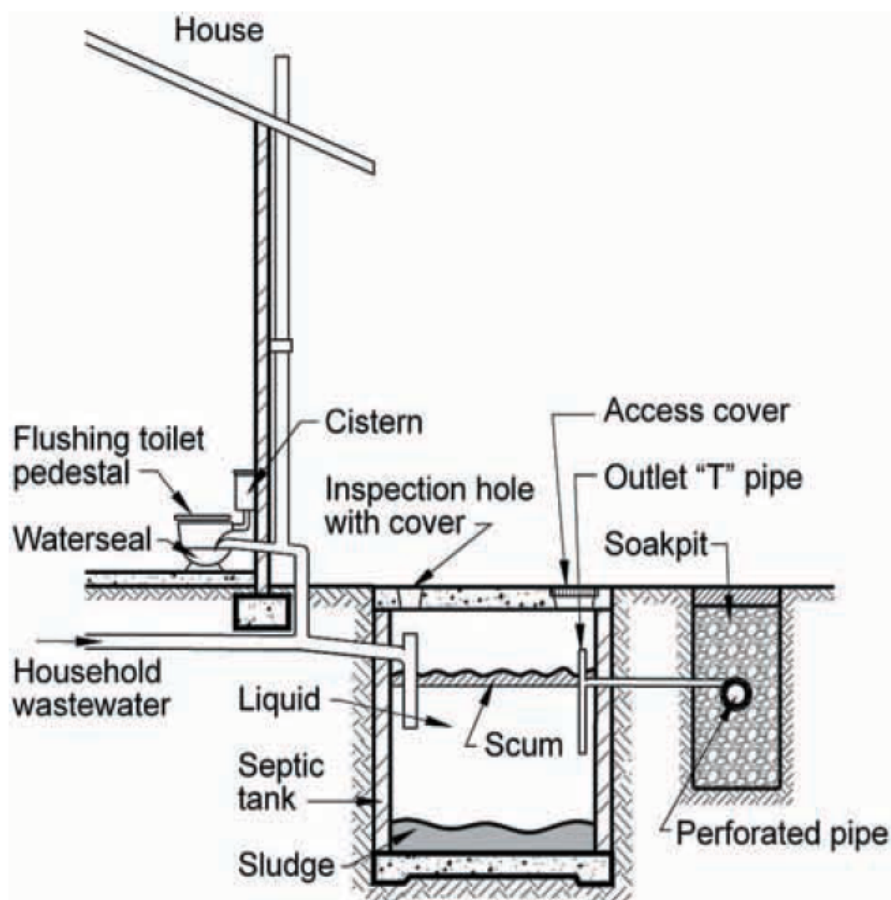
- i. the ground that has a percolation rate (absorption of water in soils) that exceeds 30 min;
- ii. effluent might flow out due to the contours or the strata forming of the ground;
- iii. the site to be affected by such effluent is of insufficient size to accommodate the soaking away of the effluent; and have a minimum depth of 1.5 meters; or
- iv. the level of the water table is, or might be, such as to prevent adequate percolation;
- v. It is closer than 3m of Municipal water service line for clean water drinking purposes;
- vi. It is closer than 3m of Municipal Storm water network drains and pipes.

35.6. Drawing guide of conservancy/septic tanks

Figure 1: Concrete Septic tank with soak-pit.

2m distance from house to Conservancy tank Soak-away 1.5m away from conservancy tank

Refer to section 29.3 (4) & section 29.6 (v) & (vi) for permissible positioning & minimum depth of 1.5 meters



The function of the septic tank is to condition raw sewage, which has a clogging effect on soil, thereby reducing the effective absorption capacity of the subsoil. When the raw sewage enters the tank some of the suspended solids settle to the bottom of the tank and some collect at the surface, with the result that three distinct layers are formed in the tank: a layer of sludge at the bottom, a floating layer of scum on the top and a relatively clear liquid layer in between. The organic solids and dissolved material in the sewage are attacked by bacteria so that the volume of scum and sludge is reduced by liquefaction and gasification. The only function of the final disposal system is to get rid of the effluent (raw sewage) from the septic tank in a safe and inoffensive way.

Figure 2: VIP Toilets (Ventilated vault toilet)
Refer to section 29.3(4) and 29.6(vi) for permissible positioning

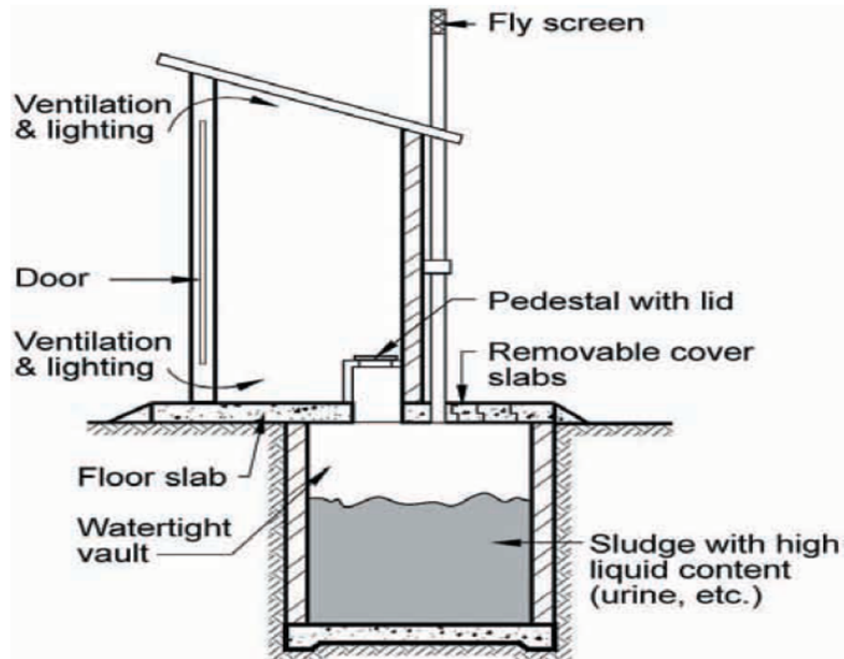


Figure 3: Aqua-privy Toilet
Refer to section 29.3(d) & 29.6(vi) for permissible positioning

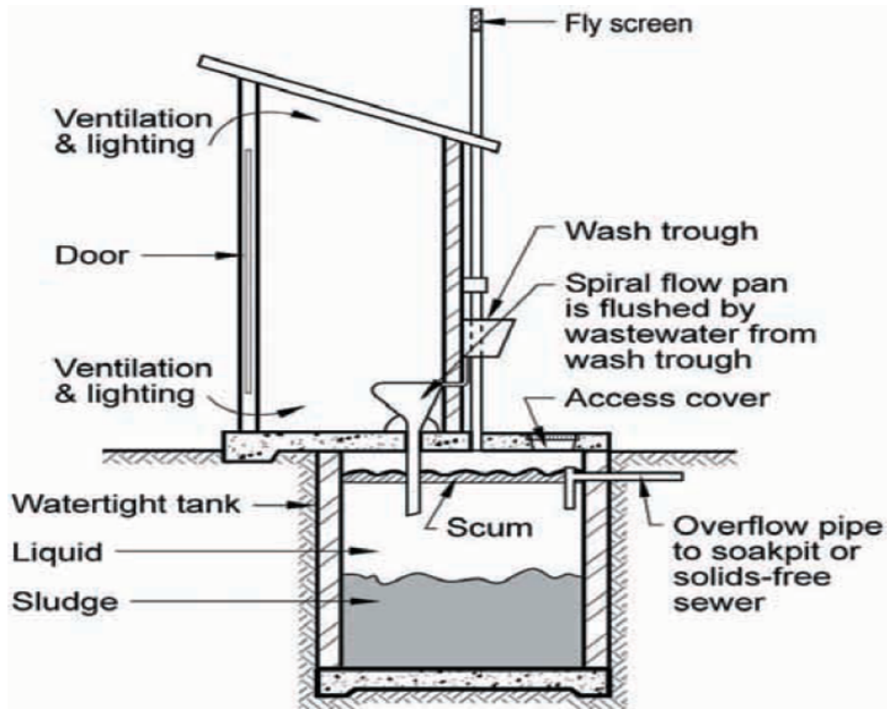


Figure 4
Inspection eye for Septic Tanks and Conservancy tanks

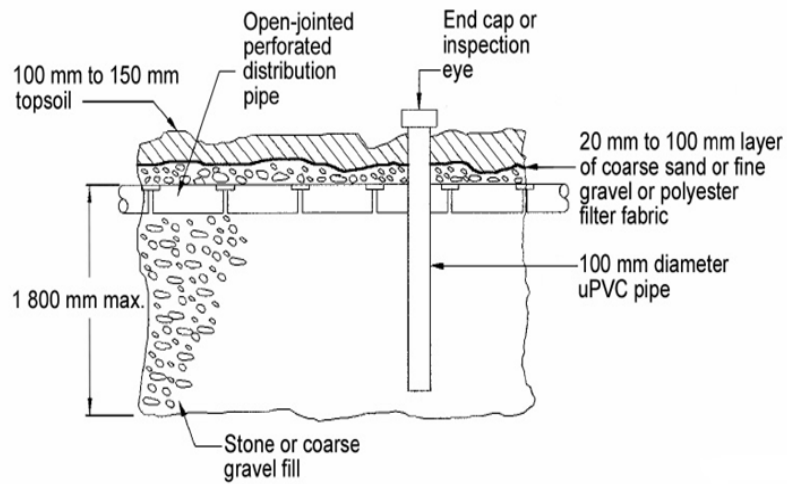
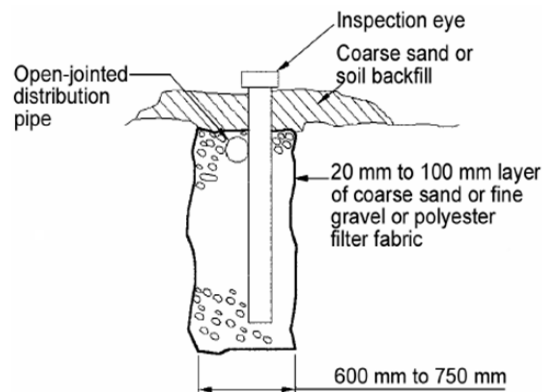


Figure 5
French Drain refer to section 29.5



b) Cross section

Detail of french drain construction**36. Public safety****36.1. Construction site**

Construction site must be fenced during the erection of any structure; the fence shall be installed in such a way to prevent any person or child from falling in excavated trenches, open holes and get injured by the building material and tools lying on site.

36.2. Change in height

The protection of the edge of any balcony, bridge, stairway, flat roofs shall be designed to prevent any person from such balcony, stairway, bridge, and flat roof.

CHAPTER 7 ENFORCEMENT

37. Appointment Building Inspectors as Municipal Building Control Enforcement Officers

37.1. Building Inspectors as employees of the City of Matlosana Local Municipality must have a certificate of competency for law enforcement, and appointed by the Provincial Commissioner of the South African Police service as a peace officer under Section 334(2)(a) and Act No. 68 of 1995, and endorsed by the 'Accounting Officer' the Municipal Manager.

38. Powers and Functions of a Municipal Building Control Enforcement Officer

38.1. The powers conferred upon a Peace Officer in terms of Section 41(1) of the Criminal Procedure Act 1977, in terms of 'Section 334' to exercise the relevant powers namely:

- a) The issue of written notices in terms of Section 341 'Spot Fines' i.t.o CPA
- b) The issue of written notices in terms of Section 56 'Notice of intention to Prosecute' i.t.o CPA
- c) The execution of Warrant of Arrest in terms of Section 44 and 55(2) 'Warrant' i.t.o CPA
- d) To enforce the National Building Regulations Act 103 of 1977, SANS 10400
- e) To enforce the City of Matlosana Local Municipality Building Control Bylaw

39. Offences and penalties

39.1. Any person who contravenes any provision or fails to comply with any notice issued in terms of this Bylaw, commits an offence and may at the sole discretion of the municipality or the enforcement official be fined on the spot to the extent as stipulated in Annexure 'A' refers to contravention of the NBR Offences and penalties and Annexure 'B' Refers to contravention of the Building Control Bylaw Offences and penalties.

39.2. Any person who contravenes any provision or fails to comply with any notice issued in terms of these Bylaws, commits an offence and shall be liable for criminal prosecution, in addition to the spot fines as contemplated in subsection 39.1, and may upon conviction be liable for a fine or imprisonment for a period not exceeding three years or both such fine and imprisonment.

40. Additional penalties

If the contravener fails to Comply with Part 2 and continues activities, Building Control Enforcement Officer may-

- a) make recommendation to the Municipal Accounts services to disconnect/reduce engineering services;
- b) Impose spot fines to the Municipal Rates Account billing.

41. Contravention penalty charge to prevent the continuation of an activity that constitutes an offence

41.1. The Building Control Enforcement Officer may;

- a) approach the courts to acquire an interdict to cease such activities/contraventions;
- b) approach the courts to issue a Warrant of Arrest;
- c) recommend that the Municipal Accounts services disconnect engineering services;
- d) recommend that the Municipal Accounts services to be reconnected at contraveners cost.

42. Entry by building control enforcement officer

42.1. Any building control enforcement officer may enter any building at any reasonable time with a view to-

- a. inspect, monitor, investigate or determine whether the building complies with any provision of this Bylaw;
- b. take photos of the building, whether of the outside of the building or any internal aspect of the building, including any residence;
- c. serve the owner/ legal representative of the building with a contravention notice contemplated in this Bylaw or any other legislation;

42.2. No person shall hinder or obstruct any building control enforcement officer in the exercise of his or her powers in terms of the Bylaw.

42.3. Any building control officer shall, when entering the premises, produce a valid identification document issued to him or her by the municipality to the owner of such building.

42.4. In the view that requires an immediate action, the BCO may enter any property or building at any given time.

43. Observance of confidentiality pertaining to entry for enforcement purposes

43.1. Notice, order or document required or authorised to be served upon or given to any person under these By-laws may be served or given by delivering the same or a true copy thereof to some person on the premises belonging to or occupied by the person upon whom such service is to be made, or, if there is no person to be found upon such premises who can be so served, by affixing such notice, order or document in a conspicuous part of the premises.

43.2. A person commits an offence if he or she- 18 years or older-

- a) obstructs, hinders, or in any manner interferes with the enforcement official who is acting or entitled to act in terms of this By-law
- b) fails to obey any lawful instruction or direction given to him or her in terms of this Bylaw
- c) a person is guilty of a continuing offence if he or she continues with an offence after notice has been served on him or her in terms of this By-law requiring him or her to cease committing such offence.

44. Relationship between remedies provided in this By-law and other statutory and common law remedies

44.1. Land activities which constitute unlawfulness, the building control enforcement officer may;

- (a) Install and display a safety notice on the site for public protection.
- (b) Instruct/Issue Notice to contravener to barricade property.
- (c) To rectify/cease unlawful land activities.

CHAPTER 8 APPEALS

45. Appeals

45.1. The Appeal Authority Registrar

- a) The Municipality shall designate an official as the Appeal Authority Registrar and Deputy Registrar respectively.
- b) In the event that the Municipality has not designated the registrar, the Municipal Manager shall perform the functions of the registrar.

45.1.1. Powers of the Appeal Authority Registrar

- a) the Appeal Authority Registrar Shall provide administrative support relating to appeals as set out in this By-law, and provide administrative support to the Appeal Authority;
- b) may direct that an appeal be evaluated by an official of the Municipality or independent person who has relevant skills, knowledge, expertise or qualifications, to evaluate the appeal, and to determine the terms of reference for such official or person;
- c) may rule that an appeal is invalid if it is not lodged within the time period of 21 days.

45.2. The Appeal Authority

- a) The Executive Authority of the Municipality shall be an appeal authority to decide all appeals lodged in terms of this By-law.
- b) The Chairperson of the Executive Authority of the Municipality shall be the Presiding Officer relating to appeal proceedings, provided that he/she may delegate such authority to a member of the Executive Authority.

45.2.1. Powers of the appeal authority

The appeal authority may:

- a. dismiss an appeal and confirm the decision appealed against;
- b. uphold part of the appeal and-
 - i. vary the decision appealed against;
 - ii. set aside the decision and make a new decision.
- c. Consider application by any person who has interest in the appeal to intervene as a party;
- d. Condone any failure by any party to an appeal to comply with its directions or time-limits provided in this By-law;
- e. Consider application to confirm invalidity of an appeal;
- f. Subpoena any person to come before it to testify or produce any document;
- g. Conduct any necessary site inspections or investigations;
- h. Decide any question concerning its own jurisdiction;
- i. Give directions relevant to its functions to any person in the service of the provincial administration, a provincial public entity, provincial government business entity or a Municipality relevant to matters referred to in this By-law;
- j. Postpone an appeal for a reasonable period to obtain further information or advice.

45.3. The Appeal Procedure

- a. Any person whose rights are affected by a decision taken by the municipality in terms of this By-law or any other legislation may appeal against that decision in terms of the Appeals provision contemplated in the Local Government: Municipal Systems Act (Act No. 32 of 2000) by giving a written notice of the appeal and reasons to the Municipal Manager within 21 days of the date of the notification of the decision.
- b. The appellant must serve the written appeal on the Municipal Manager, the Appeal Authority Registrar and any party to an appeal.
- c. The Municipal Manager or Appeal Authority Registrar may rule that an appeal is invalid if it is not lodged within the time period contemplated in subsection 45.3(a).

- d. The Appeal Authority Registrar must acknowledge receipt of an appeal in writing within 7 days.
- e. An applicant or a person who has a right of appeal and a person who is entitled to lodge a written opposition to an appeal, may, within the 21 days allowed for the lodging of an appeal or written opposition to an appeal, apply to the Municipal Manager or Appeal Authority Registrar for an extension of the period within which to lodge a written appeal or written opposition to an appeal.
- f. An application for an extension of the period within which to lodge a written appeal or written opposition to an appeal must be in the form of an affidavit, showing good cause as to why the application should be granted.

45.4. Lodging of an appeal

- a. A person who was served with the written appeal may, within 21 days from the date of service of the memorandum of appeal, submit a responding memorandum to the Appeal Authority Registrar.
- b. A person who was served with the appeal may in writing notify the Appeal Authority Registrar that he or she does not oppose the appeal.

45.5. Evaluation and referral of an appeal

- a. The Appeals Authority Registrar may appoint an official or independent person who has relevant skills, knowledge, expertise or qualifications to evaluate the merits of the appeal in writing.
- b. The independent person's evaluation report must include –
 - i. the details of the application for municipal building control approval and a summary of the procedure followed;
 - ii. the memorandum of appeal submitted;
 - iii. the responding memorandum in opposition to the appeal submitted, if any;
 - iv. the applicant's response to the responding memorandum, if any; and
 - v. confirmation that appeal complies with NBR, this By-law and any relevant procedure, or details of the defect, if it does not.
- c. The Appeal Authority Registrar must refer the independent person's evaluation report and the accompanying documents to the Appeal Authority.

45.6. Site Inspection

- a) The Appeal Authority may enter upon land or a building relevant to an appeal before it, during normal business hours or at any other reasonable hour, to conduct an inspection of the site under consideration during an appeal.
- b) The Appeal Authority Registrar must notify all parties to the appeal hearing in writing, of the Appeal Authority's intention to carry out an inspection.
- c) Any person who enters upon property or enters a building to attend a site inspection by the Appeal Authority, who gains knowledge of another person's private or business affairs in the process, must treat that information as confidential and may not disclose it to any other person.

45.7. Appeal Hearing

- a) An appeal hearing may be disposed of by means of :
 - i. an oral hearing; or
 - ii. written proceedings
- b) The appeal proceeding shall be chaired by the Presiding Officer.
- c) The Appeal Authority shall consider:
 - i. the independent person's evaluation report and the accompanying documents;
 - ii. any oral representation; and
 - iii. any other relevant information.

45.8. Record of Decision by the Appeal Authority

- a) The Appeal Authority, must make a decision on the appeal within 30 days after the last date of the appeal consideration or hearing and provide the reasons thereof.
- b) The appeal decision must:
 - i. determine whether the appeal falls within the jurisdiction of the municipal Building Control Appeals Authority;
 - ii. confirm, vary or revoke the decision, but no such variation or revocation of a decision may detract from any rights which accrued as a result of the decision;
 - iii. furnish written reasons for its decision;
 - iv. give directions relevant to its functions to the Municipality.

45.9. Notification of outcome of appeal

The Appeal Authority Registrar must notify the parties of the decision of the Appeal Authority within 30 days after the date of making a decision.

45.10. Offences in connection with proceedings before Appeal Authority

- a) A person is guilty of an offence, if the person –
 - i. without valid reason, and after having been subpoenaed to appear at the proceedings to testify as a witness or to produce a document or other object, fails to produce the required document and/or attend the proceeding on the date, time and place specified in the subpoena;
 - ii. after having appeared in response to the subpoena, fails to remain in attendance at the venue of those proceedings, until excused by the chairperson of the appeal hearing concerned;
 - iii. as a witness, refuses to take the oath or to affirm his or her testimony;
 - iv. refuses to answer any question fully and to the best of his or her knowledge and belief;
 - v. without good reason fails to produce a document or object in response to a subpoena;
 - vi. wilfully hinders or obstructs the Appeal Authority in the exercise of its powers;
 - vii. disrupts or wilfully interrupts the proceedings;
 - viii. insult, disparages or belittles any member of the Appeal Authority;
 - ix. prejudices or improperly influences the proceedings; or
 - x. after entering a premises for the purposes of a site visit, subsequently discloses to any other person trade secrets or any privileged information obtained whilst entering upon land or entering a building, except if the disclosure –
 - (aa) was made for the purposes of deciding the appeal; or
 - (bb) was ordered by a competent court or is required under any law.
- b) A person is guilty of an offence –
 - i. when obstructing the Appeal Authority in exercising a power under this By-law by failing, without good reason, to answer, to the best of that person's ability, a lawful question by the Appeal Authority;
 - ii. when obstructing a person who is acting on behalf of the Appeal Authority; or
 - iii. when attempting to exercise a power under this By-law on behalf of the Appeal Authority, without the necessary authority.
- c) A person convicted of an offence in terms of this section is liable on conviction to a fine not exceeding R5 000.

**CHAPTER 9
GENERAL PROVISIONS****46. Legal indemnification**

46.1. If a claim is made or legal proceedings are instituted against a member of the Building Control or their support staff arising out of any act or omission by the member or support staff in the performance

of his or her duties or the exercise of his or her powers in terms of this By-law, the Municipality must, if it is of the opinion that the person acted or omitted to act in good faith and without negligence—

- a) if a civil claim or civil proceedings is instituted against the person –
 - i. indemnify the person in respect of such claim or proceedings; and
 - ii. provide legal representation for the person at the cost of the Municipality or pay taxed party and party costs of legal representation.
- b) if a criminal prosecution is instituted against the person, provide for legal representation for the person at the cost of the Municipality.

46.2. A member of Building Control or their support staff has no legal indemnification if he or she, with regard to the act or omission, is liable in law and—

- (a) intentionally exceeded his or her powers;
- (b) made use of alcohol or drugs;
- (c) did not act in the course and scope of his or her employment, designation or appointment;
- (d) made an admission that was detrimental to the Municipality; or
- (e) failed to comply with or ignored standing instructions, of which he or she was aware of or could reasonably have been aware of, which led to the loss, damage or reason for the claim.

46.3. The Municipality may determine by means of a policy or by other means—

- i. the terms and conditions of such indemnity and legal representation; and
- ii. circumstances in addition to the circumstances contemplated in this section in which indemnity or legal representation may be withdrawn by the Municipality.

47. Calculation of number of days

41.1. If this By-law prescribes a period for performing an action, the number of days must be calculated by excluding the first day, excluding any public holidays, and by excluding weekends and the last day, unless the last day happens to fall on a Saturday, Sunday or public holiday, in which case the first work day immediately following the Saturday, Sunday or public holiday must be regarded as the last day of the period.

41.2. Days that the Municipal Council is officially in recess must be excluded from the period in which the Municipality must perform an action in terms of this By-law.

FINE SCHEDULE
OFFENCES AND PENALTIES IN RELATION TO NATIONAL BUILDING REGULATIONS ACT 103 OF 1977 AND
SANS 10400 REGULATIONS MADE THEREUNDER UNDER SECTION 34.1 BUILDING CONTROL BYLAW

	REGULATION	FINE
Building without approved plans 0 – 100m ² (including regulation A25(10))	4(1) & (4)	R4000
Building without approved plans 100m ² – 250m ² (including regulation A25(10))	4(1) & (4)	R6000
Building without approved plan 250m ² and above (including regulation A25 (10))	4(1) & (4)	R7000
Continuing in contravention of a notice prohibiting the erection of a building	10(1) & (2)	R3000
Failure to demolish, alter, secure a building or land F3(2)	12(1) to(6)	R5000
Failure to submit engineer's completion certificate A2(1)(f)	14(4)(a)	R1000
Occupation or use of a building without certification of occupancy	14(4)(a)	R5000
Prohibition on the use of certain methods or materials	19(1) & (2)	R2000
Boundary beacons not pointed out	A11(1) & (2)	R1000
Control of plumbing work	A18(1) to (5)	R2500
Failure to notify for commencing demolition	A22(1) to (4)	R1500
Deviating from approved plan (foundations walls, freestanding and, retaining.	A25(5)	R2000
Failure to safeguard any persons from falling from such balcony bridge, flat roof or similar place	D1	R5000
Failure to safeguard a swimming pool.	D4	R2000
Failure to comply with provisions concerning demolitions condition	E1(3) & (4)	R1500
Protection of the public site operations	F1(1) to (6)	R5000
Control of dust and noise	F6	R2000
Accumulation of waste material on site	F8(1) & (2)	R5000
Failure to construct and locate the builders shed to the satisfaction of the local authority	F10(2) & (7)	R1500
Failure to remove builders shed from a site on completion or cessation of work or where the shed is no longer necessary for the purpose for which is was erected	F10(5) & (7)	R2500
Failure to provide adequate approved sanitary facilities for staff in an approved location before erection or demolition of the premises	F11(1) & (2)	R2000
Building onto Municipal Servitudes and Service	G1(3) & (5)	R5000
Laying of a sewer installation not within the premises	P1 (1) to (5)	R1500
Prohibition on discharge storm water to enter any drainage installation on any site	P3 (2)(3)& (5)	R5000

Prohibition on discharge of any water from a swimming pool, fountains or reservoirs onto any public space or neighbouring property	P3 (4) & (5)	R5000
Unauthorised drainage work	P6 (1) & (2)	R2000
Putting a sewer installation into use without an inspection	P7 (1) to (4)	R1500
Failure to provide storm water disposal requirements.	R1 & R2 & A25(9)& (11)	R2500

FINE SCHEDULE
OFFENCES AND PENALTIES IN RELATION TO CITY OF MATLOSANA LOCAL MUNICIPALITY BUILDING
CONTROL BYLAW:

	SECTION	FINE
Problem Buildings / Dilapidated Buildings	23	R5000
Encroachments of boundary wall into Municipal property/ adjacent property	22	R5000
Dumping of building rubble	22	R4000
Illegal temporary structures	20	R2000
Inciting/preventing building Control law enforcement officer from entering premises or doing their job	38	R2500

BUILDING CONTROL PUBLIC COMPLAINTS FORM

A		DETAILS OF COMPLAINANT					
NAME & SURNAME							
STREET ADDRESS							
CONTACT TELEPHONE NO							
E-MAIL ADDRESS							
B		PARTICULARS OF COMPLAINT					
DATE OF COMPLAINT				TIME			
NATURE OF LODGMENT	TELEPHONIC		EMAIL		IN PERSON		
NAME OF OFFICIAL WHO RECEIVED COMPLAINT							
NATURE OF COMPLAINT (eg illegal construction/noise etc)							
BRIEF DESCRIPTION OF COMPLAINT							
DATES AND TIMES OF WHEN TRANSGRESSION OCCURED							
ADDRESS WHERE TRANSGRESSION OCCURRED							

INVESTIGATION OF COMPLAINT

C	PARTICULARS OF TRANSGRESSOR			
NAME & SURNAME				
ERF NO				
STREET ADDRESS				
CONTACT TELEPHONE NO				
E-MAIL				
D	INVESTIGATION INFORMATION			
DATE COMPLAINT RECEIVED				
DATE OF SITE INSPECTION				
NATURE OF CONTRAVENTION	DEV CONTROL		BUILDING CONTROL	OTHER
FINDINGS:				
BUILDING INSPECTOR		Signature		
TOWN PLANNER		Signature		
C	RECOMMENDATION			
ACTION TAKEN:				
WRITTEN WARNING DMS REF NO.				
FINE ISSUED. FINE NO				
OTHER				
Was the complainant satisfied with outcome			YES	NO
Was the complainant satisfied with the handling of the complaint			YES	NO
..... Signature LAND USE MANAGER Date	 Signature BUILDING CONTROL OFFICER Date		

MINOR BUILDING WORK APPLICATION

i.t.o Regulation A1(5) of NATIONAL BUILDING REGULATIONS ACT No. 103 OF 1977

PROPERTY DETAILS	Erf No.	Suburb
	Street Address	
	Age of existing building (in years)	
	<p>NOTE: The OWNER is responsible for ensuring compliance with the National Heritage Resources Act, 1999, National Environmental Management Act, 1998, Local Government: Municipal Systems Act, 2000, etc. is complied with prior to submitting an application to the Local Authority for consideration. In respect of the National Heritage Resources Act, 1999, ANY & ALL development, but not limited to new structures, the demolition of and / or alterations or additions to structures, on sites that contain existing buildings older than 60 years, require permits to be obtained from Provincial Department prior to submission of an application to the Local Authority for consideration. Failure to comply may result in unnecessary delays.</p>	
PROPOSAL Description of work	Description of Minor Building Work to be carried out	
MBW FLOOR AREA m ²	<p>FLOOR AREA means the total covered plan area of all floors contained within the outer extremities of a building. The floor area for Submission Fee calculation is determined as follows: The floor area is taken as the total plan area of every floor measured from the external face of the external walls (and the face of retaining wall in contact with the ground) ie: overall dimensions of building are used for calculation of floor area, NOT internal room dimensions.</p>	
PROPERTY OWNER'S DETAILS Non-compliance with the Submission Checklist will result in the Application being refused creating un-necessary delays for the Owner / Applicant.	Owners Name	
	Physical Address	
	Postal Address	
	Cell Number	Email
<p>DECLARATION BY OWNER I/We declare that I/we have personally checked the Title Deeds or any other document for the property concerned and that the proposed work is not contrary to any restrictive conditions or servitudes applicable thereto. I/We further declare that the boundary beacon pegs conform with positions as per the applicable Approved SG Diagram. I/We further declare that the application does not conflict with any other applicable laws, eg.: National Heritage Resources Act, 1999, National Environmental Management Act, 1998, Local Government: Municipal Systems Act, 2000, etc., and that ALL information as provided is true and correct. In the event of any contraventions, I/we will bear the sole responsibility to rectify the aforesaid contraventions.</p> <p>Owner's Signature: _____ Date: _____</p> <p>NOTE: The Owner / Applicant is responsible for tracking the status of the application once submitted to the Council. The Local Authority cannot guarantee that posted notifications will be received as this is the domain of the SA Post Office.</p>		
FOR OFFICIAL USE: This application is accompanied by the following documentation:		
Proof of ownership		
<p>A minimum size A4 Site Layout and Sketch of Proposal. Site Layout is to indicate position and overall dimensions of existing buildings and proposed MBW and dimensions of the MBW proposal from buildings and boundaries. Sketch to consist of a minimum of a plan, two elevations and section to indicate, size and height of proposal, method of construction and material from which constructed. This sketch does not have to be compiled by a competent registered professional.</p>		
Proof of payment		
The above application has been approved in accordance with the City of Matlosana Local Municipality's Building Control Bylaw, section*		
APPROVED DATE		BUILDING CONTROL OFFICER (Signature)

APPLICATION FOR ERECTION OF A TEMPORARY STRUCTURE
i.t.o Section A23 of the National Building Regulations Act 103 of 1977

PROPERTY DETAILS	Erf No.	Suburb
	Street Address	
	Existing use of site	Current Zoning
PROPERTY OWNER'S DETAILS Non-compliance with the Submission Checklist will result in the Application being refused creating un-necessary delays for the Owner / Applicant.	Owners Name	
	Physical Address	
	Postal Address	
	Cell Number	Email
PROPOSAL Description of work	Proposed Temporary structure	
	Intended use of the structure	
	Area (size) of structure	
<p>DECLARATION BY OWNER</p> <p>I/We, the undersigned, declare that I/we have personally checked the Title Deeds or any other document for the property concerned and that the proposed work is not contrary to any restrictive conditions or servitudes applicable thereto. I/We further declare that the boundary beacon pegs conform to positions as per the applicable Approved SG Diagram. ALL information as provided is true and correct at time of submission. In the event of any contraventions, I/we will bear the sole responsibility to rectify the aforesaid contraventions.</p> <p>I/We, the undersigned, undertake to demolish or remove the temporary structure within 14 days of the expiry of the approval granted.</p> <p>Owner's Signature: _____ Date: _____</p> <p>NOTE: The Owner / Applicant is responsible for tracking the status of the application once submitted to the Council. The Local Authority cannot guarantee that posted notifications will be received as this is the domain of the SA Post Office.</p>		

FOR OFFICIAL USE: This application is accompanied by the following documentation:	
Proof of ownership	
Plans depicting the Floor layout, Site plan, elevations and section	
Proof of payment	
The above application has been approved, and is valid for a period of 6 MONTHS in accordance with the City of Matlosana Local Municipality's Building Control Bylaw, section*	
APPROVED DATE	BUILDING CONTROL OFFICER (Signature)

APPLICATION PERMISSION TO DEMOLISH IN TERMS OF PART E OF THE NBR AND BUILDING STANDARDS ACT, 103 OF 1977, AS AMENDED & SECTION 21.4 OF BUILDING CONTROL BYLAW

A.	LOCATION	<input type="checkbox"/> Private Property	<input type="checkbox"/> Public Property (Council land)		
Erf Number <small>(as per SG Diagram)</small>		Township			
3. Street Address:					
4. Suburb/Extension:			5. Erf Size:		
B.	DESCRIPTION				
1. Property Use <input type="checkbox"/> Main Building <input type="checkbox"/> Outbuilding <input type="checkbox"/> Verandah or lapa <input type="checkbox"/> Pool <input type="checkbox"/> Walls <input type="checkbox"/> Others Floor area to be demolished : _____ m ²					
2. Exterior Finish <input type="checkbox"/> Face Brick <input type="checkbox"/> Plaster <input type="checkbox"/> Other					
3. Roof Surface <input type="checkbox"/> Tiles <input type="checkbox"/> Thatch <input type="checkbox"/> Other					
4. Age of building <small>(Buildings over 60 years old require written permission from North West Provincial Heritage Resources Authority):</small>					
5. Reason for demolition:					
NOTE: To be arranged with the Department of the City Electrical Engineer					
6. Electricity Termination <input type="checkbox"/> Single Phase <input type="checkbox"/> Three Phase <input type="checkbox"/> Other					
7. Water Connection Termination Industrial Water connection (mm) ø _____ Domestic Water connection (mm) ø _____ Fire connection (mm) ø _____					
C.	PARTICULARS				
1. Owner :		Tel No :			
Email:		Cell No :			
2. Person / Company responsible for demolition :		Tel No :			
Email:		Cell No :			
3. Professional Engineer Appointed :		Tel No :			
Email:		Cell No :			
E.	PLANS				
A copy of a site plan clearly demarcating the structure to be demolished to be submitted with this application					

ACCEPTANCE OF OBLIGATIONS AND REGULATIONS	I, (in the capacity of) of (Erf Description), accept herewith full responsibility for all obligations imposed by Part E of the National building Regulations and building Standards Act , 103 of 1977, including the obligations set out below:	
	THESE OBLIGATIONS SHALL INCLUDE THE FOLLOWING	
	❶ Provision for the protection of the public during demolition; ❷ Provision of detailed structural engineering survey of the structure carried out by a competent person ❸ Removal of all excess building rubble from the site and all adjoining stands during and after completion of the demolition phase; ❹ Control of dust and noise	
	DATE	SIGNATURE
	OFFICIAL USE ONLY	
	Information forwarded to the Municipal Valuers : Sewer Implications: Electricity terminated Water connection terminated:	
	APPROVED DATE	FOR: BUILDING CONTROL OFFICER

LOCAL AUTHORITY NOTICE 410 OF 2023**CITY COUNCIL OF MATLOSANA****APPROVAL OF AMENDMENT OF LAND USE MANAGEMENT SCHEME**

The City Council of Matlosana hereby in terms of the provisions of Section 57(1) of the Town-Planning and Townships Ordinance, 1986, the Spatial Planning and Land Use Management Act 16 of 2013 (SPLUMA, 2013) and the City of Matlosana Spatial Planning and Land Use Management By-Law, 2016, declares the approval of an amendment scheme being an amendment of the Klerksdorp Land Use Management Scheme, 2005, by the rezoning of Erf 652, Flamwood, Extension 2 from "Residential 1" to "Special" for the purposes of professional dwelling house offices.

Map 3 and the scheme clauses of the amendment scheme are filed with the Municipal Manager, Klerksdorp and the Acting Manager, Department of Developmental, Local Government and Housing, Potchefstroom and are open for inspection at all reasonable times.

This amendment is known as Klerksdorp Land Use Management Scheme 1018 and shall come into operation from the date of publication of this notice.

Civic Centre
KLERKSDORP
Notice No: LUM11/2023
(13/1/8/19)

L SEAMETSO
MUNICIPAL MANAGER

3 March 2023

PLAASLIKE OWERHEID KENNISGEWING 410 VAN 2023**STADSRAAD VAN MATLOSANA****GOEDKEURING VAN WYSIGING VAN GRONDGEBRUIKBESTUURSKEMA**

Die Stadsraad van Matlosana verklaar hierby ingevolge die bepalings van Artikel 57(1) van die Ordonnansie op Dorpsbeplanning en Dorpe, 1986, die Ruimtelike en Grondgebruiksbestuurswet 16 van 2013 (SPLUMA, 2013), en die Stadsraad van Matlosana se Ruimtelike en Grondgebruiksbestuursverordening, 2016 verklaar die goedkeuring van 'n wysigingskema, synde 'n wysiging van die Klerksdorp Grondgebruikbestuurskema, 2005, deur die hersonering van Erf 652, Flamwood, Uitbreiding 2 van "Residensieel 1" na "Spesiaal" vir die doeleindes van professionele woonhuis-kantore.

Kaart 3 en die skemaklousules van die wysigingskema word in bewaring gehou deur die Munisipale Bestuurder, Klerksdorp en die Waarnemende Bestuurder, Departement Ontwikkelende Plaaslike Regering en Behuising, Potchefstroom en is beskikbaar vir inspeksie op alle redelike tye.

Hierdie wysiging staan bekend as Klerksdorp Grondgebruikbestuurskema 1018 en tree in werking van die datum van publikasie van hierdie kennisgewing.

Burgersentrum
KLERKSDORP
Kennisgewing nr: LUM11/2023
(13/1/8/19)

L SEAMETSO
MUNISIPALE BESTUURDER

3 Maart 2023

LOCAL AUTHORITY NOTICE 411 OF 2023**CITY COUNCIL OF MATLOSANA****APPROVAL OF AMENDMENT OF LAND USE MANAGEMENT SCHEME**

The City Council of Matlosana hereby in terms of the provisions of Section 57(1) of the Town Planning and Townships Ordinance 15 of 1986, the Spatial Planning and Land Use Management Act 16 of 2013 (SPLUMA, 2013) and the City of Matlosana Spatial Planning and Land Use Management By-Law, 2016, declares the approval of an amendment scheme being an amendment of the Klerksdorp Land Use Management Scheme, 2005, by the rezoning of Erf 843, Ellaton from "Residential 1" to "Residential 2" with a density of four (4) dwelling units and the simultaneous application for the removal, amendment or suspension of restrictive title conditions 1.(h) on page 3 and 1.(i) on page 4 of the Deed of Transfer T25698/2012.

Map 3 and the scheme clauses of the amendment scheme are filed with the Municipal Manager, Klerksdorp and are open for inspection at all reasonable times.

This amendment is known as Klerksdorp Land Use Management Scheme 1391 and shall come into operation from the date of publication of this notice.

Civic Centre
KLERKSDORP
Notice No: LUM09/2023
(13/1/8/392)

L SEAMETSO
MUNICIPAL MANAGER

21 February 2023

PLAASLIKE OWERHEID KENNISGEWING 411 VAN 2023**STADSRAAD VAN MATLOSANA****GOEDKEURING VAN WYSIGING VAN GRONDGEBRUIKBESTUURSKEMA**

Die Stadsraad van Matlosana verklaar hierby ingevolge die bepalings van Artikel 57(1) van die Ordonnansie op Dorpsbeplanning en Dorpe 15 van 1986, die Ruimtelike en Grondgebruiksbestuurswet 16 van 2013 (SPLUMA, 2013) en die Stadsraad van Matlosana se Ruimtelike en Grondgebruiksbestuursverordening, 2016, die goedkeuring van 'n wysiging van die Klerksdorp Grondgebruikbestuurskema, 2005, deur die hersonering van Erf 843, Ellaton van "Residensieel 1" na "Residensieel 2" met 'n digtheid van vier (4) wooneenhede en die gelyktydige aansoek vir die verwydering, verandering of opskorting van beperkende titelvoorwaardes 1.(h) op bladsy 3 en 1.(i) op bladsy 4 van Titelakte T25698/2012.

Kaart 3 en die skemaklousules van die wysigingskema word in bewaring gehou deur die Munisipale Bestuurder, Klerksdorp en is beskikbaar vir inspeksie op alle redelike tye.

Hierdie wysiging staan bekend as Klerksdorp Grondgebruikbestuurskema 1391 en tree in werking van die datum van publikasie van hierdie kennisgewing.

Burgersentrum
KLERKSDORP
Kennisgewing nr: LUM09/2023
(13/1/8/392)

L SEAMETSO
MUNISIPALE BESTUURDER

21 Februarie 2023

LOCAL AUTHORITY NOTICE 412 OF 2023**CITY COUNCIL OF MATLOSANA****APPROVAL OF AMENDMENT OF LAND USE MANAGEMENT SCHEME**

The City Council of Matlosana hereby in terms of the provisions of Section 57(1) of the Town-Planning and Townships Ordinance, 1986, the Spatial Planning and Land Use Management Act 16 of 2013 (SPLUMA, 2013) and the City of Matlosana Spatial Planning and Land Use Management By-Law, 2016, declares the approval of an amendment scheme being an amendment of the Klerksdorp Land Use Management Scheme, 2005, by the rezoning of Portion 1 of Erf 246, Uraniaville from "Business 2" and Portion 1 and Portion 2 of Erf 392, Uraniaville from "Industrial 2" to "Business 1" (Erf 191 and Erf 192, Uraniaville already zoned as Business 1).

Map 3 and the scheme clauses of the amendment scheme are filed with the Municipal Manager, Klerksdorp and are open for inspection at all reasonable times.

This amendment is known as Klerksdorp Land Use Management Scheme 1412 and shall come into operation from the date of publication of this notice.

Civic Centre
KLERKSDORP
Notice No: LUM08/2023
(13/1/8/413)

L SEAMETSO
MUNICIPAL MANAGER

17 February 2023

PLAASLIKE OWERHEID KENNISGEWING 412 VAN 2023**STADSRAAD VAN MATLOSANA****GOEDKEURING VAN WYSIGING VAN GRONDGEBRUIKBESTUURSKEMA**

Die Stadsraad van Matlosana verklaar hierby ingevolge die bepalings van Artikel 57(1) van die Ordonnansie op Dorpsbeplanning en Dorpe, 1986, die Ruimtelike en Grondgebruiksbestuurswet 16 van 2013 (SPLUMA, 2013), en die Stadsraad van Matlosana se Ruimtelike en Grondgebruiksbestuursverordening, 2016, die goedkeuring van 'n wysigingskema, synde 'n wysiging van die Klerksdorp Grondgebruikbestuurskema, 2005 deur die hersonering van Gedeelte 1 van Erf 246, Uraniaville van "Besigheid 2" en Gedeelte 1 en Gedeelte 2 van Erf 392, Uraniaville van "Industrieel 2" na "Besigheid 1" (Erf 191 and Erf 192, Uraniaville reeds as "Besigheid 1" gesoneer).

Kaart 3 en die skemaklousules van die wysigingskema word in bewaring gehou deur die Munisipale Bestuurder, Klerksdorp en is beskikbaar vir inspeksie op alle redelike tye.

Hierdie wysiging staan bekend as Klerksdorp Grondgebruikbestuurskema 1412 en tree in werking van die datum van publikasie van hierdie kennisgewing.

Burgersentrum
KLERKSDORP
Kennisgewing nr: LUM08/2023
(13/1/8/413)

L SEAMETSO
MUNISIPALE BESTUURDER

17 Februarie 2023

LOCAL AUTHORITY NOTICE 413 OF 2023**CITY COUNCIL OF MATLOSANA****APPROVAL OF AMENDMENT OF LAND USE MANAGEMENT SCHEME**

The City Council of Matlosana hereby in terms of the provisions of Section 57(1) of the Town-Planning and Townships Ordinance, 1986, the Spatial Planning and Land Use Management Act 16 of 2013 (SPLUMA, 2013) and the City of Matlosana Spatial Planning and Land Use Management By-Law, 2016, declares the approval of an amendment scheme being an amendment of the Klerksdorp Land Use Management Scheme, 2005, by the rezoning of the Remainder of Portion 15 (a Portion of Portion 1), the Remainder of Portion 19 (a Portion of Portion 15), a Portion of Portion 45 (a Portion of Portion 19) and a Portion of Portion 46 (a Portion of Portion 18) of the Goedgenoeg 433IP from "Agricultural" to "Special" for the purposes of solar photovoltaic plant.

Map 3 and the scheme clauses of the amendment scheme are filed with the Municipal Manager, Klerksdorp and are open for inspection at all reasonable times.

This amendment is known as Klerksdorp Land Use Management Scheme 1438 and shall come into operation from the date of publication of this notice.

Civic Centre
KLERKSDORP
Notice No: LUM10/2023
(13/1/8/439)

L SEAMETSO
MUNICIPAL MANAGER

24 February 2023

PLAASLIKE OWERHEID KENNISGEWING 413 VAN 2023**STADSRAAD VAN MATLOSANA****GOEDKEURING VAN WYSIGING VAN GRONDGEBRUIKBESTUURSKEMA**

Die Stadsraad van Matlosana verklaar hierby ingevolge die bepalings van Artikel 57(1) van die Ordonnansie op Dorpsbeplanning en Dorpe, 1986, die Ruimtelike en Grondgebruiksbestuurswet 16 van 2013 (SPLUMA, 2013), en die Stadsraad van Matlosana se Ruimtelike en Grondgebruiksbestuursverordening, 2016, die goedkeuring van 'n wysigingskema, synde 'n wysiging van die Klerksdorp Grondgebruikbestuurskema, 2005 deur die hersoening van die Restant van Gedeelte 15 ('n Gedeelte van Gedeelte 1), die Restant van Gedeelte 19 ('n Gedeelte van Gedeelte 15), 'n Gedeelte van Gedeelte 45 ('n Gedeelte van Gedeelte 19) en 'n Gedeelte van Gedeelte 46 ('n Gedeelte van Gedeelte 18) van die Plaas Goedgenoeg 433IP van "Landbou" na "Spesiaal" vir die doeleindes van 'n sonkragaanleg.

Kaart 3 en die skemaklousules van die wysigingskema word in bewaring gehou deur die Munisipale Bestuurder, Klerksdorp en is beskikbaar vir inspeksie op alle redelike tye.

Hierdie wysiging staan bekend as Klerksdorp Grondgebruikbestuurskema 1438 en tree in werking van die datum van publikasie van hierdie kennisgewing.

Burgersentrum
KLERKSDORP
Kennisgewing nr: LUM10/2023
(13/1/8/439)

L SEAMETSO
MUNISIPALE BESTUURDER

24 Februarie 2023

LOCAL AUTHORITY NOTICE 414 OF 2023**CITY COUNCIL OF MATLOSANA****APPROVAL OF AMENDMENT OF LAND USE MANAGEMENT SCHEME**

The City Council of Matlosana hereby in terms of the provisions of Section 57(1) of the Town-Planning and Townships Ordinance, 1986, the Spatial Planning and Land Use Management Act 16 of 2013 (SPLUMA, 2013) and the City of Matlosana Spatial Planning and Land Use Management By-Law, 2016, declares the approval of an amendment scheme being an amendment of the Klerksdorp Land Use Management Scheme, 2005, by the rezoning of Portion 1 of Erf 217, Flamwood from "Residential 1" to "Residential 2" with a density of three (3) dwelling units and the simultaneous application for the removal, amendment or suspension of restrictive title conditions A.(b) on page 2, B.(a) on page 3, B.(c)(i-iii) on pages 3-4 and B.(d) on page 4 in Deed of Transfer T2017/2023.

Map 3 and the scheme clauses of the amendment scheme are filed with the Municipal Manager, Klerksdorp and are open for inspection at all reasonable times.

This amendment is known as Klerksdorp Land Use Management Scheme 1440 and shall come into operation from the date of publication of this notice.

Civic Centre
KLERKSDORP
Notice No: LUM17/2023
(13/1/8/441)

L SEAMETSO
MUNICIPAL MANAGER

6 April 2023

PLAASLIKE OWERHEID KENNISGEWING 414 VAN 2023**STADSRAAD VAN MATLOSANA****GOEDKEURING VAN WYSIGING VAN GRONDGEBRUIKBESTUURSKEMA**

Die Stadsraad van Matlosana verklaar hierby ingevolge die bepalings van Artikel 57(1) van die Ordonnansie op Dorpsbeplanning en Dorpe, 1986, die Ruimtelike en Grondgebruiksbestuurswet 16 van 2013 (SPLUMA, 2013), en die Stadsraad van Matlosana se Ruimtelike en Grondgebruiksbestuursverordening, 2016, die goedkeuring van 'n wysigingskema, synde 'n wysiging van die Klerksdorp Grondgebruikbestuurskema, 2005 deur die hersonering van Gedeekte 1 van Erf 217, Flamwood van "Residensieel 1" na Residensieel 2" met 'n digtheid van drie (3) wooneenhede en die gelyktydige aansoek vir die verwydering, verandering of opskorting van beperkende titelvoorwaardes A.(b) op bladsy 2, B.(a) op bladsy 3, B.(c)(i-iii) op bladsye 3-4 en B.(d) op bladsy 4 in Titelakte T2017/2023.

Kaart 3 en die skemaklousules van die wysigingskema word in bewaring gehou deur die Munisipale Bestuurder, Klerksdorp en is beskikbaar vir inspeksie op alle redelike tye.

Hierdie wysiging staan bekend as Klerksdorp Grondgebruikbestuurskema 1440 en tree in werking van die datum van publikasie van hierdie kennisgewing.

Burgersentrum
KLERKSDORP
Kennisgewing nr: LUM17/2023
(13/1/8/441)

L SEAMETSO
MUNISIPALE BESTEURDER

6 April 2023

LOCAL AUTHORITY NOTICE 415 OF 2023**CITY COUNCIL OF MATLOSANA****APPROVAL OF AMENDMENT OF LAND USE MANAGEMENT SCHEME**

The City Council of Matlosana hereby in terms of the provisions of Section 57(1) of the Town-Planning and Townships Ordinance, 1986, the Spatial Planning and Land Use Management Act 16 of 2013 (SPLUMA, 2013) and the City of Matlosana Spatial Planning and Land Use Management By-Law, 2016, declares the approval of an amendment scheme being an amendment of the Klerksdorp Land Use Management Scheme, 2005, by the rezoning of the Remainder of Holding 49, Wilkoppies Agricultural Holdings from "Agricultural" to "Special" for the purposes of a place of instruction, a light service industry and a retail shop and the simultaneous application for the removal, amendment or suspension of restrictive title conditions (c) on pages 3-4, (e)(i-vi) on pages 4-5 and (f) on page 5 in Deed of Transfer T44123/1976.

Map 3 and the scheme clauses of the amendment scheme are filed with the Municipal Manager, Klerksdorp and are open for inspection at all reasonable times.

This amendment is known as Klerksdorp Land Use Management Scheme 1442 and shall come into operation from the date of publication of this notice.

Civic Centre
KLERKSDORP
Notice No: LUM12/2023
(13/1/8/443)

L SEAMETSO
MUNICIPAL MANAGER

10 March 2023

PLAASLIKE OWERHEID KENNISGEWING 415 VAN 2023**STADSRAAD VAN MATLOSANA****GOEDKEURING VAN WYSIGING VAN GRONDGEBRUIKBESTUURSKEMA**

Die Stadsraad van Matlosana verklaar hierby ingevolge die bepalings van Artikel 57(1) van die Ordonnansie op Dorpsbeplanning en Dorpe, 1986, die Ruimtelike en Grondgebruiksbestuurswet 16 van 2013 (SPLUMA, 2013), en die Stadsraad van Matlosana se Ruimtelike en Grondgebruiksbestuursverordening, 2016, die goedkeuring van 'n wysigingskema, synde 'n wysiging van die Klerksdorp Grondgebruikbestuurskema, 2005 deur die hersonering van die Restant van Hoewe 49, Wilkoppies Landbouhoeves van "Landbou" na "Spesiaal" vir die doeleindes van plek van onderrig, 'n klein diensonderneming en 'n kleinhandel-winkel die gelyktydige aansoek vir die verwydering, verandering of opskorting van beperkende titelvoorwaardes (c) op bladsye 3-4, (e)(i-vi) op bladsye 4-5 en (f) op bladsy 5 in Titelakte T44123/1976.

Kaart 3 en die skemaklousules van die wysigingskema word in bewaring gehou deur die Munisipale Bestuurder, Klerksdorp en is beskikbaar vir inspeksie op alle redelike tye.

Hierdie wysiging staan bekend as Klerksdorp Grondgebruikbestuurskema 1442 en tree in werking van die datum van publikasie van hierdie kennisgewing.

Burgersentrum
KLERKSDORP
Kennisgewing nr: LUM12/2023
(13/1/8/443)

L SEAMETSO
MUNISIPALE BESTUURDER

10 Maart 2023

LOCAL AUTHORITY NOTICE 416 OF 2023**CITY COUNCIL OF MATLOSANA****APPROVAL OF AMENDMENT OF LAND USE MANAGEMENT SCHEME**

The City Council of Matlosana hereby in terms of the provisions of Section 57(1) of the Town-Planning and Townships Ordinance, 1986, the Spatial Planning and Land Use Management Act 16 of 2013 (SPLUMA, 2013) and the City of Matlosana Spatial Planning and Land Use Management By-Law, 2016, declares the approval of an amendment scheme being an amendment of the Klerksdorp Land Use Management Scheme, 2005, by the rezoning of a Portion of the Remainder of Portion 1 of the Farm Townlands 424IP from "Industrial 2" to "Industrial 2", specifying that the property may also be utilised for "Business 1" (retail trade) purposes.

Map 3 and the scheme clauses of the amendment scheme are filed with the Municipal Manager, Klerksdorp and are open for inspection at all reasonable times.

This amendment is known as Klerksdorp Land Use Management Scheme 1448 and shall come into operation from the date of publication of this notice.

Civic Centre
KLERKSDORP
Notice No: LUM26/2023
(13/1/8/449)

L SEAMETSO
MUNICIPAL MANAGER

10 July 2023

PLAASLIKE OWERHEID KENNISGEWING 416 VAN 2023**STADSRAAD VAN MATLOSANA****GOEDKEURING VAN WYSIGING VAN GRONDGEBRUIKBESTUURSKEMA**

Die Stadsraad van Matlosana verklaar hierby ingevolge die bepalings van Artikel 57(1) van die Ordonnansie op Dorpsbeplanning en Dorpe, 1986, die Ruimtelike en Grondgebruiksbestuurswet 16 van 2013 (SPLUMA, 2013), en die Stadsraad van Matlosana se Ruimtelike en Grondgebruiksbestuursverordening, 2016, die goedkeuring van 'n wysigingskema, synde 'n wysiging van die Klerksdorp Grondgebruikbestuurskema, 2005 deur die hersonering van 'n Gedeelte van die Restant van Gedeelte 1 van die Plaas Townlands 424IP van "Industrieel 2" na "Industrieel 2" met spesifieke verwysing dat die eiendom ook gebruik mag word vir "Besigheid 1" (kleinmaatverkope) doeleiendes.

Kaart 3 en die skemaklousules van die wysigingskema word in bewaring gehou deur die Munisipale Bestuurder, Klerksdorp en is beskikbaar vir inspeksie op alle redelike tye.

Hierdie wysiging staan bekend as Klerksdorp Grondgebruikbestuurskema 1448 en tree in werking van die datum van publikasie van hierdie kennisgewing.

Burgersentrum
KLERKSDORP
Kennisgewing nr: LUM26/2023
(13/1/8/449)

L SEAMETSO
MUNISIPALE BESTUURDER

10 Julie 2023

LOCAL AUTHORITY NOTICE 417 OF 2023**CITY COUNCIL OF MATLOSANA****APPROVAL OF AMENDMENT OF LAND USE MANAGEMENT SCHEME**

The City Council of Matlosana hereby in terms of the provisions of Section 57(1) of the Town-Planning and Townships Ordinance, 1986, the Spatial Planning and Land Use Management Act 16 of 2013 (SPLUMA, 2013) and the City of Matlosana Spatial Planning and Land Use Management By-Law, 2016, declares the approval of an amendment scheme being an amendment of the Klerksdorp Land Use Management Scheme, 2005, by the rezoning of Erf 11268, Jouberton, Extension 6 from "Residential 2" with a density of five (5) dwelling units to "Residential 2" with a density of eight (8) dwelling units.

Map 3 and the scheme clauses of the amendment scheme are filed with the Municipal Manager, Klerksdorp and are open for inspection at all reasonable times.

This amendment is known as Klerksdorp Land Use Management Scheme 1461 and shall come into operation from the date of publication of this notice.

Civic Centre
KLERKSDORP
Notice No: LUM34/2023
(13/1/8/462)

L SEAMETSO
MUNICIPAL MANAGER

28 July 2023

PLAASLIKE OWERHEID KENNISGEWING 417 VAN 2023**STADSRAAD VAN MATLOSANA****GOEDKEURING VAN WYSIGING VAN GRONDGEBRUIKBESTUURSKEMA**

Die Stadsraad van Matlosana verklaar hierby ingevolge die bepalings van Artikel 57(1) van die Ordonnansie op Dorpsbeplanning en Dorpe, 1986, die Ruimtelike en Grondgebruiksbestuurswet 16 van 2013 (SPLUMA, 2013), en die Stadsraad van Matlosana se Ruimtelike en Grondgebruiksbestuursverordening, 2016, die goedkeuring van 'n wysigingskema, synde 'n wysiging van die Klerksdorp Grondgebruikbestuurskema, 2005 deur die hersonering van Erf 11268, Jouberton, Uitbreiding 6 van "Residensieel 2" met 'n digtheid van vyf (5) wooneenhede na "Residensieel 2" met 'n digtheid van agt (8) wooneenhede.

Kaart 3 en die skemaklousules van die wysigingskema word in bewaring gehou deur die Munisipale Bestuurder, Klerksdorp en is beskikbaar vir inspeksie op alle redelike tye.

Hierdie wysiging staan bekend as Klerksdorp Grondgebruikbestuurskema 1461 en tree in werking van die datum van publikasie van hierdie kennisgewing.

Burgersentrum
KLERKSDORP
Kennisgewing nr: LUM34/2023
(13/1/8/462)

L SEAMETSO
MUNISIPALE BESTUURDER

28 Julie 2023

LOCAL AUTHORITY NOTICE 418 OF 2023**CITY COUNCIL OF MATLOSANA****APPROVAL OF AMENDMENT OF LAND USE MANAGEMENT SCHEME**

The City Council of Matlosana hereby in terms of the provisions of Section 57(1) of the Town-Planning and Townships Ordinance, 1986, the Spatial Planning and Land Use Management Act 16 of 2013 (SPLUMA, 2013) and the City of Matlosana Spatial Planning and Land Use Management By-Law, 2016, declares the approval of an amendment scheme being an amendment of the Klerksdorp Land Use Management Scheme, 2005, by the rezoning of Erf 217, Declercqville from "Public Open Space" to "Residential 2" with a density of sixteen (16) dwelling units.

Map 3 and the scheme clauses of the amendment scheme are filed with the Municipal Manager, Klerksdorp and are open for inspection at all reasonable times.

This amendment is known as Klerksdorp Land Use Management Scheme 1462 and shall come into operation from the date of publication of this notice.

Civic Centre
KLERKSDORP
Notice No: LUM15/2023
(13/1/8/463)

L SEAMETSO
MUNICIPAL MANAGER

24 March 2023

PLAASLIKE OWERHEID KENNISGEWING 418 VAN 2023**STADSRAAD VAN MATLOSANA****GOEDKEURING VAN WYSIGING VAN GRONDGEBRUIKBESTUURSKEMA**

Die Stadsraad van Matlosana verklaar hierby ingevolge die bepalings van Artikel 57(1) van die Ordonnansie op Dorpsbeplanning en Dorpe, 1986, die Ruimtelike en Grondgebruiksbestuurswet 16 van 2013 (SPLUMA, 2013), en die Stadsraad van Matlosana se Ruimtelike en Grondgebruiksbestuursverordening, 2016, die goedkeuring van 'n wysigingskema, synde 'n wysiging van die Klerksdorp Grondgebruikbestuurskema, 2005 deur die hersonering van Erf 217, Declercqville van "Publieke Oop Spasie" na "Residensieel 2" met 'n digtheid van sestien (16) wooneenhede.

Kaart 3 en die skemaklousules van die wysigingskema word in bewaring gehou deur die Munisipale Bestuurder, Klerksdorp en is beskikbaar vir inspeksie op alle redelike tye.

Hierdie wysiging staan bekend as Klerksdorp Grondgebruikbestuurskema 1462 en tree in werking van die datum van publikasie van hierdie kennisgewing.

Burgersentrum
KLERKSDORP
Kennisgewing nr: LUM15/2023
(13/1/8/463)

L SEAMETSO
MUNISIPALE BESTUURDER

24 Maart 2023

LOCAL AUTHORITY NOTICE 419 OF 2023**CITY COUNCIL OF MATLOSANA****APPROVAL OF AMENDMENT OF LAND USE MANAGEMENT SCHEME**

The City Council of Matlosana hereby in terms of the provisions of Section 57(1) of the Town-Planning and Townships Ordinance, 1986, the Spatial Planning and Land Use Management Act 16 of 2013 (SPLUMA, 2013) and the City of Matlosana Spatial Planning and Land Use Management By-Law, 2016, declares the approval of an amendment scheme being an amendment of the Klerksdorp Land Use Management Scheme, 2005, by the rezoning of Portion 1 of Erf 779, Flamwood, Extension 3 from "Residential 1" to "Residential 2" with a density of three (3) dwelling units.

Map 3 and the scheme clauses of the amendment scheme are filed with the Municipal Manager, Klerksdorp and are open for inspection at all reasonable times.

This amendment is known as Klerksdorp Land Use Management Scheme 1463 and shall come into operation from the date of publication of this notice.

Civic Centre
KLERKSDORP
Notice No: LUM16/2023
(13/1/8/464)

L SEAMETSO
MUNICIPAL MANAGER

28 March 2023

PLAASLIKE OWERHEID KENNISGEWING 419 VAN 2023**STADSRAAD VAN MATLOSANA****GOEDKEURING VAN WYSIGING VAN GRONDGEBRUIKBESTUURSKEMA**

Die Stadsraad van Matlosana verklaar hierby ingevolge die bepalings van Artikel 57(1) van die Ordonnansie op Dorpsbeplanning en Dorpe, 1986, die Ruimtelike en Grondgebruiksbestuurswet 16 van 2013 (SPLUMA, 2013), en die Stadsraad van Matlosana se Ruimtelike en Grondgebruiksbestuursverordening, 2016, die goedkeuring van 'n wysigingskema, synde 'n wysiging van die Klerksdorp Grondgebruikbestuurskema, 2005 deur die hersonering van Gedeelte 1 van Erf 779, Flamwood, Uitbreiding 3 van "Residensieel 1" na "Residensieel 2" met 'n digtheid van drie (3) wooneenhede.

Kaart 3 en die skemaklousules van die wysigingskema word in bewaring gehou deur die Munisipale Bestuurder, Klerksdorp en is beskikbaar vir inspeksie op alle redelike tye.

Hierdie wysiging staan bekend as Klerksdorp Grondgebruikbestuurskema 1463 en tree in werking van die datum van publikasie van hierdie kennisgewing.

Burgersentrum
KLERKSDORP
Kennisgewing nr: LUM16/2023
(13/1/8/464)

L SEAMETSO
MUNISIPALE BESTUURDER

28 Maart 2023

LOCAL AUTHORITY NOTICE 420 OF 2023**CITY COUNCIL OF MATLOSANA****APPROVAL OF AMENDMENT OF LAND USE MANAGEMENT SCHEME**

The City Council of Matlosana hereby in terms of the provisions of Section 57(1) of the Town-Planning and Townships Ordinance, 1986, the Spatial Planning and Land Use Management Act 16 of 2013 (SPLUMA, 2013) and the City of Matlosana Spatial Planning and Land Use Management By-Law, 2016, declares the approval of an amendment scheme being an amendment of the Klerksdorp Land Use Management Scheme, 2005, by the rezoning of Portion 606 (Portion of Portion 1) of the Farm Townlands 424IP from "Municipal" to "Special" for the purposes of place of refreshment, fueling facility, overnight facility, workshop and other purposes with the special consent of the Local Authority.

Map 3 and the scheme clauses of the amendment scheme are filed with the Municipal Manager, Klerksdorp and are open for inspection at all reasonable times.

This amendment is known as Klerksdorp Land Use Management Scheme 1465 and shall come into operation from the date of publication of this notice.

Civic Centre
KLERKSDORP
Notice No: LUM13/2023
(13/1/8/466)

L SEAMETSO
MUNICIPAL MANAGER

1 March 2023

PLAASLIKE OWERHEID KENNISGEWING 420 VAN 2023**STADSRAAD VAN MATLOSANA****GOEDKEURING VAN WYSIGING VAN GRONDGEBRUIKBESTUURSKEMA**

Die Stadsraad van Matlosana verklaar hierby ingevolge die bepalings van Artikel 57(1) van die Ordonnansie op Dorpsbeplanning en Dorpe, 1986, die Ruimtelike en Grondgebruiksbestuurswet 16 van 2013 (SPLUMA, 2013), en die Stadsraad van Matlosana se Ruimtelike en Grondgebruiksbestuursverordening, 2016, die goedkeuring van 'n wysigingskema, synde 'n wysiging van die Klerksdorp Grondgebruikbestuurskema, 2005 deur die hersonering van Gedeelte 606 (Gedeelte van Gedeelte 1) van die Plaas Townlands 424IP van "Munisipaal" na "Spesiaal" vir die doeleindes van 'n plek vir verversings, brandstof fasiliteit, oornag fasiliteit, werkswinkel en ander doeleindes met die spesiale toestemming van die Plaaslike Owerheid.

Kaart 3 en die skemaklousules van die wysigingskema word in bewaring gehou deur die Munisipale Bestuurder, Klerksdorp en is beskikbaar vir inspeksie op alle redelike tye.

Hierdie wysiging staan bekend as Klerksdorp Grondgebruikbestuurskema 1465 en tree in werking van die datum van publikasie van hierdie kennisgewing.

Burgersentrum
KLERKSDORP
Kennisgewing nr: LUM13/2023
(13/1/8/466)

L SEAMETSO
MUNISIPALE BESTUURDER

1 Maart 2023

LOCAL AUTHORITY NOTICE 421 OF 2023**CITY COUNCIL OF MATLOSANA****APPROVAL OF AMENDMENT OF LAND USE MANAGEMENT SCHEME**

The City Council of Matlosana hereby in terms of the provisions of Section 57(1) of the Town-Planning and Townships Ordinance, 1986, the Spatial Planning and Land Use Management Act 16 of 2013 (SPLUMA, 2013) and the City of Matlosana Spatial Planning and Land Use Management By-Law, 2016, declares the approval of an amendment scheme being an amendment of the Klerksdorp Land Use Management Scheme, 2005, by the rezoning of Erf 900, Stilfontein, Extension 2 from "Residential 1" to "Special" for the purposes of storage facilities and related facilities and the simultaneous application for the removal, amendment or suspension of restrictive title conditions A.(j) on page 3, A.(l) on page 3 and A.(m) on page 4 of Deed of Transfer T65/2022.

Map 3 and the scheme clauses of the amendment scheme are filed with the Municipal Manager, Klerksdorp and are open for inspection at all reasonable times.

This amendment is known as Klerksdorp Land Use Management Scheme 1467 and shall come into operation from the date of publication of this notice.

Civic Centre
KLERKSDORP
Notice No: LUM23/2023
(13/1/8/468)

L SEAMETSO
MUNICIPAL MANAGER

26 June 2023

PLAASLIKE OWERHEID KENNISGEWING 421 VAN 2023**STADSRAAD VAN MATLOSANA****GOEDKEURING VAN WYSIGING VAN GRONDGEBRUIKBESTUURSKEMA**

Die Stadsraad van Matlosana verklaar hierby ingevolge die bepalings van Artikel 57(1) van die Ordonnansie op Dorpsbeplanning en Dorpe, 1986, die Ruimtelike en Grondgebruiksbestuurswet 16 van 2013 (SPLUMA, 2013), en die Stadsraad van Matlosana se Ruimtelike en Grondgebruiksbestuursverordening, 2016, die goedkeuring van 'n wysigingskema, synde 'n wysiging van die Klerksdorp Grondgebruikbestuurskema, 2005 deur die hersonering van Erf 900, Stilfontein, Uitbreiding 2 van "Residensieel 1" na "Spesiaal" vir die doeleindes van 'n stoorfasiliteit en verwante fasiliteite en die gelyktydige aansoek vir die verwydering, verandering of opskorting van die beperkende titelvoorwaardes A.(j) op bladsy 3, A.(l) op bladsy 3 en A.(m) op bladsy 4 in Titelakte T65/2022.

Kaart 3 en die skemaklousules van die wysigingskema word in bewaring gehou deur die Munisipale Bestuurder, Klerksdorp en is beskikbaar vir inspeksie op alle redelike tye.

Hierdie wysiging staan bekend as Klerksdorp Grondgebruikbestuurskema 1467 en tree in werking van die datum van publikasie van hierdie kennisgewing.

Burgersentrum
KLERKSDORP
Kennisgewing nr: LUM23/2023
(13/1/8/468)

L SEAMETSO
MUNISIPALE BESTUURDER

26 Junie 2023

LOCAL AUTHORITY NOTICE 422 OF 2023**CITY COUNCIL OF MATLOSANA****APPROVAL OF AMENDMENT OF LAND USE MANAGEMENT SCHEME**

The City Council of Matlosana hereby in terms of the provisions of Section 57(1) of the Town-Planning and Townships Ordinance, 1986, the Spatial Planning and Land Use Management Act 16 of 2013 (SPLUMA, 2013) and the City of Matlosana Spatial Planning and Land Use Management By-Law, 2016, declares the approval of an amendment scheme being an amendment of the Klerksdorp Land Use Management Scheme, 2005, by the rezoning of Portion 589 and Portion 592 of the Farm Elandsheuvel 402IP from "Agricultural" to "Special" for the purposes of three (3) dwelling units and a transport depot.

Map 3 and the scheme clauses of the amendment scheme are filed with the Municipal Manager, Klerksdorp and are open for inspection at all reasonable times.

This amendment is known as Klerksdorp Land Use Management Scheme 1468 and shall come into operation from the date of publication of this notice.

Civic Centre
KLERKSDORP
Notice No: LUM14/2023
(13/1/8/469)

L SEAMETSO
MUNICIPAL MANAGER

15 March 2023

PLAASLIKE OWERHEID KENNISGEWING 422 VAN 2023**STADSRAAD VAN MATLOSANA****GOEDKEURING VAN WYSIGING VAN GRONDGEBRUIKBESTUURSKEMA**

Die Stadsraad van Matlosana verklaar hierby ingevolge die bepalings van Artikel 57(1) van die Ordonnansie op Dorpsbeplanning en Dorpe, 1986, die Ruimtelike en Grondgebruiksbestuurswet 16 van 2013 (SPLUMA, 2013), en die Stadsraad van Matlosana se Ruimtelike en Grondgebruiksbestuursverordening, 2016, die goedkeuring van 'n wysigingskema, synde 'n wysiging van die Klerksdorp Grondgebruikbestuurskema, 2005 deur die hersonering van Gedeelte 589 and Gedeelte 592 van die Plaas Elandsheuvel 402IP van "Landbou" na "Spesiaal" vir die doeleindes van drie (3) wooneenhede en 'n vervoer-stoorfasiliteit.

Kaart 3 en die skemaklousules van die wysigingskema word in bewaring gehou deur die Munisipale Bestuurder, Klerksdorp en is beskikbaar vir inspeksie op alle redelike tye.

Hierdie wysiging staan bekend as Klerksdorp Grondgebruikbestuurskema 1468 en tree in werking van die datum van publikasie van hierdie kennisgewing.

Burgersentrum
KLERKSDORP
Kennisgewing nr: LUM14/2023
(13/1/8/469)

L SEAMETSO
MUNISIPALE BESTUURDER

15 Maart 2023

LOCAL AUTHORITY NOTICE 423 OF 2023**CITY COUNCIL OF MATLOSANA****APPROVAL OF AMENDMENT OF LAND USE MANAGEMENT SCHEME**

The City Council of Matlosana hereby in terms of the provisions of Section 57(1) of the Town-Planning and Townships Ordinance 15 of 1986, the Spatial Planning and Land Use Management Act 16 of 2013 (SPLUMA, 2013) and the City of Matlosana Spatial Planning and Land Use Management By-law, 2016, declares the approval of an amendment scheme being an amendment of the Klerksdorp Land Use Management Scheme, 2005, by the rezoning of Erf 938, Boetrand from "Public Open Space" to "Residential 1" and "Public Open Space", Erf 943, Boetrand from "Public Open Space" to "Residential 1" and Erf 944, Boetrand from "Public Open Space" to "Residential 2".

Map 3 and the scheme clauses of the amendment scheme are filed with the Municipal Manager, Klerksdorp and are open for inspection at all reasonable times.

This amendment is known as Klerksdorp Land Use Management Scheme 1472 and shall come into operation from the date of publication of this notice.

Civic Centre
KLERKSDORP
Notice No: LUM35/2023
(13/1/8/473)

L SEAMETSO
MUNICIPAL MANAGER

27 July 2023

PLAASLIKE OWERHEID KENNISGEWING 423 VAN 2023**STADSRAAD VAN MATLOSANA****GOEDKEURING VAN WYSIGING VAN GRONDGEBRUIKBESTUURSKEMA**

Die Stadsraad van Matlosana verklaar hierby ingevolge die bepalings van Artikel 57(1) van die Ordonnansie op Dorpsbeplanning en Dorpe 15 van 1986, die Ruimtelike en Grondgebruiksbestuurswet 16 van 2013 (SPLUMA, 2013) en die Stadsraad van Matlosana se Ruimtelike en Grondgebruiksbestuursverordening, 2016, die goedkeuring van 'n wysiging van die Klerksdorp Grondgebruikbestuurskema, 2005, deur die hersonering van Erf 938, Boetrand van "Publieke Oop Spasie" na "Residensieel 1" en "Publieke Oop Spasie" en Erf 943, Boetrand van "Publieke Oop Spasie" na "Residensieel 1" en Erf 944, Boetrand van "Publieke Oop Spasie" na "Residensieel 2".

Kaart 3 en die skemaklousules van die wysigingskema word in bewaring gehou deur die Munisipale Bestuurder, Klerksdorp en is beskikbaar vir inspeksie op alle redelike tye.

Hierdie wysiging staan bekend as Klerksdorp Grondgebruikbestuurskema 1472 en tree in werking van die datum van publikasie van hierdie kennisgewing.

Burgersentrum
KLERKSDORP
Kennisgewing nr: LUM35/2023
(13/1/8/473)

L SEAMETSO
MUNISIPALE BESTUURDER

27 Julie 2023

LOCAL AUTHORITY NOTICE 424 OF 2023**CITY COUNCIL OF MATLOSANA****APPROVAL OF AMENDMENT OF LAND USE MANAGEMENT SCHEME**

The City Council of Matlosana hereby in terms of the provisions of Section 57(1) of the Town-Planning and Townships Ordinance 15 of 1986, the Spatial Planning and Land Use Management Act 16 of 2013 (SPLUMA, 2013) and the City of Matlosana Spatial Planning and Land Use Management By-law, 2016, declares the approval of an amendment scheme being an amendment of the Klerksdorp Land Use Management Scheme, 2005, by the rezoning of Portions 1 to 15 of Erf 616, Ellaton from "Institutional" to "Residential 1", Portion 18 of Erf 616, Ellaton from "Institutional" to "Municipal" and Portion 19 of Erf 616, Ellaton from "Institutional" to "Existing Public Roads" and the simultaneous application for the removal, amendment or suspension of restrictive title conditions C. on pages 2-4 and D. on page 4 in Title Deed T84941/1993.

Map 3 and the scheme clauses of the amendment scheme are filed with the Municipal Manager, Klerksdorp and are open for inspection at all reasonable times.

This amendment is known as Klerksdorp Land Use Management Scheme 1473 and shall come into operation from the date of publication of this notice.

Civic Centre
KLERKSDORP
Notice No: LUM37/2023
(13/1/8/474)

L SEAMETSO
MUNICIPAL MANAGER

2 August 2023

PLAASLIKE OWERHEID KENNISGEWING 424 VAN 2023**STADSRAAD VAN MATLOSANA****GOEDKEURING VAN WYSIGING VAN GRONDGEBRUIKBESTUURSKEMA**

Die Stadsraad van Matlosana verklaar hierby ingevolge die bepalings van Artikel 57(1) van die Ordonnansie op Dorpsbeplanning en Dorpe 15 van 1986, die Ruimtelike en Grondgebruiksbestuurswet 16 van 2013 (SPLUMA, 2013) en die Stadsraad van Matlosana se Ruimtelike en Grondgebruiksbestuursverordening, 2016, die goedkeuring van 'n wysiging van die Klerksdorp Grondgebruikbestuurskema, 2005, deur die hersonering van Gedeeltes 1 tot 15 van Erf 616, Ellaton van "Institusioneel" na "Residensieel 1", Gedeelte 18 van Erf 616, Ellaton van "Institusioneel" na "Munisipaal" en Gedeelte 19 van Erf 616, Ellaton van "Institusioneel" na "Bestaande Publieke Paaie" en die gelyktydige aansoek vir die verwydering, verandering of opskorting van beperkende titelvoorwaardes C. op bladsye 2-4 en D. op bladsy 4 van Titelakte T84941/1993.

Kaart 3 en die skemaklousules van die wysigingskema word in bewaring gehou deur die Munisipale Bestuurder, Klerksdorp en is beskikbaar vir inspeksie op alle redelike tye.

Hierdie wysiging staan bekend as Klerksdorp Grondgebruikbestuurskema 1473 en tree in werking van die datum van publikasie van hierdie kennisgewing.

Burgersentrum
KLERKSDORP
Kennisgewing nr: LUM37/2023
(13/1/8/474)

L SEAMETSO
MUNISIPALE BESTUURDER

2 August 2023

LOCAL AUTHORITY NOTICE 425 OF 2023**CITY COUNCIL OF MATLOSANA****APPROVAL OF AMENDMENT OF LAND USE MANAGEMENT SCHEME**

The City Council of Matlosana hereby in terms of the provisions of Section 57(1) of the Town-Planning and Townships Ordinance 15 of 1986, the Spatial Planning and Land Use Management Act 16 of 2013 (SPLUMA, 2013) and the City of Matlosana Spatial Planning and Land Use Management By-law, 2016, declares the approval of an amendment scheme being an amendment of the Klerksdorp Land Use Management Scheme, 2005, by the rezoning of Erf 302, Flamwood from "Public Open Space" to "Residential 1" and Erf 1251, Flamwood, Extension 7 from "Public Open Space" to "Residential 1".

Map 3 and the scheme clauses of the amendment scheme are filed with the Municipal Manager, Klerksdorp and are open for inspection at all reasonable times.

This amendment is known as Klerksdorp Land Use Management Scheme 1474 and shall come into operation from the date of publication of this notice.

Civic Centre
KLERKSDORP
Notice No: LUM36/2023
(13/1/8/475)

L SEAMETSO
MUNICIPAL MANAGER

27 July 2023

PLAASLIKE OWERHEID KENNISGEWING 425 VAN 2023**STADSRAAD VAN MATLOSANA****GOEDKEURING VAN WYSIGING VAN GRONDGEBRUIKBESTUURSKEMA**

Die Stadsraad van Matlosana verklaar hierby ingevolge die bepalings van Artikel 57(1) van die Ordonnansie op Dorpsbeplanning en Dorpe 15 van 1986, die Ruimtelike en Grondgebruiksbestuurswet 16 van 2013 (SPLUMA, 2013) en die Stadsraad van Matlosana se Ruimtelike en Grondgebruiksbestuursverordening, 2016, die goedkeuring van 'n wysiging van die Klerksdorp Grondgebruikbestuurskema, 2005, deur die hersonering van Erf 302, Flamwood van "Publieke Oop Spasie" na "Residensieel 1" en Erf 1251, Flamwood, Extension 7 van "Publieke Oop Spasie" na "Residensieel 1".

Kaart 3 en die skemaklousules van die wysigingskema word in bewaring gehou deur die Munisipale Bestuurder, Klerksdorp en is beskikbaar vir inspeksie op alle redelike tye.

Hierdie wysiging staan bekend as Klerksdorp Grondgebruikbestuurskema 1474 en tree in werking van die datum van publikasie van hierdie kennisgewing.

Burgersentrum
KLERKSDORP
Kennisgewing nr: LUM36/2023
(13/1/8/475)

L SEAMETSO
MUNISIPALE BESTUURDER

27 Julie 2023

LOCAL AUTHORITY NOTICE 426 OF 2023**CITY COUNCIL OF MATLOSANA****APPROVAL OF AMENDMENT OF LAND USE MANAGEMENT SCHEME**

The City Council of Matlosana hereby in terms of the provisions of Section 57(1) of the Town-Planning and Townships Ordinance 15 of 1986, the Spatial Planning and Land Use Management Act 16 of 2013 (SPLUMA, 2013) and the City of Matlosana Spatial Planning and Land Use Management By-law, 2016, declares the approval of an amendment scheme being an amendment of the Klerksdorp Land Use Management Scheme, 2005, by the rezoning of Portions 1 to 8 of Erf 564, Flimieda from "Public Open Space" to "Residential 1" and Portion 9 of Erf 564, Flimieda from "Public Open Space" to "Municipal".

Map 3 and the scheme clauses of the amendment scheme are filed with the Municipal Manager, Klerksdorp and are open for inspection at all reasonable times.

This amendment is known as Klerksdorp Land Use Management Scheme 1475 and shall come into operation from the date of publication of this notice.

Civic Centre
KLERKSDORP
Notice No: LUM38/2023
(13/1/8/476)

L SEAMETSO
MUNICIPAL MANAGER

2 August 2023

PLAASLIKE OWERHEID KENNISGEWING 426 VAN 2023**STADSRAAD VAN MATLOSANA****GOEDKEURING VAN WYSIGING VAN GRONDGEBRUIKBESTUURSKEMA**

Die Stadsraad van Matlosana verklaar hierby ingevolge die bepalings van Artikel 57(1) van die Ordonnansie op Dorpsbeplanning en Dorpe 15 van 1986, die Ruimtelike en Grondgebruiksbestuurswet 16 van 2013 (SPLUMA, 2013) en die Stadsraad van Matlosana se Ruimtelike en Grondgebruiksbestuursverordening, 2016, die goedkeuring van 'n wysiging van die Klerksdorp Grondgebruikbestuurskema, 2005, deur die hersonering van Gedeeltes 1 tot 8 van Erf 564, Flimieda van "Publieke Oop Spasie" na "Residensieel 1" en Gedeelte 9 van Erf 564, Flimieda van "Publieke Oop Spasie" na "Munisipaal".

Kaart 3 en die skemaklousules van die wysigingskema word in bewaring gehou deur die Munisipale Bestuurder, Klerksdorp en is beskikbaar vir inspeksie op alle redelike tye.

Hierdie wysiging staan bekend as Klerksdorp Grondgebruikbestuurskema 1475 en tree in werking van die datum van publikasie van hierdie kennisgewing.

Burgersentrum
KLERKSDORP
Kennisgewing nr: LUM38/2023
(13/1/8/476)

L SEAMETSO
MUNISIPALE BESTUURDER

2 Augustus 2023

LOCAL AUTHORITY NOTICE 427 OF 2023**CITY COUNCIL OF MATLOSANA****APPROVAL OF AMENDMENT OF LAND USE MANAGEMENT SCHEME**

The City Council of Matlosana hereby in terms of the provisions of Section 57(1) of the Town Planning and Townships Ordinance, 1986, the Spatial Planning and Land Use Management Act 16 of 2013 (SPLUMA, 2013) and the City of Matlosana Spatial Planning and Land Use Management By-Law, 2016, declares the approval of an amendment scheme being an amendment of the Klerksdorp Land Use Management Scheme, 2005, by the rezoning of the Remainder of Erf 412, Freemanville from "Public Open Space" to "Residential 2" with a density of one-hundred (100) dwelling units per hectare.

Map 3 and the scheme clauses of the amendment scheme are filed with the Municipal Manager, Klerksdorp and are open for inspection at all reasonable times.

This amendment is known as Klerksdorp Land Use Management Scheme 1476 and shall come into operation from the date of publication of this notice.

Civic Centre
KLERKSDORP
Notice No: LUM44/2023
(13/1/8/477)

L SEAMETSO
MUNICIPAL MANAGER

16 August 2023

PLAASLIKE OWERHEID KENNISGEWING 427 VAN 2023**STADSRAAD VAN MATLOSANA****GOEDKEURING VAN WYSIGING VAN GRONDGEBRUIKBESTUURSKEMA**

Die Stadsraad van Matlosana verklaar hierby ingevolge die bepalings van Artikel 57(1) van die Ordonnansie op Dorpsbeplanning en Dorpe, 1986, die Ruimtelike en Grondgebruiksbestuurswet 16 van 2013 (SPLUMA, 2013) en die Stadsraad van Matlosana se Ruimtelike en Grondgebruiksbestuursverordening, 2016, die goedkeuring van 'n wysiging van die Klerksdorp Grondgebruikbestuurskema, 2005, deur die hersonering van die Restant van Erf 412, Freemanville van "Publieke Oop Spasie" na "Residensieel 2" met 'n digtheid van een-honderd (100) wooneenhede per hektaar.

Kaart 3 en die skemaklousules van die wysigingskema word in bewaring gehou deur die Munisipale Bestuurder, Klerksdorp en is beskikbaar vir inspeksie op alle redelike tye.

Hierdie wysiging staan bekend as Klerksdorp Grondgebruikbestuurskema 1476 tree in werking van die datum van publikasie van hierdie kennisgewing.

Burgersentrum
KLERKSDORP
Kennisgewing nr: LUM44/2023
(13/1/8/477)

L SEAMETSO
MUNISIPALE BESTUURDER

16 Augustus 2023

LOCAL AUTHORITY NOTICE 428 OF 2023**CITY COUNCIL OF MATLOSANA****APPROVAL OF AMENDMENT OF LAND USE MANAGEMENT SCHEME**

The City Council of Matlosana hereby in terms of the provisions of Section 57(1) of the Town Planning and Townships Ordinance 15 of 1986, the Spatial Planning and Land Use Management Act 16 of 2013 (SPLUMA, 2013) and the City of Matlosana Spatial Planning and Land Use Management By-Law, 2016, approves an amendment scheme being an amendment of the Klerksdorp Land Use Management Scheme, 2005, by the rezoning of Portion 1 of Erf 6142, Jouberton, Extension 10 from "Public Open Space" to "Institutional", Portions 2 to 45 of Erf 6142, Jouberton, Extension 10 from "Public Open Space" to "Residential 1" and Portions 47 to 49 of Erf 6142, Jouberton, Extension 10 from "Public Open Space" to "Existing Public Roads".

Map 3 and the scheme clauses of the amendment scheme are filed with the Municipal Manager, Klerksdorp and are open for inspection at all reasonable times.

This amendment is known as Klerksdorp Land Use Management Scheme 1477 and shall come into operation from the date of publication of this notice.

Civic Centre
KLERKSDORP
Notice No: LUM40/2023
(13/1/8/478)

L SEAMETSO
MUNICIPAL MANAGER

3 August 2023

PLAASLIKE OWERHEID KENNISGEWING 428 VAN 2023**STADSRAAD VAN MATLOSANA****GOEDKEURING VAN WYSIGING VAN GRONDGEBRUIKBESTUURSKEMA**

Die Stadsraad van Matlosana verklaar hierby ingevolge die bepalings van Artikel 57(1) van die Ordonnansie op Dorpsbeplanning en Dorpe 15 van 1986 en die Ruimtelike en Grondgebruiksbestuurswet 16 van 2013 (SPLUMA, 2013) en die Stadsraad van Matlosana se Ruimtelike en Grondgebruiksbestuursverordening, 2016, dat 'n wysigingskema, synde 'n wysiging van die Klerksdorp Grondgebruikbestuurskema, 2005, goedgekeur is deur die hersonering van Gedeelte 1 van Erf 6142, Jouberton, Uitbreiding 10 van "Publieke Oop Spasie" na "Institusioneel", Gedeeltes 2 tot 45 van Erf 6142, Jouberton, Uitbreiding 10 van "Publieke Oop Spasie" na "Residensieel 1" en Gedeeltes 47 tot 49 van Erf 6142, Jouberton, Uitbreiding 10 van "Publieke Oop Spasie" na "Bestaande Publieke Paaie".

Kaart 3 en die skemaklousules van die wysigingskema word in bewaring gehou deur die Munisipale Bestuurder, Klerksdorp en is beskikbaar vir inspeksie op alle redelike tye.

Hierdie wysiging staan bekend as Klerksdorp Grondgebruikbestuurskema 1477 en tree in werking van die datum van publikasie van hierdie kennisgewing.

Burgersentrum
KLERKSDORP
Kennisgewing nr: LUM40/2023
(13/1/8/478)

L SEAMETSO
MUNISIPALE BESTUURDER

3 August 2023

LOCAL AUTHORITY NOTICE 429 OF 2023**CITY COUNCIL OF MATLOSANA****APPROVAL OF AMENDMENT OF LAND USE MANAGEMENT SCHEME**

The City Council of Matlosana hereby in terms of the provisions of Section 57(1) of the Town-Planning and Townships Ordinance, 1986, the Spatial Planning and Land Use Management Act 16 of 2013 (SPLUMA, 2013) and the City of Matlosana Spatial Planning and Land Use Management By-Law, 2016, declares the approval of an amendment scheme being an amendment of the Klerksdorp Land Use Management Scheme, 2005, by the rezoning of Erf 11349, Erf 11351, Erf 11354 and Erf 11355 Kanana, Extension 10 from "Public Open Space" to "Residential 1" and Erf 11350 and Erf 11353, Kanana, Extension 10 from "Public Open Space" to "Institutional".

Map 3 and the scheme clauses of the amendment scheme are filed with the Municipal Manager, Klerksdorp and are open for inspection at all reasonable times.

This amendment is known as Klerksdorp Land Use Management Scheme 1478 and shall come into operation from the date of publication of this notice.

Civic Centre
KLERKSDORP
Notice No: LUM41/2023
(13/1/8/479)

L SEAMETSO
MUNICIPAL MANAGER

3 August 2023

PLAASLIKE OWERHEID KENNISGEWING 429 VAN 2023**STADSRAAD VAN MATLOSANA****GOEDKEURING VAN WYSIGING VAN GRONDGEBRUIKBESTUURSKEMA**

Die Stadsraad van Matlosana verklaar hierby ingevolge die bepalings van Artikel 57(1) van die Ordonnansie op Dorpsbeplanning en Dorpe, 1986, die Ruimtelike en Grondgebruiksbestuurswet 16 van 2013 (SPLUMA, 2013), en die Stadsraad van Matlosana se Ruimtelike en Grondgebruiksbestuursverordening, 2016, die goedkeuring van 'n wysigingskema, synde 'n wysiging van die Klerksdorp Grondgebruikbestuurskema, 2005, deur die hersonering van Erf 11349, Erf 11351, Erf 11354 en Erf 11355 Kanana, Uitbreiding 10 vanaf "Publieke Oop Spasie" na "Residensieel 1" en Erf 11350 en Erf 11353, Kanana, Uitbreiding 10 van "Publieke Oop Spasie" na "Institusioneel".

Kaart 3 en die skemaklousules van die wysigingskema word in bewaring gehou deur die Munisipale Bestuurder, Klerksdorp en is beskikbaar vir inspeksie op alle redelike tye.

Hierdie wysiging staan bekend as Klerksdorp Grondgebruikbestuurskema 1478 en tree in werking van die datum van publikasie van hierdie kennisgewing.

Burgersentrum
KLERKSDORP
Kennisgewing nr: LUM41/2023
(13/1/8/479)

L SEAMETSO
MUNISIPALE BESTUURDER

3 August 2023

LOCAL AUTHORITY NOTICE 430 OF 2023**CITY COUNCIL OF MATLOSANA****APPROVAL OF AMENDMENT OF LAND USE MANAGEMENT SCHEME**

The City Council of Matlosana hereby in terms of the provisions of Section 57(1) of the Town-Planning and Townships Ordinance, 1986 and the Spatial Planning and Land Use Management Act 16 of 2013 (SPLUMA, 2013), declares the approval of an amendment scheme being an amendment of the Klerksdorp Land Use Management Scheme, 2005, by the rezoning of Portion 1 and Portion 2 of Erf 1251, La Hoff from "Public Open Space" to "Residential 2" Portion 3 of Erf 1251, La Hoff from "Public Open Space" to "Municipal", Portions 1 to 15 of Erf 1253, La Hoff from "Public Open Space" to "Residential 1" and Portion 16 of Erf 1253, La Hoff from "Public Open Space" to "Municipal".

Map 3 and the scheme clauses of the amendment scheme are filed with the Municipal Manager, Klerksdorp and are open for inspection at all reasonable times.

This amendment is known as Klerksdorp Land Use Management Scheme 1479 and shall come from the date of publication of this notice.

Civic Centre
KLERKSDORP
Notice No: LUM42/2023
(13/1/8/480)

L SEAMETSO
MUNICIPAL MANAGER

3 August 2023

PLAASLIKE OWERHEID KENNISGEWING 430 VAN 2023**STADSRAAD VAN MATLOSANA****GOEDKEURING VAN WYSIGING VAN GRONDGEBRUIKBESTUURSKEMA**

Die Stadsraad van Matlosana verklaar hierby ingevolge die bepalings van Artikel 57(1) van die Ordonnansie op Dorpsbeplanning en Dorpe, 1986, en die Spatial Planning and Land Use Management Act 16 of 2013 (SPLUMA, 2013), die goedkeuring van 'n wysigingskema, synde 'n wysiging van die Klerksdorp Grondgebruikbestuurskema, 2005, deur die hersonering van Gedeelte 1 en Gedeelte 2 van Erf 1251, La Hoff van "Publieke Oop Spasie" na "Residensieel 2", Gedeelte 3 van Erf 1251, La Hoff van "Publieke Oop Spasie" na "Munisipaal", Gedeeltes 1 tot 15 van Erf 1253, La Hoff van "Publieke Oop Spasie" na "Residensieel 1" en Gedeelte 16 van Erf 1253, La Hoff van "Publieke Oop Spasie" na "Munisipaal".

Kaart 3 en die skemaklousules van die wysigingskema word in bewaring gehou deur die Munisipale Bestuurder, Klerksdorp en is beskikbaar vir inspeksie op alle redelike tye.

Hierdie wysiging staan bekend as Klerksdorp Grondgebruikbestuurskema 1479 en tree in werking van datum van publikasie van hierdie kennisgewing.

Burgersentrum
KLERKSDORP
Kennisgewing nr: LUM42/2023
(13/1/8/480)

L SEAMETSO
MUNISIPALE BESTUURDER

3 August 2023

LOCAL AUTHORITY NOTICE 431 OF 2023**CITY COUNCIL OF MATLOSANA****APPROVAL OF AMENDMENT OF LAND USE MANAGEMENT SCHEME**

The City Council of Matlosana hereby in terms of the provisions of Section 57(1) of the Town-Planning and Townships Ordinance, 1986, the Spatial Planning and Land Use Management Act 16 of 2013 (SPLUMA, 2013) and the City of Matlosana Spatial Planning and Land Use Management By-Law, 2016, declares the approval of an amendment scheme being an amendment of the Klerksdorp Land Use Management Scheme, 2005, by the rezoning of Erf 473, Wilkoppies, Extension 4 from "Residential 1" to "Special" for the purposes of professional offices, medical consultation rooms, place of instruction and related purposes and the simultaneous application for the removal, amendment or suspension of restrictive title conditions A.(g) on page 3, A.(i)(i-iii) on pages 3-4 and A.(j) on page 4 in Deed of Transfer T36558/2022.

Map 3 and the scheme clauses of the amendment scheme are filed with the Municipal Manager, Klerksdorp and are open for inspection at all reasonable times.

This amendment is known as Klerksdorp Land Use Management Scheme 1485 and shall come into operation from the date of publication of this notice.

Civic Centre
KLERKSDORP
Notice No: LUM19/2023
(13/1/8/486)

L SEAMETSO
MUNICIPAL MANAGER

23 May 2023

PLAASLIKE OWERHEID KENNISGEWING 431 VAN 2023**STADSRAAD VAN MATLOSANA****GOEDKEURING VAN WYSIGING VAN GRONDGEBRUIKBESTUURSKEMA**

Die Stadsraad van Matlosana verklaar hierby ingevolge die bepalings van Artikel 57(1) van die Ordonnansie op Dorpsbeplanning en Dorpe, 1986, die Ruimtelike en Grondgebruiksbestuurswet 16 van 2013 (SPLUMA, 2013), en die Stadsraad van Matlosana se Ruimtelike en Grondgebruiksbestuursverordening, 2016, die goedkeuring van 'n wysigingskema, synde 'n wysiging van die Klerksdorp Grondgebruikbestuurskema, 2005 deur die hersonering van 'n Erf 473, Wilkoppies, Uitbreiding 4 van "Residensieel 1" na "Spesiaal" vir die doeleindes van professionele kantore, mediese spreekkamers, plek van onderrig en verwante doeleindes en die gelyktydige aansoek vir die verwydering, verandering of opskorting van beperkende titelvoorwaardes A.(g) op bladsy 3, A.(i)(i-iii) op bladsy 3-4 en A.(j) op bladsy 4 in Titelakte T36558/2022.

Kaart 3 en die skemaklousules van die wysigingskema word in bewaring gehou deur die Munisipale Bestuurder, Klerksdorp en is beskikbaar vir inspeksie op alle redelike tye.

Hierdie wysiging staan bekend as Klerksdorp Grondgebruikbestuurskema 1485 en tree in werking van die datum van publikasie van hierdie kennisgewing.

Burgersentrum
KLERKSDORP
Kennisgewing nr: LUM19/2023
(13/1/8/486)

L SEAMETSO
MUNISIPALE BESTUURDER

23 Mei 2023

LOCAL AUTHORITY NOTICE 432 OF 2023**CITY COUNCIL OF MATLOSANA****APPROVAL OF AMENDMENT OF LAND USE MANAGEMENT SCHEME**

The City Council of Matlosana hereby in terms of the provisions of Section 57(1) of the Town-Planning and Townships Ordinance, 1986, the Spatial Planning and Land Use Management Act 16 of 2013 (SPLUMA, 2013) and the City of Matlosana Spatial Planning and Land Use Management By-Law, 2016, declares the approval of an amendment scheme being an amendment of the Klerksdorp Land Use Management Scheme, 2005, by the rezoning of a Portion of Erf 28510, Jouberton, Extension 24 from "Public Open Space" to "Special" for the purposes of public worship and related purposes with the consent of the Local Authority.

Map 3 and the scheme clauses of the amendment scheme are filed with the Municipal Manager, Klerksdorp and are open for inspection at all reasonable times.

This amendment is known as Klerksdorp Land Use Management Scheme 1486 and shall come into operation from the date of publication of this notice.

Civic Centre
KLERKSDORP
Notice No: LUM21/2023
(13/1/8/487)

L SEAMETSO
MUNICIPAL MANAGER

31 May 2023

PLAASLIKE OWERHEID KENNISGEWING 432 VAN 2023**STADSRAAD VAN MATLOSANA****GOEDKEURING VAN WYSIGING VAN GRONDGEBRUIKBESTUURSKEMA**

Die Stadsraad van Matlosana verklaar hierby ingevolge die bepalings van Artikel 57(1) van die Ordonnansie op Dorpsbeplanning en Dorpe, 1986, die Ruimtelike en Grondgebruikbestuurswet 16 van 2013 (SPLUMA, 2013), en die Stadsraad van Matlosana se Ruimtelike en Grondgebruikbestuursverordening, 2016, die goedkeuring van 'n wysiging van die Klerksdorp Grondgebruikbestuurskema, 2005, deur die hersonering van 'n Gedeelte van Erf 28510, Jouberton, Uitbreiding 24 van "Publieke Oop Spasie" na "Spesiaal" vir die doeleindes van openbare aanbidding en verwante doeleindes met die toestemming van die Plaaslike Owerheid.

Kaart 3 en die skemaklousules van die wysigingskema word in bewaring gehou deur die Munisipale Bestuurder, Klerksdorp en is beskikbaar vir inspeksie op alle redelike tye.

Hierdie wysiging staan bekend as Klerksdorp Grondgebruikbestuurskema 1486 en tree in werking van die datum van publikasie van hierdie kennisgewing.

Burgersentrum
KLERKSDORP
Kennisgewing nr: LUM21/2023
(13/1/8/487)

L SEAMETSO
MUNISIPALE BESTUURDER

31 Mei 2023

LOCAL AUTHORITY NOTICE 433 OF 2023**CITY COUNCIL OF MATLOSANA****APPROVAL OF AMENDMENT OF LAND USE MANAGEMENT SCHEME**

The City Council of Matlosana hereby in terms of the provisions of Section 57(1) of the Town-Planning and Townships Ordinance 15 of 1986, the Spatial Planning and Land Use Management Act 16 of 2013 (SPLUMA, 2013) and the City of Matlosana Spatial Planning and Land Use Management By-Law, 2016, declares the approval of an amendment scheme being an amendment of the Klerksdorp Land Use Management Scheme, 2005, by the rezoning of Erf 1611, Klerksdorp, Extension 8 from "Residential 1" to "Residential 1" for the purposes of a dental laboratory and the simultaneous application for the removal, amendment or suspension of restrictive title conditions B.(b) on page 4, B.(h) on page 5, B.(j)(i-ii) on page 5 and B.(o) on page 6 in Title Deed T71807/1999.

Map 3 and the scheme clauses of the amendment scheme are filed with the Municipal Manager, Klerksdorp and are open for inspection at all reasonable times.

This amendment is known as Klerksdorp Land Use Management Scheme 1487 and shall come into operation from the date of publication of this notice.

Civic Centre
KLERKSDORP
Notice No: LUM18/2023
(13/1/8/488)

L SEAMETSO
MUNICIPAL MANAGER

22 May 2023

PLAASLIKE OWERHEID KENNISGEWING 433 VAN 2023**STADSRAAD VAN MATLOSANA****GOEDKEURING VAN WYSIGING VAN GRONDGEBRUIKBESTUURSKEMA**

Die Stadsraad van Matlosana verklaar hierby ingevolge die bepalings van Artikel 57(1) van die Ordonnansie op Dorpsbeplanning en Dorpe 15 van 1986, die Ruimtelike en Grondgebruiksbestuurswet 16 van 2013 (SPLUMA, 2013) en die Stadsraad van Matlosana se Ruimtelike en Grondgebruiksbestuursverordening, 2016, die goedkeuring van n wysiging van die Klerksdorp Grondgebruikbestuurskema, 2005, deur die hersonering van Erf 1161, Klerksdorp, Uitbreiding 8 van "Residensieel 1" na "Residensieel 1" vir die doeleindes van tandheelkundige laboratorium en die gelyktydige aansoek vir die verwydering, verandering of opskorting van beperkende titlelvoorwaardes B.(b) op bladsy 4, B.(h) op bladsy 5, B.(j)(i-ii) op bladsy 5 en B.(o) op bladsy 6 in Titelakte T71807/1999.

Kaart 3 en die skemaklousules van die wysigingskema word in bewaring gehou deur die Munisipale Bestuurder, Klerksdorp en is beskikbaar vir inspeksie op alle redelike tye.

Hierdie wysiging staan bekend as Klerksdorp Grondgebruikbestuurskema 1487 tree in werking van die datum van publikasie van hierdie kennisgewing.

Burgersentrum
KLERKSDORP
Kennisgewing nr: LUM18/2023
(13/1/8/488)

L SEAMETSO
MUNISIPALE BESTUURDER

22 Mei 2023

LOCAL AUTHORITY NOTICE 434 OF 2023**CITY COUNCIL OF MATLOSANA****APPROVAL OF AMENDMENT OF LAND USE MANAGEMENT SCHEME**

The City Council of Matlosana has terms of the provisions of Section 57(1) of the Town Planning and Townships Ordinance, 1986, the Spatial Planning and Land Use Management Act 16 of 2013 (SPLUMA, 2013) and the City of Matlosana Spatial Planning and Land Use Management By-Law, 2016, declared the approval of an amendment scheme being an amendment of the Klerksdorp Land Use Management Scheme, 2005, by the rezoning of Erf 678, Flamwood, Extension 2 from "Business 2" to "Residential 1".

Map 3 and the scheme clauses of the amendment scheme are filed with the Municipal Manager, Klerksdorp and are open for inspection at all reasonable times.

This amendment is known as Klerksdorp Land Use Management Scheme 1489 and shall come into operation from the date of publication of this notice.

Civic Centre
KLERKSDORP
Notice No: LUM LUM20/2023
(13/1/8/490)

L SEAMETSO
MUNICIPAL MANAGER

29 May 2023

PLAASLIKE OWERHEID KENNISGEWING 434 VAN 2023**STADSRAAD VAN MATLOSANA****GOEDKEURING VAN WYSIGING VAN GRONDGEBRUIKBESTUURSKEMA**

Die Stadsraad van Matlosana het ingevolge die bepalings van Artikel 57(1) van die Ordonnansie op Dorpsbeplanning en Dorpe, 1986, die Ruimtelike en Grondgebruiksbestuurswet 16 van 2013 (SPLUMA, 2013) en die Stadsraad van Matlosana se Ruimtelike en Grondgebruiksbestuursverordening, 2016, 'n wysiging van die Klerksdorp Grondgebruikbestuurskema, 2005, deur die hersonering van Erf 678, Flamwood, Uitbreiding 2 van "Besigheid 2" na "Residensieel 1".

Kaart 3 en die skemaklousules van die wysigingskema word in bewaring gehou deur die Munisipale Bestuurder, Klerksdorp en is beskikbaar vir inspeksie op alle redelike tye.

Hierdie wysiging staan bekend as Klerksdorp Grondgebruikbestuurskema 1489 en tree in werking van die datum van publikasie van hierdie kennisgewing.

Burgersentrum
KLERKSDORP
Kennisgewing nr: LUM20/2023
(13/1/8/490)

L SEAMETSO
MUNISIPALE BESTUURDER

29 Mei 2023

LOCAL AUTHORITY NOTICE 435 OF 2023**CITY COUNCIL OF MATLOSANA****APPROVAL OF AMENDMENT OF LAND USE MANAGEMENT SCHEME**

The City Council of Matlosana hereby in terms of the provisions of Section 57(1) of the Town Planning and Townships Ordinance 15 of 1986 and the Spatial Planning and Land Use Management Act 16 of 2013 (SPLUMA, 2013) and the City of Matlosana Spatial Planning and Land Use Management By-Law, 2016, declares the approval of an amendment scheme being an amendment of the Klerksdorp Land Use Management Scheme, 2005, by the rezoning of Erf 121, Flamwood from "Residential 1" to "Residential 2" with a density of fifteen (15) dwelling units and the simultaneous application for the removal, amendment or suspension of restrictive title conditions A.(b) on page 2, B.(a) on page 3, B.(c)(i-iii) on page 3 and B.(d) on page 3 in Deed of Transfer T5685/2023.

Map 3 and the scheme clauses of the amendment scheme are filed with the Municipal Manager, Klerksdorp and are open for inspection at all reasonable times.

This amendment is known as Klerksdorp Land Use Management Scheme 1490 and shall come into operation from the date of publication of this notice.

Civic Centre
KLERKSDORP
Notice No: LUM22/2023
(13/1/8/491)

L SEAMETSO
MUNICIPAL MANAGER

19 June 2023

PLAASLIKE OWERHEID KENNISGEWING 435 VAN 2023**STADSRAAD VAN MATLOSANA****GOEDKEURING VAN WYSIGING VAN GRONDGEBRUIKBESTUURSKEMA**

Die Stadsraad van Matlosana verklaar hierby ingevolge die bepalings van Artikel 57(1) van die Ordonnansie op Dorpsbeplanning en Dorpe 15 van 1986 en die Ruimtelike en Grondgebruiksbestuurswet 16 van 2013 (SPLUMA, 2013) en die Stadsraad van Matlosana se Ruimtelike en Grondgebruiksbestuursverordening, 2016, die goedkeuring van 'n wysigingskema, synde 'n wysiging van die Klerksdorp Grondgebruikbestuurskema, 2005, deur die hersonering van Erf 121, Flamwood van "Residensieel 1" na "Residensieel 2" met 'n digtheid van vyftien (15) wooneenhede en die gelyktydige aansoek vir die verwydering, verandering of opskorting van beperkende titelvoorwaardes A.(b) op bladsy 2, B.(a) op bladsy 3, B.(c)(i-iii) op bladsy 3 en B.(d) op bladsy 3 in Titelakte T5685/2023.

Kaart 3 en die skemaklousules van die wysigingskema word in bewaring gehou deur die Munisipale Bestuurder, Klerksdorp en is beskikbaar vir inspeksie op alle redelike tye.

Hierdie wysiging staan bekend as Klerksdorp Grondgebruikbestuurskema 1490 en tree in werking van die datum van publikasie van hierdie kennisgewing.

Burgersentrum
KLERKSDORP
Kennisgewing nr: LUM22/2023
(13/1/8/491)

L SEAMETSO
MUNISIPALE BESTUURDER

19 Junie 2023

LOCAL AUTHORITY NOTICE 436 OF 2023**CITY COUNCIL OF MATLOSANA****APPROVAL OF AMENDMENT OF LAND USE MANAGEMENT SCHEME**

The City Council of Matlosana hereby in terms of the provisions of Section 57(1) of the Town-Planning and Townships Ordinance, 1986, the Spatial Planning and Land Use Management Act 16 of 2013 (SPLUMA, 2013) and the City of Matlosana Spatial Planning and Land Use Management By-Law, 2016, declares the approval of an amendment scheme being an amendment of the Klerksdorp Land Use Management Scheme, 2005, by the rezoning of a Portion of the Remainder of Portion 1 of the Farm Townlands 424IP from "Public Open Space" to "Business 1" for the purposes of the wholesale distribution of hardware products.

Map 3 and the scheme clauses of the amendment scheme are filed with the Municipal Manager, Klerksdorp and are open for inspection at all reasonable times.

This amendment is known as Klerksdorp Land Use Management Scheme 1492 and shall come into operation from the date of publication of this notice.

Civic Centre
KLERKSDORP
Notice No: LUM43/2023
(13/1/8/493)

L SEAMETSO
MUNICIPAL MANAGER

15 August 2023

PLAASLIKE OWERHEID KENNISGEWING 436 VAN 2023**STADSRAAD VAN MATLOSANA****GOEDKEURING VAN WYSIGING VAN GRONDGEBRUIKBESTUURSKEMA**

Die Stadsraad van Matlosana verklaar hierby ingevolge die bepalings van Artikel 57(1) van die Ordonnansie op Dorpsbeplanning en Dorpe, 1986, die Ruimtelike en Grondgebruiksbestuurswet 16 van 2013 (SPLUMA, 2013), en die Stadsraad van Matlosana se Ruimtelike en Grondgebruiksbestuursverordening, 2016, die goedkeuring van 'n wysigingskema, synde 'n wysiging van die Klerksdorp Grondgebruikbestuurskema, 2005 deur die hersonering van 'n Gedeelte van die Restant van Gedeelte 1 van die Plaas Townlands 424IP van "Publieke Oop Spasie" na "Besigheid 1" vir die doeleindes van die grootmaatverspreiding van hardware produkte.

Kaart 3 en die skemaklousules van die wysigingskema word in bewaring gehou deur die Munisipale Bestuurder, Klerksdorp en is beskikbaar vir inspeksie op alle redelike tye.

Hierdie wysiging staan bekend as Klerksdorp Grondgebruikbestuurskema 1492 en tree in werking van die datum van publikasie van hierdie kennisgewing.

Burgersentrum
KLERKSDORP
Kennisgewing nr: LUM43/2023
(13/1/8/493)

L SEAMETSO
MUNISIPALE BESTUURDER

15 Augustus 2023

LOCAL AUTHORITY NOTICE 437 OF 2023**CITY COUNCIL OF MATLOSANA****APPROVAL OF AMENDMENT OF LAND USE MANAGEMENT SCHEME**

The City Council of Matlosana hereby in terms of the provisions of Section 57(1) of the Town Planning and Townships Ordinance 15 of 1986 and the Spatial Planning and Land Use Management Act 16 of 2013 (SPLUMA, 2013) and the City of Matlosana Spatial Planning and Land Use Management By-Law, 2016, declares the approval of an amendment scheme being an amendment of the Klerksdorp Land Use Management Scheme, 2005, by the rezoning of Erf 382, Meiringspark from "Residential 1" to "Special" for the purposes of a dwelling unit, guesthouse and car wash.

Map 3 and the scheme clauses of the amendment scheme are filed with the Municipal Manager, Klerksdorp and are open for inspection at all reasonable times.

This amendment is known as Klerksdorp Land Use Management Scheme 1493 and shall come into operation from the date of publication of this notice.

Civic Centre
KLERKSDORP
Notice No: LUM25/2023
(13/1/8/494)

L SEAMETSO
MUNICIPAL MANAGER

3 July 2023

PLAASLIKE OWERHEID KENNISGEWING 437 VAN 2023**STADSRAAD VAN MATLOSANA****GOEDKEURING VAN WYSIGING VAN GRONDGEBRUIKBESTUURSKEMA**

Die Stadsraad van Matlosana verklaar hierby ingevolge die bepalings van Artikel 57(1) van die Ordonnansie op Dorpsbeplanning en Dorpe 15 van 1986 en die Ruimtelike en Grondgebruiksbestuurswet 16 van 2013 (SPLUMA, 2013) en die Stadsraad van Matlosana se Ruimtelike en Grondgebruiksbestuursverordening, 2016, die goedkeuring van 'n wysigingskema, synde 'n wysiging van die Klerksdorp Grondgebruikbestuurskema, 2005, deur die hersonering van Erf 382, Meiringspark van "Residensieel 1" na "Spesiaal" vir die doeleindes van 'n wooneenheid, gastehuis en karwas.

Kaart 3 en die skemaklousules van die wysigingskema word in bewaring gehou deur die Munisipale Bestuurder, Klerksdorp en is beskikbaar vir inspeksie op alle redelike tye.

Hierdie wysiging staan bekend as Klerksdorp Grondgebruikbestuurskema 1493 en tree in werking van die datum van publikasie van hierdie kennisgewing.

Burgersentrum
KLERKSDORP
Kennisgewing nr: LUM25/2023
(13/1/8/494)

L SEAMETSO
MUNISIPALE BESTUURDER

3 Julie 2023

LOCAL AUTHORITY NOTICE 438 OF 2023**CITY COUNCIL OF MATLOSANA****APPROVAL OF AMENDMENT OF LAND USE MANAGEMENT SCHEME**

The City Council of Matlosana hereby in terms of the provisions of Section 57(1) of the Town-Planning and Townships Ordinance, 1986, the Spatial Planning and Land Use Management Act 16 of 2013 (SPLUMA, 2013) and the City of Matlosana Spatial Planning and Land Use Management By-Law, 2016, declares the approval of an amendment scheme being an amendment of the Klerksdorp Land Use Management Scheme, 2005, by the rezoning of Erf 194, Elandia, Extension 4 from "Residential 1" to "Residential 2" with a density of five (5) additional dwelling units and the simultaneous application for the removal, amendment or suspension of restrictive title conditions A.(g) on page 3, A.(i) on pages 3-4, A.(j) on page 4 and A.(o)(ii) on page 5 in Deed of Transfer T47757/2022.

Map 3 and the scheme clauses of the amendment scheme are filed with the Municipal Manager, Klerksdorp and are open for inspection at all reasonable times.

This amendment is known as Klerksdorp Land Use Management Scheme 1494 and shall come into operation from the date of publication of this notice.

Civic Centre
KLERKSDORP
Notice No: LUM27/2023
(13/1/8/495)

L SEAMETSO
MUNICIPAL MANAGER

6 July 2023

PLAASLIKE OWERHEID KENNISGEWING 438 VAN 2023**STADSRAAD VAN MATLOSANA****GOEDKEURING VAN WYSIGING VAN GRONDGEBRUIKBESTUURSKEMA**

Die Stadsraad van Matlosana verklaar hierby ingevolge die bepalings van Artikel 57(1) van die Ordonnansie op Dorpsbeplanning en Dorpe, 1986, die Ruimtelike en Grondgebruiksbestuurswet 16 van 2013 (SPLUMA, 2013), en die Stadsraad van Matlosana se Ruimtelike en Grondgebruiksbestuursverordening, 2016, die goedkeuring van 'n wysigingskema, synde 'n wysiging van die Klerksdorp Grondgebruikbestuurskema, 2005 deur die hersonering van Erf 194, Elandia, Uitbreiding 4 van "Residensieel 1" na "Residensieel 2" met 'n digtheid van vyf (5) addisionele wooneenhede en die gelyktydige aansoek vir die verwydering, verandering of opskorting van beperkende titelvoorwaardes A.(g) op bladsy 3, A.(i) op bladsye 3-4, A.(j) op bladsy 4 en A.(o)(ii) op bladsy 5 in Titelakte T47757/2022.

Kaart 3 en die skemaklousules van die wysigingskema word in bewaring gehou deur die Munisipale Bestuurder, Klerksdorp en is beskikbaar vir inspeksie op alle redelike tye.

Hierdie wysiging staan bekend as Klerksdorp Grondgebruikbestuurskema 1494 en tree in werking van die datum van publikasie van hierdie kennisgewing.

Burgersentrum
KLERKSDORP
Kennisgewing nr: LUM27/2023
(13/1/8/495)

L SEAMETSO
MUNISIPALE BESTUURDER

6 Julie 2023

LOCAL AUTHORITY NOTICE 439 OF 2023**CITY COUNCIL OF MATLOSANA****APPROVAL OF AMENDMENT OF LAND USE MANAGEMENT SCHEME**

The City Council of Matlosana hereby in terms of the provisions of Section 57(1) of the Town-Planning and Townships Ordinance, 1986, the Spatial Planning and Land Use Management Act 16 of 2013 (SPLUMA, 2013) and the City of Matlosana Spatial Planning and Land Use Management By-Law, 2016, declares the approval of an amendment scheme being an amendment of the Klerksdorp Land Use Management Scheme, 2005, by the rezoning of Erf 382, Flamwood, Extension 1 from "Residential 1" to "Special" for the purposes of offices, shops (delicatessen, teagarden upholstery) and a dwelling unit and the simultaneous application for the removal, amendment or suspension of restrictive title conditions C.(a) on page 4, C.(c)(1-2) on page 5 and C.(d) on page 5 in Deed of Transfer T144938/1998.

Map 3 and the scheme clauses of the amendment scheme are filed with the Municipal Manager, Klerksdorp and are open for inspection at all reasonable times.

This amendment is known as Klerksdorp Land Use Management Scheme 1495 and shall come into operation from the date of publication of this notice.

Civic Centre
KLERKSDORP
Notice No: LUM28/2023
(13/1/8/496)

L SEAMETSO
MUNICIPAL MANAGER

21 July 2023

PLAASLIKE OWERHEID KENNISGEWING 439 VAN 2023**STADSRAAD VAN MATLOSANA****GOEDKEURING VAN WYSIGING VAN GRONDGEBRUIKBESTUURSKEMA**

Die Stadsraad van Matlosana verklaar hierby ingevolge die bepalings van Artikel 57(1) van die Ordonnansie op Dorpsbeplanning en Dorpe, 1986, die Ruimtelike en Grondgebruiksbestuurswet 16 van 2013 (SPLUMA, 2013), en die Stadsraad van Matlosana se Ruimtelike en Grondgebruiksbestuursverordening, 2016, die goedkeuring van 'n wysigingskema, synde 'n wysiging van die Klerksdorp Grondgebruikbestuurskema, 2005 deur die hersonering van Erf 382, Flamwood, Uitbreiding 1 van "Residensieel 1" na "Spesiaal" vir die doeleindes van kantore, winkels (delikatesses, teetuin, stoffeerdery) en 'n wooneenheid en die gelyktydige aansoek vir die verwydering, verandering of opskorting van beperkende titelvoorwaardes C.(a) op bladsy 4, C.(c)(1-2) op bladsy 5 en C.(d) op bladsy 5 in Titelakte T144938/1998.

Kaart 3 en die skemaklousules van die wysigingskema word in bewaring gehou deur die Munisipale Bestuurder, Klerksdorp en is beskikbaar vir inspeksie op alle redelike tye.

Hierdie wysiging staan bekend as Klerksdorp Grondgebruikbestuurskema 1495 en tree in werking van die datum van publikasie van hierdie kennisgewing.

Burgersentrum
KLERKSDORP
Kennisgewing nr: LUM28/2023
(13/1/8/496)

L SEAMETSO
MUNISIPALE BESTUURDER

21 Julie 2023

LOCAL AUTHORITY NOTICE 440 OF 2023**CITY COUNCIL OF MATLOSANA****APPROVAL OF AMENDMENT OF LAND USE MANAGEMENT SCHEME**

The City Council of Matlosana hereby in terms of the provisions of Section 57(1) of the Town-Planning and Townships Ordinance, 1986, the Spatial Planning and Land Use Management Act 16 of 2013 (SPLUMA, 2013) and the City of Matlosana Spatial Planning and Land Use Management By-Law, 2016, declares the approval of an amendment scheme being an amendment of the Klerksdorp Land Use Management Scheme, 2005, by the rezoning of Erf 20 and Erf 21, Stilfontein from "Residential 1 to "Business 2" and the simultaneous application for the removal, amendment or suspension of restrictive title conditions A.(i) on pages 3-4 , A.(k)(i-ii) on page 4 and A.(l) on page 4 in Deed of Transfer T11108/2023 (Erf 20, Stilfontein) and the simultaneous application for the removal, amendment or suspension of restrictive title conditions A.(i) on page 4, A.(k)(i-ii) on pages 4-5 and A.(l) on page 5 in Deed of Transfer T42111/2019 (Erf 21, Stilfontein).

Map 3 and the scheme clauses of the amendment scheme are filed with the Municipal Manager, Klerksdorp and are open for inspection at all reasonable times.

This amendment is known as Klerksdorp Land Use Management Scheme 1496 and shall come into operation from the date of publication of this notice.

Civic Centre
KLERKSDORP
Notice No: LUM24/2023
(13/1/8/497)

L SEAMETSO
MUNICIPAL MANAGER

10 July 2023

PLAASLIKE OWERHEID KENNISGEWING 440 VAN 2023**STADSRAAD VAN MATLOSANA****GOEDKEURING VAN WYSIGING VAN GRONDGEBRUIKBESTUURSKEMA**

Die Stadsraad van Matlosana verklaar hierby ingevolge die bepalings van Artikel 57(1) van die Ordonnansie op Dorpsbeplanning en Dorpe, 1986, die Ruimtelike en Grondgebruiksbestuurswet 16 van 2013 (SPLUMA, 2013), en die Stadsraad van Matlosana se Ruimtelike en Grondgebruiksbestuursverordening, 2016, die goedkeuring van 'n wysigingskema, synde 'n wysiging van die Klerksdorp Grondgebruikbestuurskema, 2005 deur die hersonering van Erf 20 en Erf 21, Stilfontein van "Residensieel 1" na "Besigheid 2" en die gelyktydige aansoek vir die verwydering, verandering of opskorting van beperkende titelvoorwaardes A.(i) op bladsye 3-4, A.(k)(i-ii) op bladsy 4 en A.(l) op bladsy 4 in Titelakte T11108/2023 (Erf 20, Stilfontein) en die gelyktydige aansoek vir die verwydering, verandering of opskorting van beperkende titelvoorwaardes A.(i) op bladsy 4, A.(k)(i-ii) op bladsye 4-5 en A.(l) op bladsy 5 in Titelakte T42111/2019 (Erf 21, Stilfontein).

Kaart 3 en die skemaklousules van die wysigingskema word in bewaring gehou deur die Munisipale Bestuurder, Klerksdorp en is beskikbaar vir inspeksie op alle redelike tye.

Hierdie wysiging staan bekend as Klerksdorp Grondgebruikbestuurskema 1496 en tree in werking van die datum van publikasie van hierdie kennisgewing.

Burgersentrum
KLERKSDORP
Kennisgewing nr: LUM24/2023
(13/1/8/497)

L SEAMETSO
MUNISIPALE BESTUURDER

10 Julie 2023

LOCAL AUTHORITY NOTICE 441 OF 2023**CITY COUNCIL OF MATLOSANA****APPROVAL OF AMENDMENT OF LAND USE MANAGEMENT SCHEME**

The City Council of Matlosana hereby in terms of the provisions of Section 57(1) of the Town-Planning and Townships Ordinance, 1986, the Spatial Planning and Land Use Management Act 16 of 2013 (SPLUMA, 2013) and the City of Matlosana Spatial Planning and Land Use Management By-Law, 2016, declares the approval of an amendment scheme being an amendment of the Klerksdorp Land Use Management Scheme, 2005, by the rezoning of a Portion of the Remainder of Portion 15 of the Farm Wildebeestpan 442IP from "Agricultural" to "Business 1".

Map 3 and the scheme clauses of the amendment scheme are filed with the Municipal Manager, Klerksdorp and are open for inspection at all reasonable times.

This amendment is known as Klerksdorp Land Use Management Scheme 1497 and shall come into operation from the date of publication of this notice.

Civic Centre
KLERKSDORP
Notice No: LUM39/2023
(13/1/8/498)

L SEAMETSO
MUNICIPAL MANAGER

7 August 2023

PLAASLIKE OWERHEID KENNISGEWING 441 VAN 2023**STADSRAAD VAN MATLOSANA****GOEDKEURING VAN WYSIGING VAN GRONDGEBRUIKBESTUURSKEMA**

Die Stadsraad van Matlosana verklaar hierby ingevolge die bepalings van Artikel 57(1) van die Ordonnansie op Dorpsbeplanning en Dorpe, 1986, die Ruimtelike en Grondgebruiksbestuurswet 16 van 2013 (SPLUMA, 2013), en die Stadsraad van Matlosana se Ruimtelike en Grondgebruiksbestuursverordening, 2016, die goedkeuring van 'n wysigingskema, synde 'n wysiging van die Klerksdorp Grondgebruikbestuurskema, 2005 deur die hersonering van 'n Gedeelte van die Restant van Gedeelte 15 van die Plaas Wildebeestpan 442IP van "Landbou" na "Besigheid 1".

Kaart 3 en die skemaklousules van die wysigingskema word in bewaring gehou deur die Munisipale Bestuurder, Klerksdorp en is beskikbaar vir inspeksie op alle redelike tye.

Hierdie wysiging staan bekend as Klerksdorp Grondgebruikbestuurskema 1497 en tree in werking van die datum van publikasie van hierdie kennisgewing.

Burgersentrum
KLERKSDORP
Kennisgewing nr: LUM39/2023
(13/1/8/498)

L SEAMETSO
MUNISIPALE BESTUURDER

7 Augustus 2023

LOCAL AUTHORITY NOTICE 442 OF 2023**CITY COUNCIL OF MATLOSANA****APPROVAL OF AMENDMENT OF LAND USE MANAGEMENT SCHEME**

The City Council of Matlosana hereby in terms of the provisions of Section 57(1) of the Town-Planning and Townships Ordinance, 1986, the Spatial Planning and Land Use Management Act 16 of 2013 (SPLUMA, 2013) and the City of Matlosana Spatial Planning and Land Use Management By-Law, 2016, declares the approval of an amendment scheme being an amendment of the Klerksdorp Land Use Management Scheme, 2005, by the rezoning of Erf 45, Flamwood from "Residential 1" to "Special" for the purposes of offices, medical consultation rooms, related shops and a dwelling unit and the simultaneous application for the removal, amendment or suspension of restrictive title conditions B.(a) on pages 3-4, B.(c)(i-iii) on page 4 and B.(d) on page 4 in Deed of Transfer T80679/2022.

Map 3 and the scheme clauses of the amendment scheme are filed with the Municipal Manager, Klerksdorp and are open for inspection at all reasonable times.

This amendment is known as Klerksdorp Land Use Management Scheme 1499 and shall come into operation from the date of publication of this notice.

Civic Centre
KLERKSDORP
Notice No: LUM29/2023
(13/1/8/500)

L SEAMETSO
MUNICIPAL MANAGER

21 July 2023

PLAASLIKE OWERHEID KENNISGEWING 442 VAN 2023**STADSRAAD VAN MATLOSANA****GOEDKEURING VAN WYSIGING VAN GRONDGEBRUIKBESTUURSKEMA**

Die Stadsraad van Matlosana verklaar hierby ingevolge die bepalings van Artikel 57(1) van die Ordonnansie op Dorpsbeplanning en Dorpe, 1986, die Ruimtelike en Grondgebruiksbestuurswet 16 van 2013 (SPLUMA, 2013), en die Stadsraad van Matlosana se Ruimtelike en Grondgebruiksbestuursverordening, 2016, die goedkeuring van 'n wysigingskema, synde 'n wysiging van die Klerksdorp Grondgebruikbestuurskema, 2005 deur die hersonering van Erf 45, Flamwood van "Residensieel 1" na "Spesiaal" vir die doeleindes van kantore, mediese konsultasiekamers, verwante winkels en 'n wooneenheid en die gelyktydige aansoek vir die verwydering, verandering of opskorting van beperkende titelvoorwaardes B.(a) op bladsye 3-4, B.(c)(i-iii) op bladsy 4 en B.(d) op bladsy 4 in Titelakte T80679/2022.

Kaart 3 en die skemaklousules van die wysigingskema word in bewaring gehou deur die Munisipale Bestuurder, Klerksdorp en is beskikbaar vir inspeksie op alle redelike tye.

Hierdie wysiging staan bekend as Klerksdorp Grondgebruikbestuurskema 1499 en tree in werking van die datum van publikasie van hierdie kennisgewing.

Burgersentrum
KLERKSDORP
Kennisgewing nr: LUM29/2023
(13/1/8/500)

L SEAMETSO
MUNISIPALE BESTUURDER

21 Julie 2023

Printed by and obtainable from the Government Printer, Bosman Street, Private Bag X85, Pretoria, 0001.
Contact Centre Tel: 012-748 6200. eMail: info.egazette@gpw.gov.za
Publications: Tel: (012) 748 6053, 748 6061, 748 6065
Also available at the **North-West Province**, Private Bag X2036, Mmabatho, 8681. Tel. (0140) 81-0121.